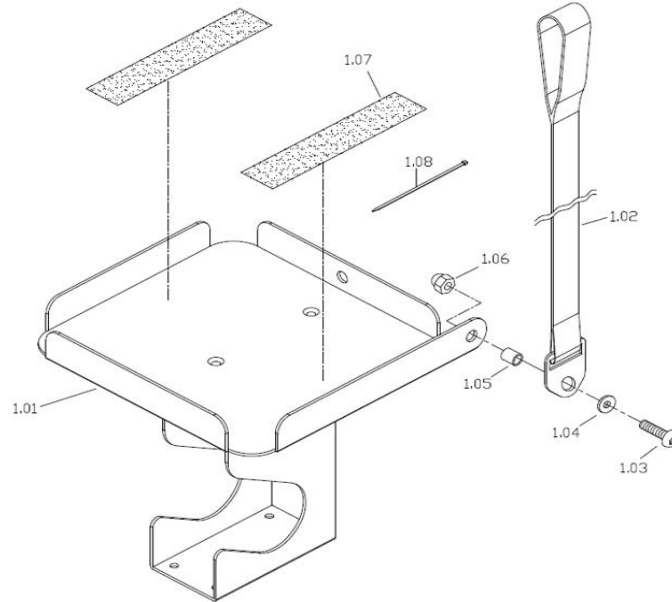


CE-D09-0811-09 Spare parts list



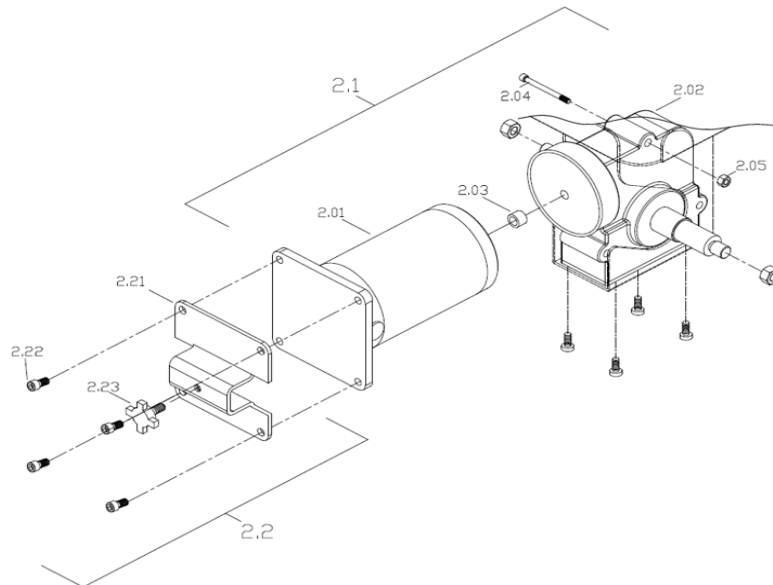
Identification number: TCF-VOMNL-0811-09
 Product group: Power pack
 Productname: Excel Click & Go Lite / P001B
 Batchnumber: from 3601 to 4075

Motor frame assembly



Drawing No.	Item No.	Description	Price
1.01	93811555	Chassis	
1.02 t/m 1.06	93811420	Release cord	
1.07	93811445	Klittenband M	
1.07 & 1.08	-	Not available as spare part	

Transaxle assembly



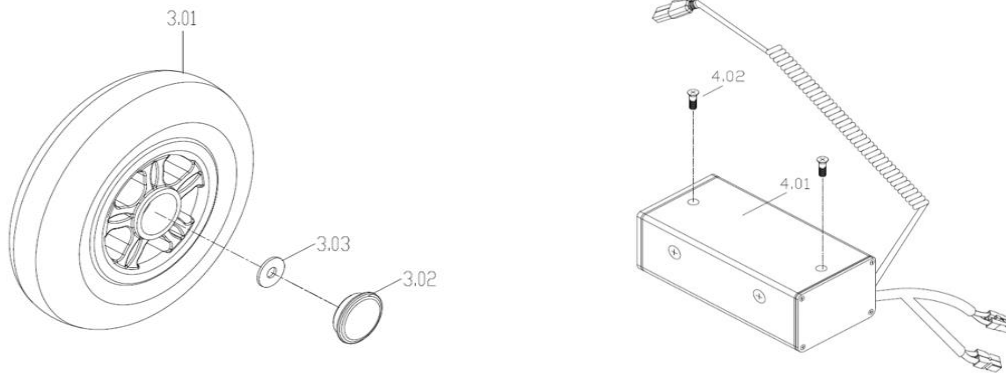
Drawing No.	Item No.	Description	Price
2.1	93811110	Transaxle and motor complete (M750BA)	
2.2	93811460	Mounting plate incl star knob for mounting tube	
2.01	93811120	Motor complete M7BA	
2.02	93811115	Transaxle	
2.04	93811125	Motor coupling (MP10)	
2.04 t/m 2.22	-	Not available as spare part	
-	93811002	Koolborstel incl. houder (set 2 stuks)	
2.23	93811927	Starknob	

CE-D09-0811-09 Spare parts list



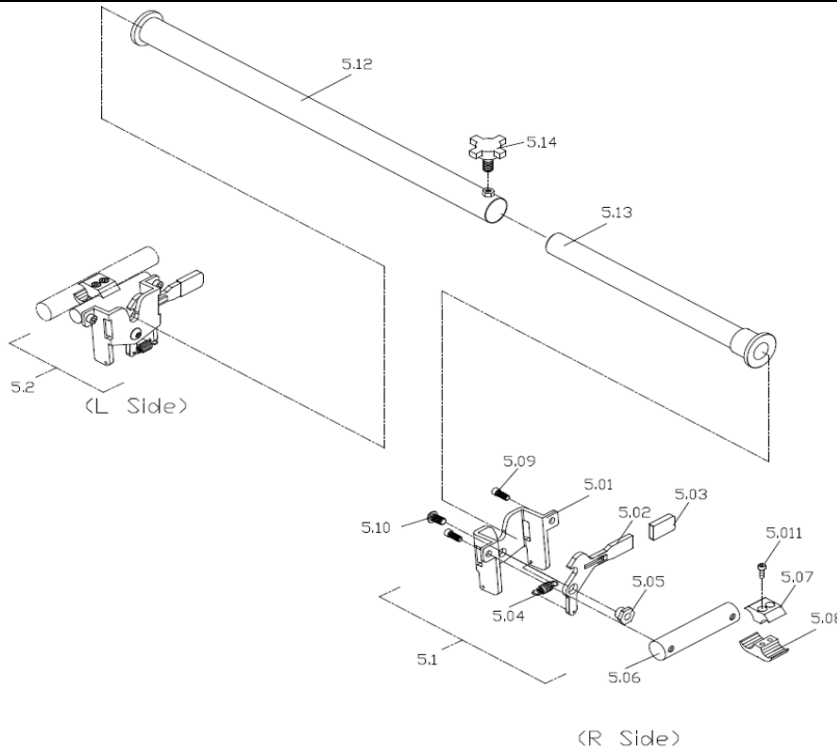
Identification number: TCF-VOMNL-0811-09
 Product group: Power pack
 Productname: Excel Click & Go Lite / P001B
 Batchnumber: from 3601 to 4075

Drive wheel + Lower controller



Drawing No.	Item No.	Description	Price
3.01	93811180	Tire, PU, Mag wheel, Drive wheel LEFT	
	93811181	Tire, PU, Mag wheel, Drive wheel RIGHT	
3.02 & 3.03	-	Not available as spare part	
4.01 & 4.02	98111000	Lower control box	

Motor support frame assembly



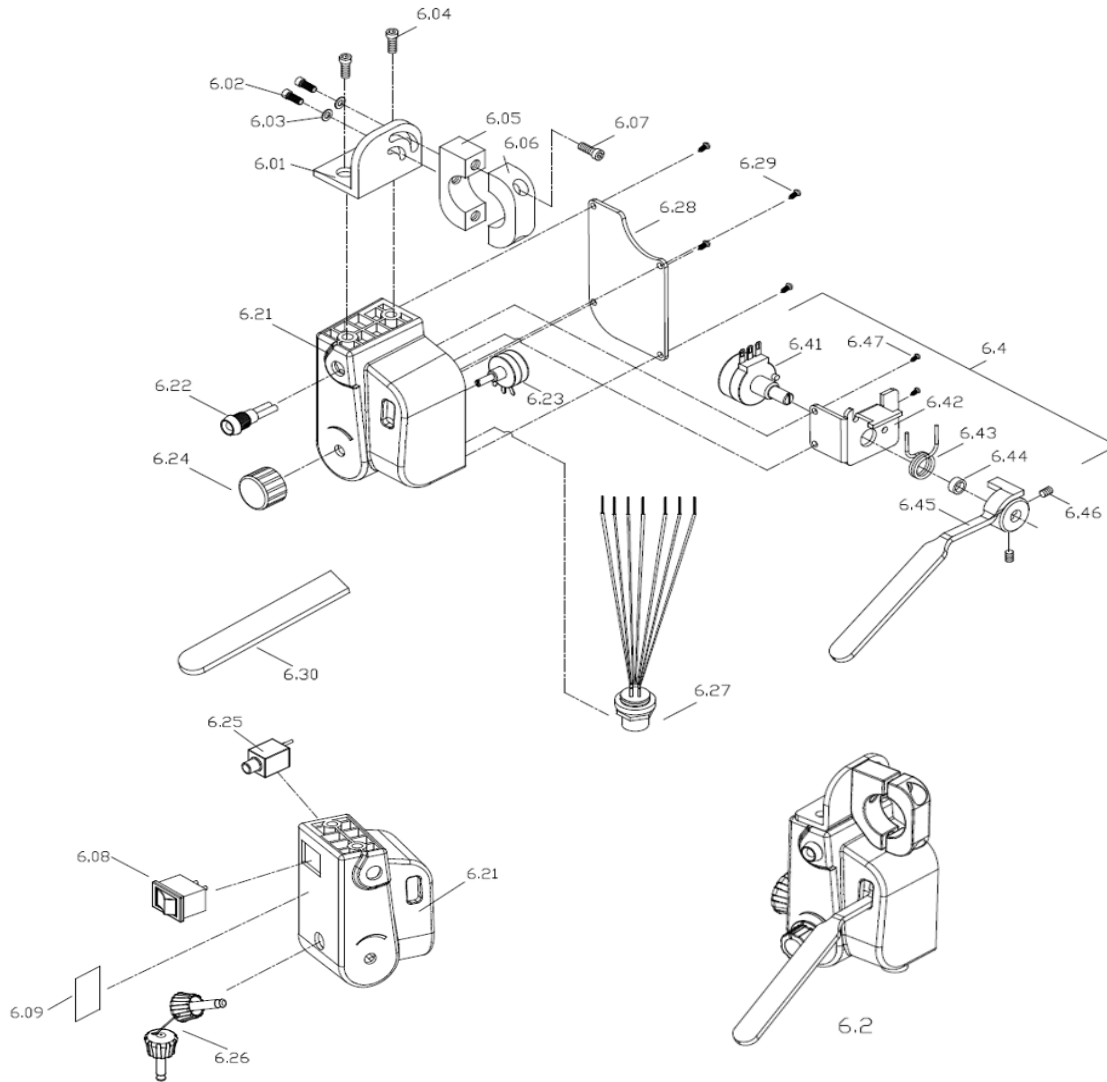
Drawing No.	Item No.	Description	Price
5.1	93811856	Locking mechanism RIGHT	
5.2	93811855	Locking mechanism LEFT	
5.01 to 5.03	-	Not available as spare part	
5.04	93810937	Spring for release mechanism	
5.05 to 5.06	-	Not available as spare part	
5.07 to 5.011	39900232	Mounting plates set for 22 mm tube	
	39900231	Mounting plates set for 25 mm tube	
5.12 t/m 15.14	93811450	Tube complete with starknob	
5.14	93811927	Starknob	

CE-D09-0811-09 Spare parts list



Identification number: TCF-VOMNL-0811-09
 Product group: Power pack
 Productname: Excel Click & Go Lite / P001B
 Batchnumber: from 3601 to 4075

Upper controller assembly



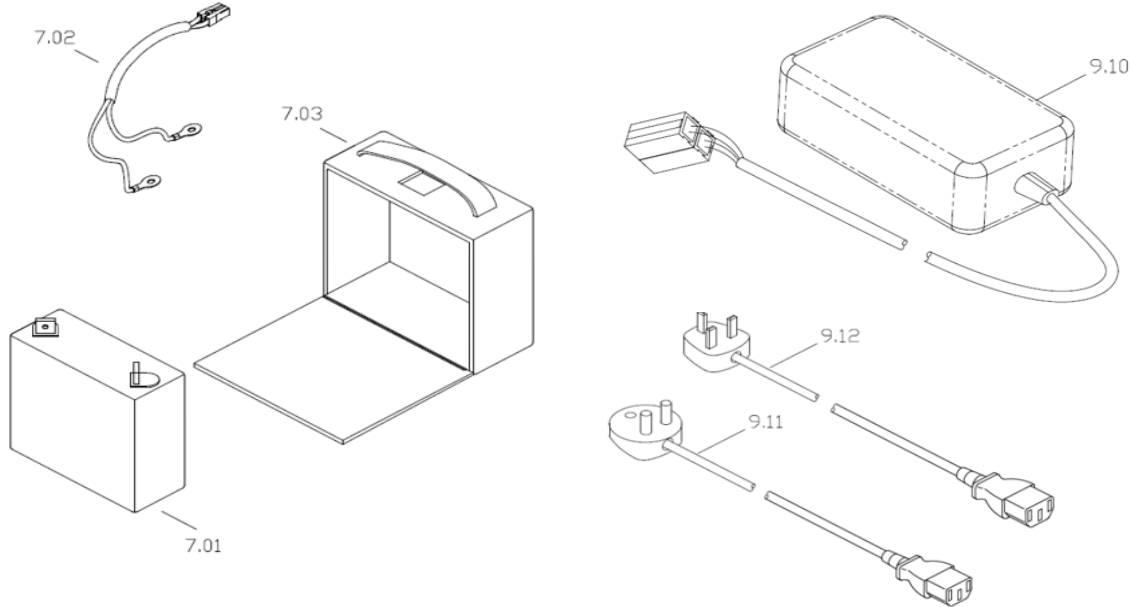
Drawing No.	Item No.	Description	Price
6.01 t/m 6.04	-	Not available as a spare part	
6.05 & 6.06	93811935	Mounting bracket handcontroller 22 MM	
	93811934	Mounting bracket handcontroller 25,4 MM	
6.07 t/m 6.09	-	Not available as a spare part	
6.2	93811930	Hand controller complete	
	93811270	Cable loom between controller and divider	
6.21 t/m 6.25	-	Not available as a spare part	
	6.26	Ignition Key	
6.27 t/m 6.29	-	Not available as a spare part	
	6.30	Tip of the handlever, Black	
	6.4	Hand lever throttle assembly	
6.41 t/m 6.42	-	Not available as a spare part	
	6.43	Spring, for gas lever	
6.45 t/m 6.47	-	Not available as a spare part	

CE-D09-0811-09 Spare parts list



Identification number: TCF-VOMNL-0811-09
 Product group: Power pack
 Productname: Excel Click & Go Lite / P001B
 Batchnumber: from 3601 to 4075

Battery pack + Charger unit



Drawing No.	Item No.	Description	Price
7.01	93810320	Battery 12V/18AH	
	93811326	Accupack complete, 18ah battery, cover and power cord	
7.02	93811330	Battery cable	
7.03	93811327	Cover for battery	
9.10	93811350	Battery charger 12V/3Ah incl cable	
9.11	93811330	Power cord EUROPE standard.	
9.12	63600007	Power cord UK-plug	

Additional accessories

Drawing No.	Item No.	Description	Price
-	93810867	Assembly set for push handle extensioner, 19 mm (consist of 2 x foam, 2x extension tube, 2x bolt M8x65, 2x RAWL plug M8x50)	
-	93810868	Assembly set for push handle extensioner, 22-25 mm (consist of 2 x foam, 2x extension tube, 2x bolt M8x65, 2x RAWL plug M8x50)	
-	93810870	Foam for push handle for extensionset push handles, 19 mm	
-	93810871	Foam for push handle for extensionset push handles, 22-25 mm	
-	93811400	Tension strap to secure the battery pack	
-	92000012	Anti-tipper, set of 2 pieces, complete with tube 33 cm, for sh 52½ en 55cm	
-	92000015	Anti-tipper, set of 2 pieces, complete with short tube of 25 cm, up to sh 50cm	