

CE-D09 Spare parts list



Identification number: TCF-VOMNL - 0953-18B
Product group: Electric wheelchair
Productname: E-smart +
Batchnumber: From 3992

Complete

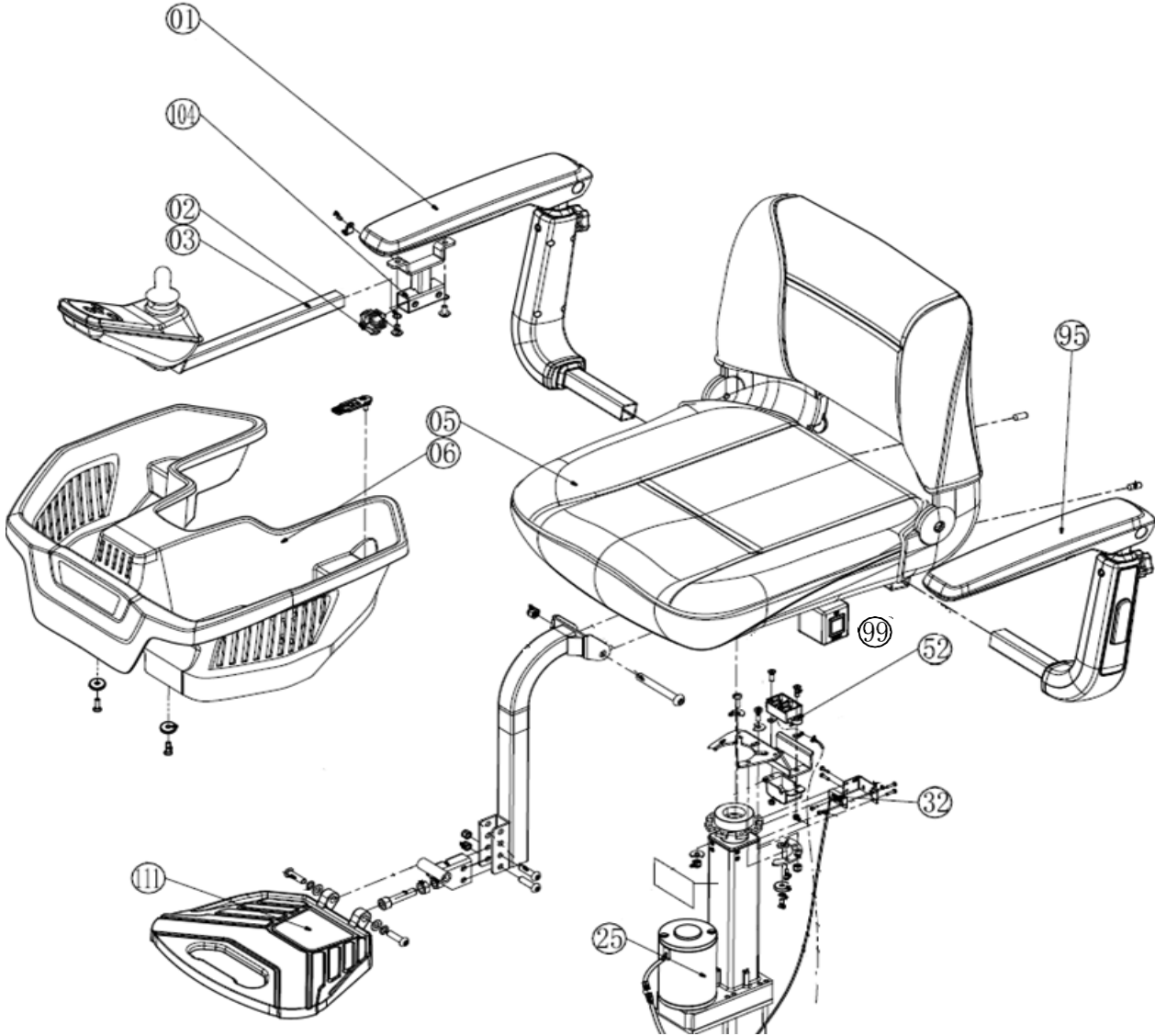


CE-D09 Spare parts list



Identification number: TCF-VOMNL - 0953-18B
 Product group: Electric wheelchair
 Productname: E-smart +
 Batchnumber: From 3992

Seat assembly



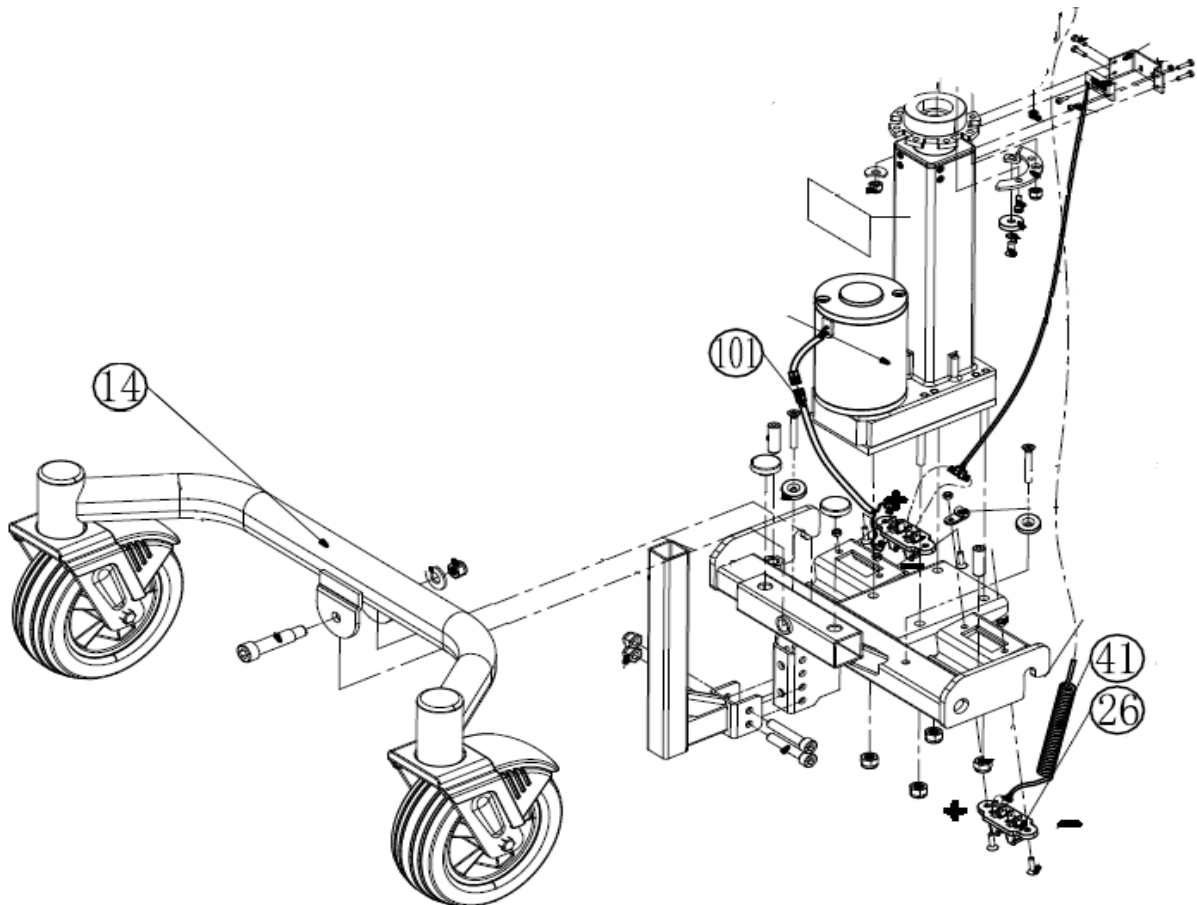
Drawing No.	Item No.	Description	Purchase Price
1	SE06E413DK0	Armrest complete Right	
1-1 & 95-1	WG01A418BA1	Armpad Left/Right	
2	SE05A503A3A	Knob (M8x15)	
3-1	D50677	Joystick module (VR2 JSM D50677)	
3-2	WC06A403GG0	Joystick mounting slide tube	
5	WS68E005AK0	Fish on Seat including seat plate	
	WS11E003AK1	Comfort seat with lumbal support and adjustable back	
5-1	WG02A403AG0	Seat plate complete	
6	WG02A501A3A	Battery basket	
25	ZA07E104AK0	Lift motor complete	
32	WG02F608AK0	Lift sensor with wire	
52	SD03F610AK0	Connector lift motor (Female)	
95	SE06E414DK0	Armrest complete Left	
99	WG02F607AK0	lift motor switch wiring	
104	WE03A115BG0	Mounting block including mounting material for joystick	
111	WE01P504B1B	Foot plate	

Front wheel & seat

CE-D09 Spare parts list



Identification number: TCF-VOMNL - 0953-18B
 Product group: Electric wheelchair
 Productname: E-smart +
 Batchnumber: From 3992



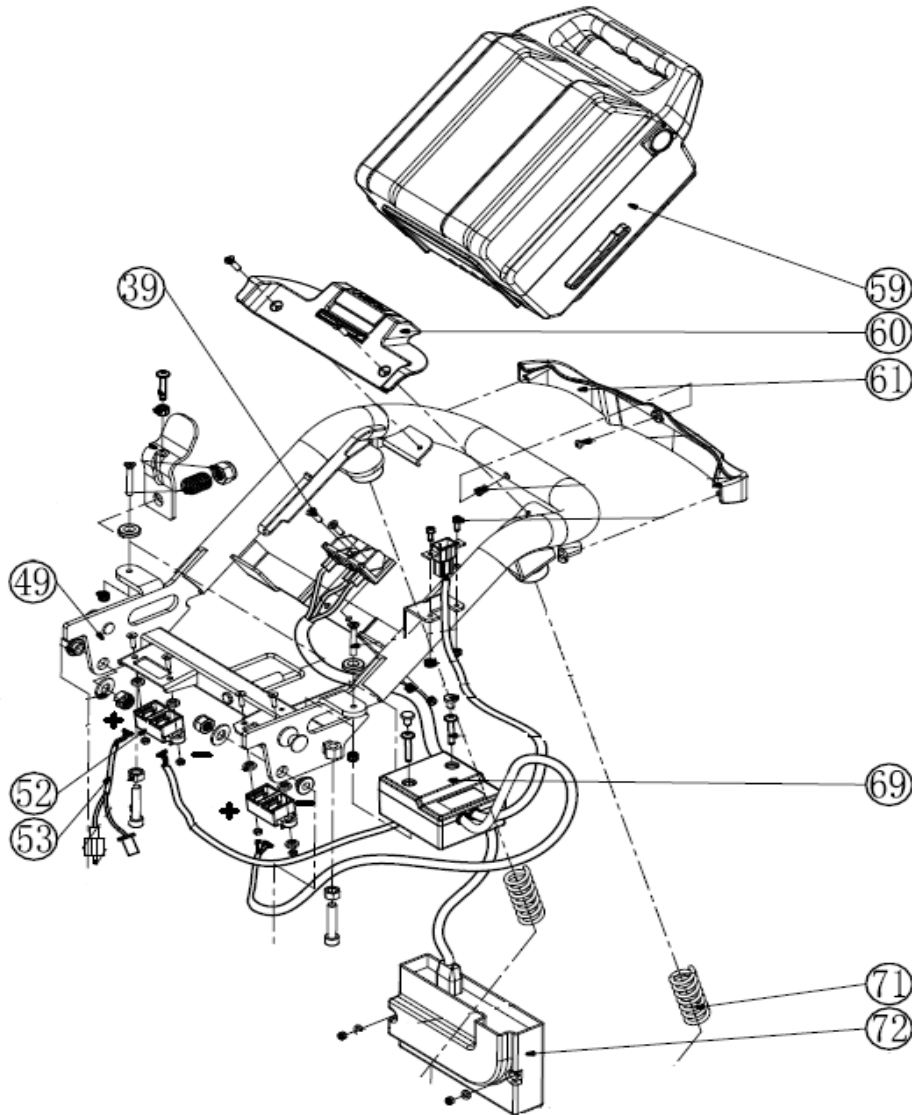
Drawing No.	Item No.	Description	Purchase Price
14	WG02E201AK0	Front caster complete incl. casters	
14-1	WE03E202DK0	Front wheel incl. front fork & front fender Left	
14-2	WE03E203DK0	Front wheel incl. front fork & front fender Right	
26	SD03F609AK0	Connector (Male)	
41	WG02F606AK0	Wire to adapter lift motor switch (Female)	
101	WG02F619AK0	Wire adapter to lift motor	

CE-D09 Spare parts list



Identification number: TCF-VOMNL - 0953-18B
 Product group: Electric wheelchair
 Productname: E-smart +
 Batchnumber: From 3992

Battery assembly



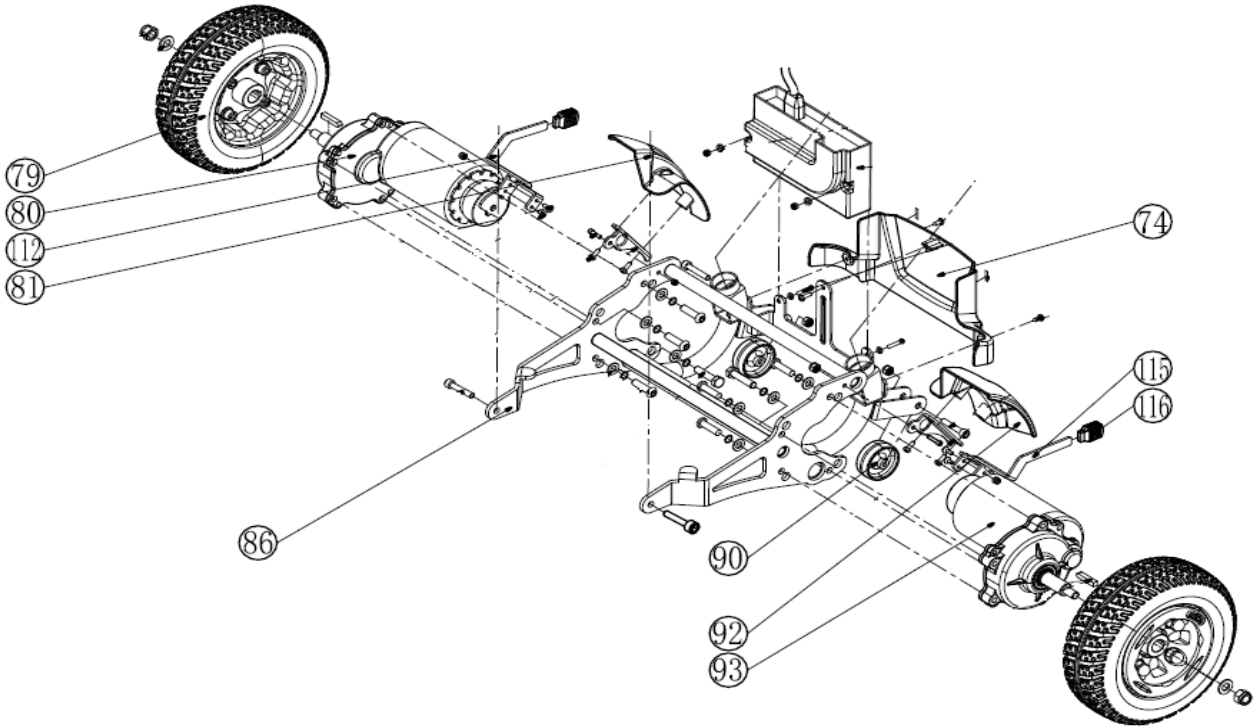
Drawing No.	Item No.	Description	Purchase Price
39	WG02F616AK0	Connection part for battery	
49 & 52	-	Not available as spare part	
53	WG02F609AK0	Wire adapter to motor and EM Brake	
59	99310120	Battery box assembly (without 12V/18AH battery)	
	99310020	Battery box assembly incl. 12V/18AH battery	
59-1	SE05F609AK0	Circuit breaker assembly with wire & connectors	
59-2	SE05F613AK0	Charging port	
59-3	SE05F608AK0	Connection part for battery box	
-	93811350	Battery charger 12V/3Ah	
60	WG02E501AK0	Battery box holder, plastic assembly	
61	WG02P504A3A	Rear cover	
69	WG02E601AK0	Lift motor control box assembly with controller and battery connector	
71	WG02P144A1G	Spring for suspension system (set of 2)	
72	D50950	Controller (PG VR2-50A)	

CE-D09 Spare parts list



Identification number: TCF-VOMNL - 0953-18B
 Product group: Electric wheelchair
 Productname: E-smart +
 Batchnumber: From 3992

Rear assembly



Drawing No.	Item No.	Description	Purchase Price
	74	WG02P505A3A	Rear cover
	79	WG02E210BK0	Driving wheel, air 9"
	79-1	WG02A206AG0	Rear hub
	80	RA04E108CK0	Transaxle with motor and brake Right
	80-1 & 93-1	RA04A101DK0	Transaxle Left/Right
	80-2	RA04A308AK0	Motor Right
	80-3	RA03A204DK0	Motorbrake (3NM) Right
	81	WG02P503A3A	Fender Right
	86	-	Not available as spare part
	90	SE06P560A3A	Anti-tip wheel 3" (set of 2)
	92	WG02P502A3A	Fender Left
	93	RA04E107CK0	Transaxle with motor and brake Left
	93-2	RA04A307AK0	Motor Left
	93-3	RA03A203DK0	Brake (3NM) Left
	112	WG02P130AG0	Brake extension lever, Right
	115	WG02P129AG0	Brake extension lever, Left
	116	WE03P510B4B	Brake extension lever cover Yellow (set of 2)