

CE-D09 Spare parts list



Identification number: TCF-VOMNL - 2420A

Product group: Rollator

Productname: EZ-Lite

Batchnumber:

Complete

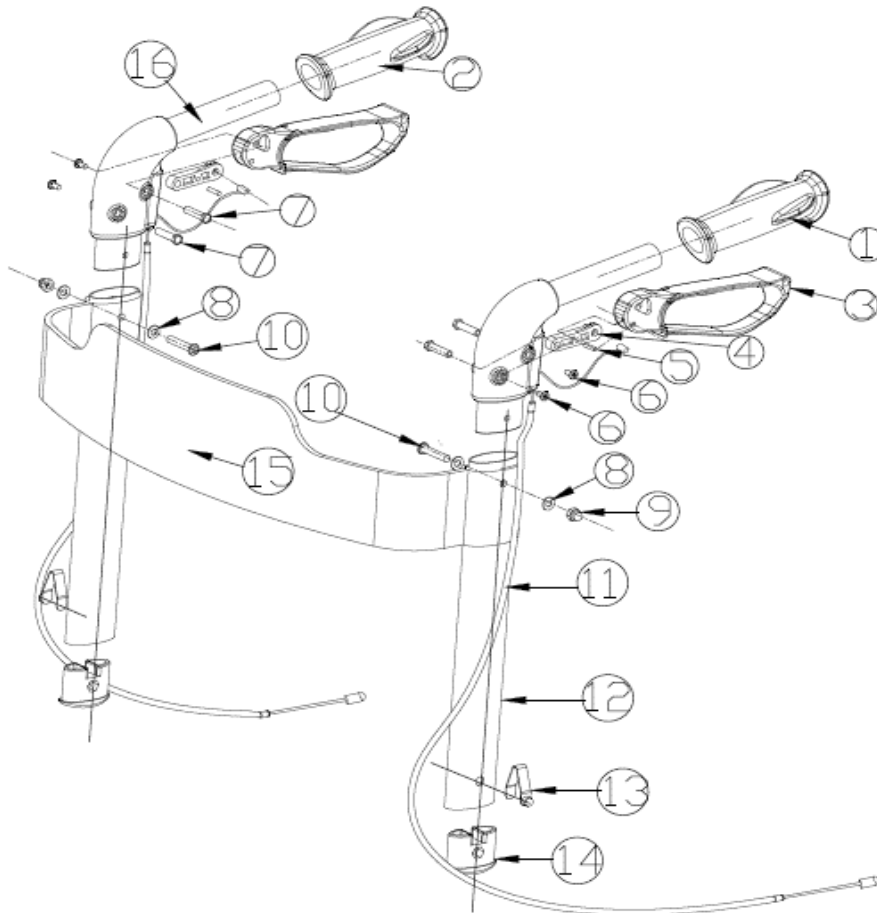


CE-D09 Spare parts list



Identification number: TCF-VOMNL - 2420A
 Product group: Rollator
 Productname: EZ-Lite
 Batchnumber:

Push handles



Push handles

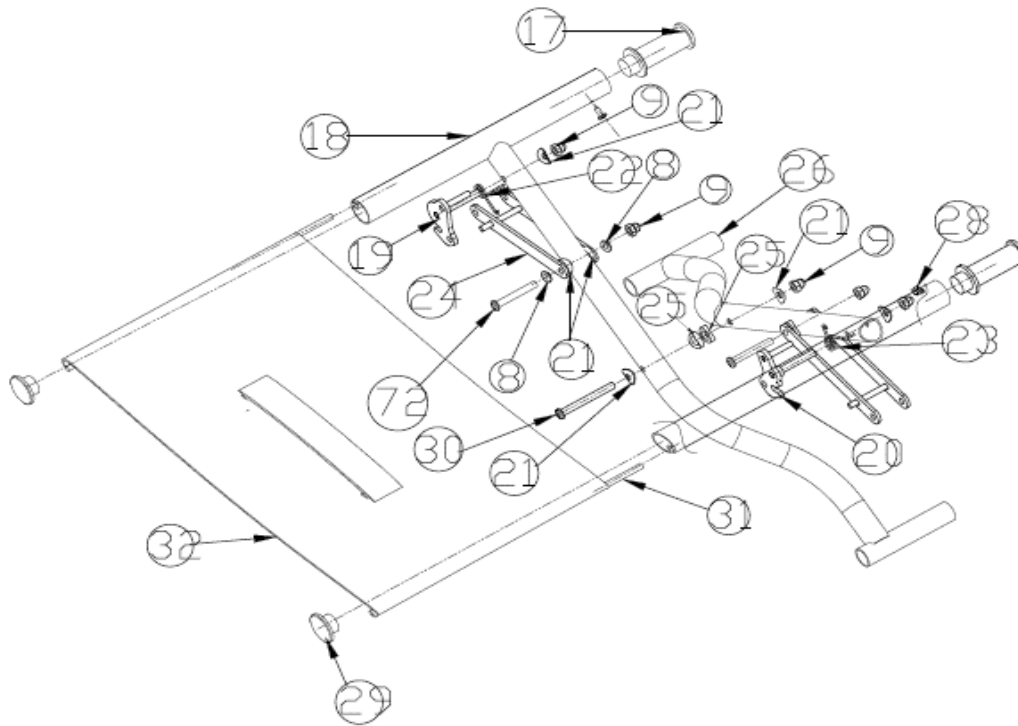
Drawing No.	Item No.	Description	Purchase Price
1-5	92427000	Handvat en remhandvat LINKS en RECHTS	
3-5+11	92427010	Rem compl L/R (handvat remhendel kabel remschoen+bev materiaal)	
6+7	-	Not available as spare part	
8-10+15	92425000	Rugband compleet	
12+13+14	-	Not available as spare part	
16	92427020	Duwhandvat buis (set van 2)	
	92425105	Sterknop tbv hoogte instelbare duwhandvatten (set van 2)	

CE-D09 Spare parts list



Identification number: TCF-VOMNL - 2420A
 Product group: Rollator
 Productname: EZ-Lite
 Batchnumber:

Crossframe + Seat



Crossframe + Seat

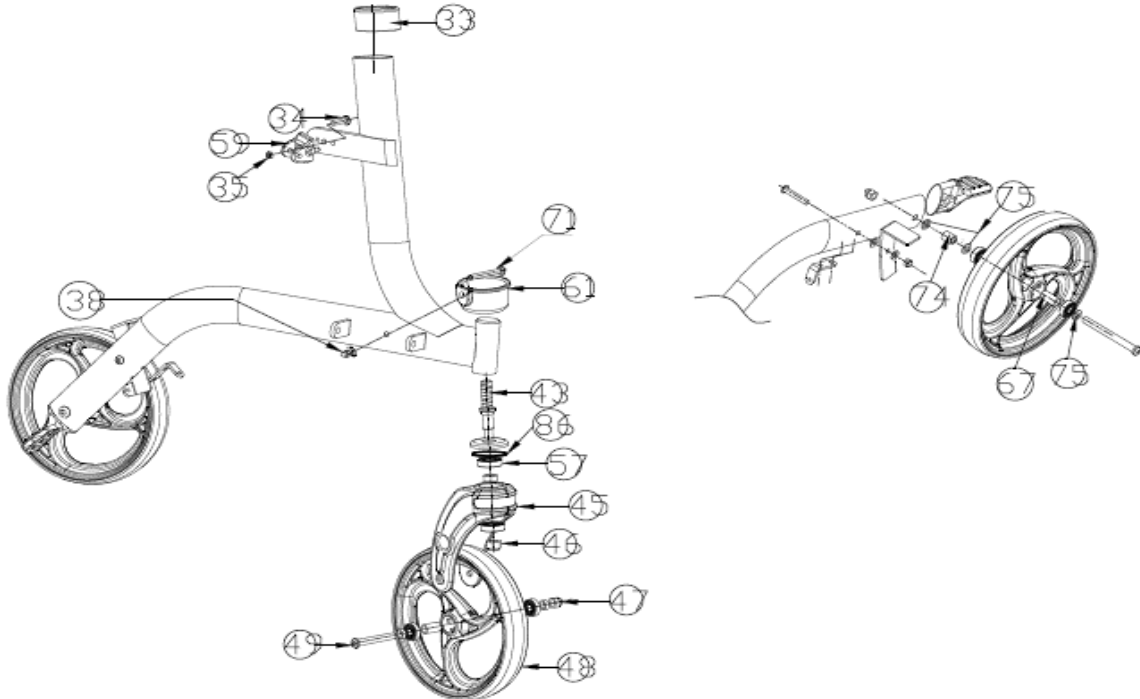
Drawing No.	Item No.	Description	Purchase Price
8+9+19+20+21 +22+23+24+72	92429006	Opvouwmechanisme en pendelassen incl bevestigingsmateriaal	
17	92420100	Opvulbussen tbv kruisframe/zijframe (set van 2)	
18, 25-28	-	Not available as spare part	
29	92420150	Afdekdoppen tbv zitting (set van 2)	
30-31	-	Not available as spare part	
32	52420100	Zitting	
	92429007	Ontgrendelings riempje tbv opvouwmechanisme (oranje)	

CE-D09 Spare parts list



Identification number: TCF-VOMNL - 2420A
 Product group: Rollator
 Productname: EZ-Lite
 Batchnumber:

Front fork



Front fork + Wheel

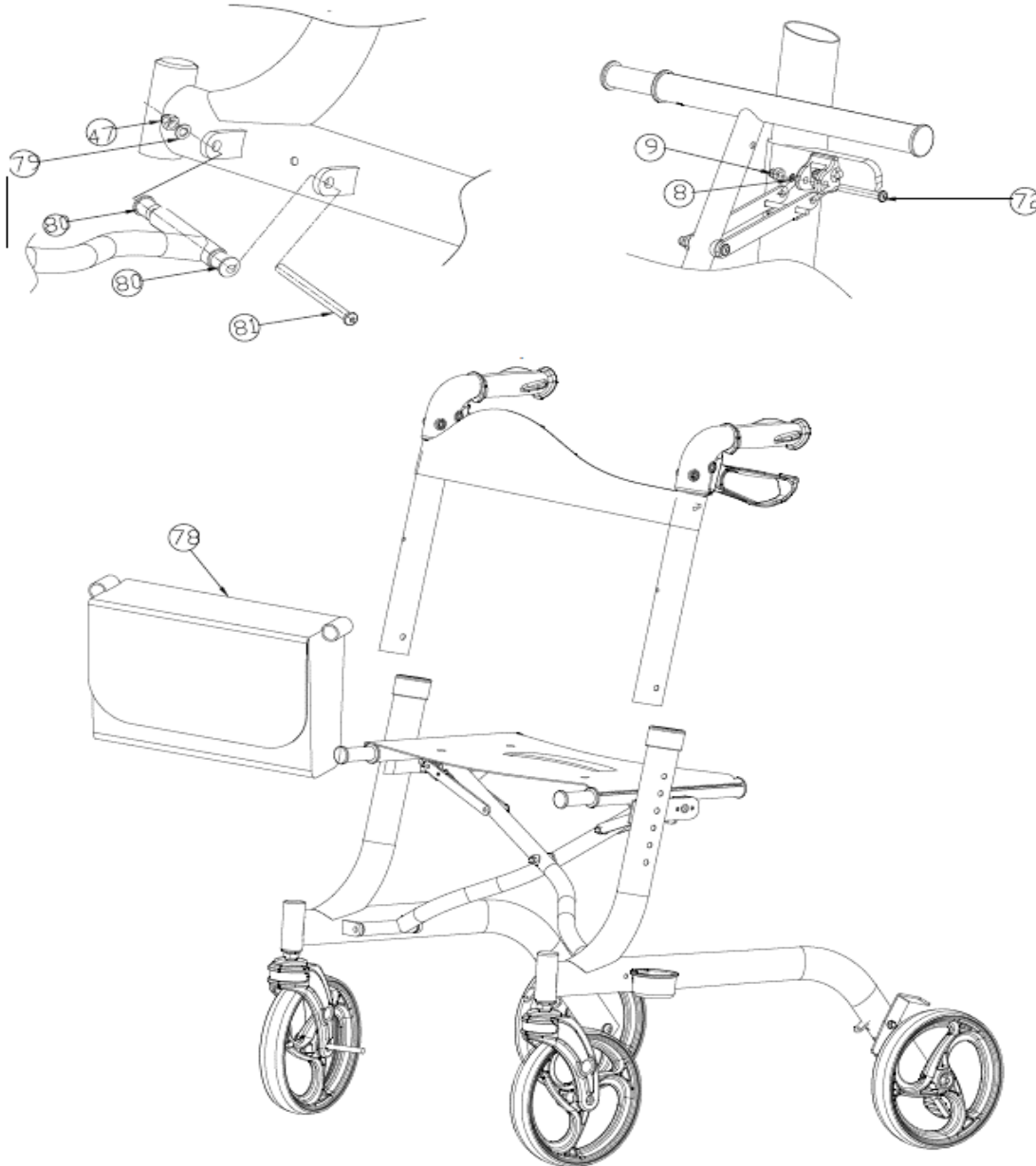
Drawing No.	Item No.	Description	Purchase Price
33-35	-	Not available as spare part	
38+61+71	92427025	Stokkenhouder en klittenband	
43+86+57+	92428200	Voorvork inclusief bout en lager, Links	
45+46	92428201	Voorvork inclusief bout en lager, Rechts	
47+48+49	92428100	Voorwiel compleet tbv EZ-Lite	
48+67+74+75	92424100	Achterwiel compleet tbv EZ-Lite	
59	-	Not available as spare part	
	92417035	Balhoofd afdekdoppen, set van 2	
	92423700	Trapdop Links	
	92423705	Trapdop Rechts	

CE-D09 Spare parts list



Identification number: TCF-VOMNL - 2420A
 Product group: Rollator
 Productname: EZ-Lite
 Batchnumber:

Bag



Bag

Drawing No.	Item No.	Description	Purchase Price
78	92429900	Tas (met blokbevestiging)	
	92469900	Tas (met lusbevestiging)	
	92429950	Bevestigingsblok (set van 2) tbv montage tas	
8+9	-	Not available as spare part	
47 + 72	-	Not available as spare part	
79-81	-	Not available as spare part	