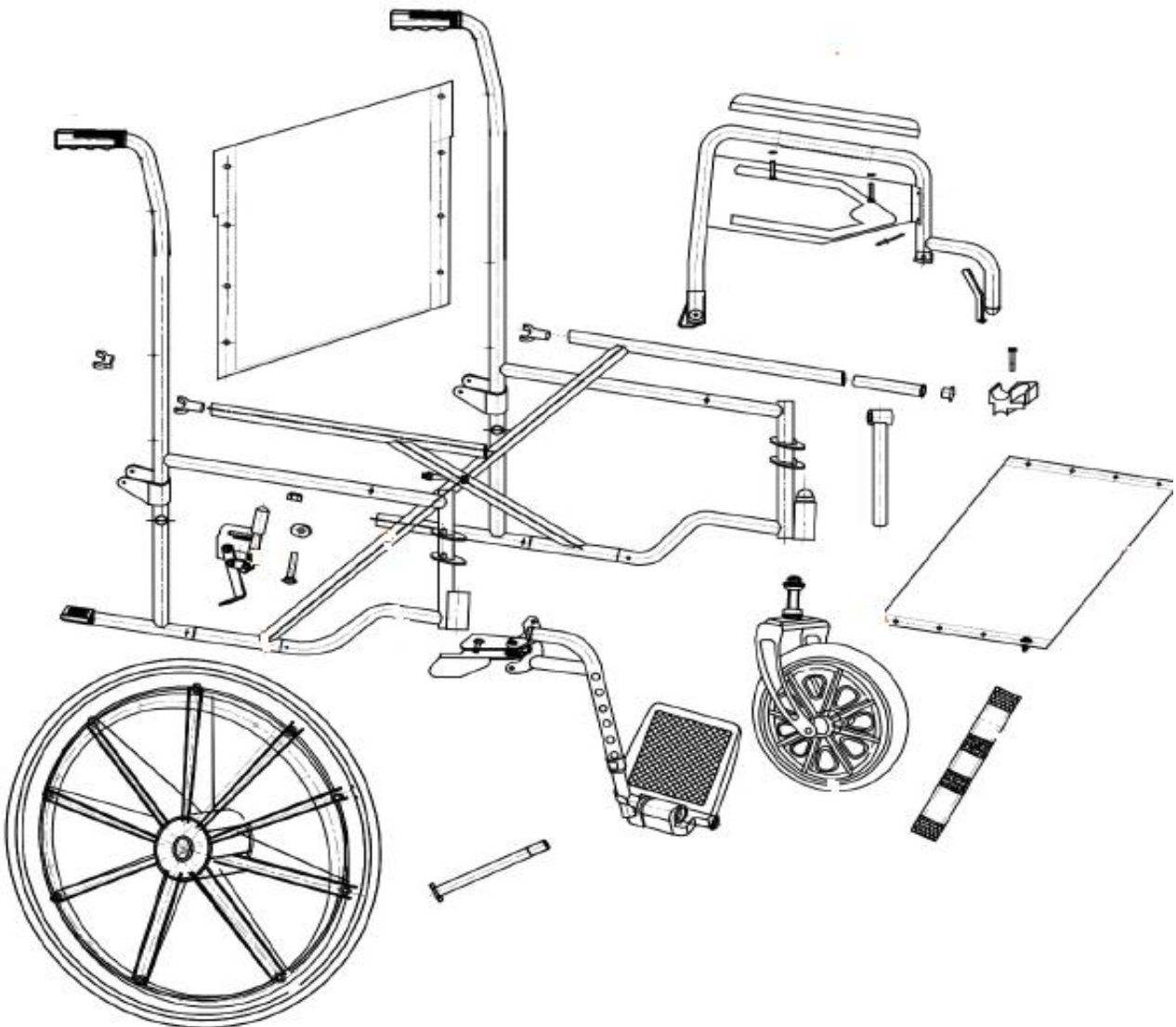


## CE-D09 Spare parts list



Identification number: TCF-VOMNL -0115-15  
Product group: Manual wheelchair  
Productname: G-basic  
Batchnumber: 4268

Complete

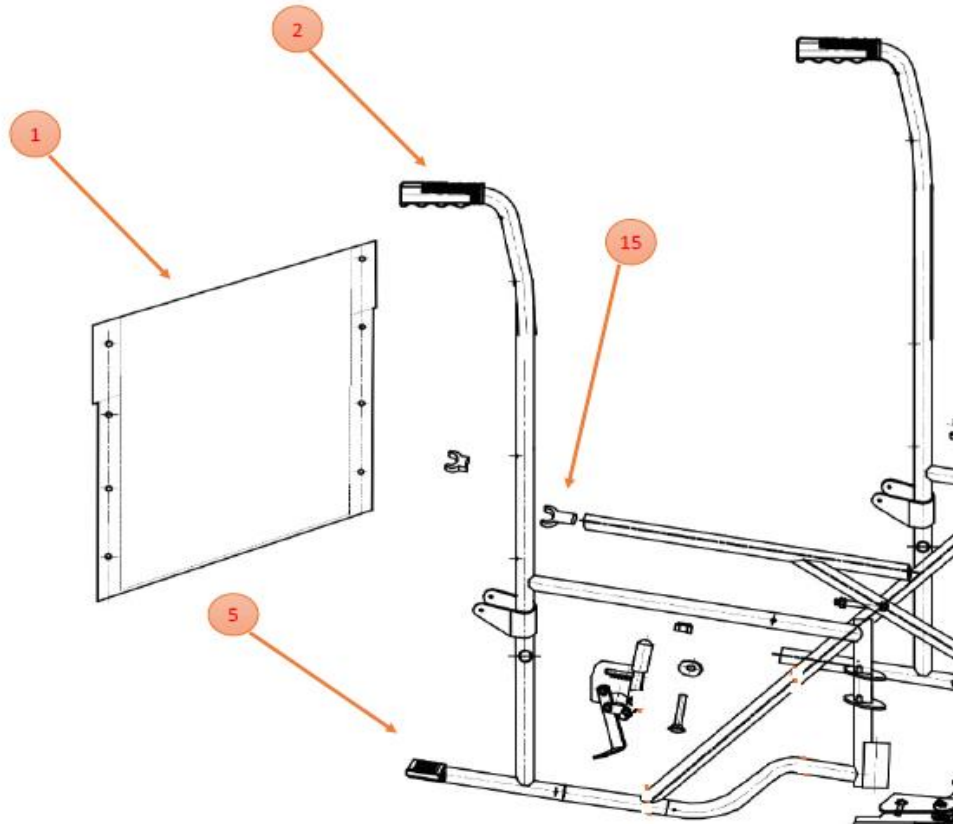


## CE-D09 Spare parts list



Identification number: TCF-VOMNL -0115-15  
 Product group: Manual wheelchair  
 Productname: G-basic  
 Batchnumber: 4268

### Back and handle bar



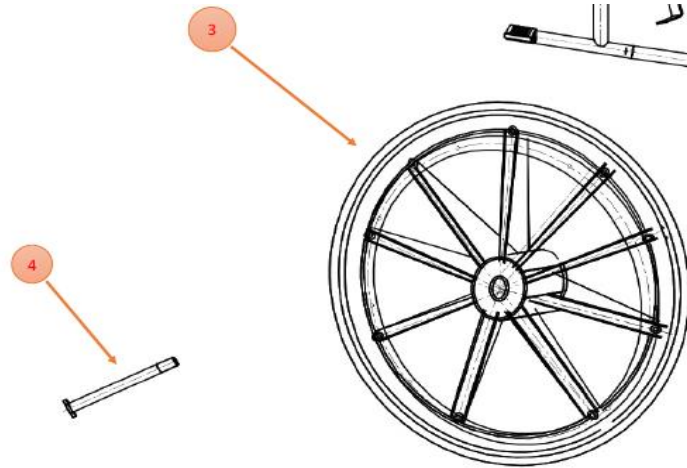
Drawing No.	Item No.	Description	Purchase Price
1	51150145	Back upholstery 45 cm	
	51150150	Back upholstery 50 cm	
2	11151140	Side frame complete, sd 43 cm (with backrest and handlebar) Left	
	11151150	Side frame complete, sd 43 cm (with backrest and handlebar) Right	
2-1	11150000	Handlebar	
5	11150500	Stepper	
15	11152070	Cross frame/armrest receiving block plastick front Left	
	11152075	Cross frame/armrest receiving block plastick front Right	

## CE-D09 Spare parts list



Identification number: TCF-VOMNL -0115-15  
 Product group: Manual wheelchair  
 Productname: G-basic  
 Batchnumber: 4268

### Rear wheel



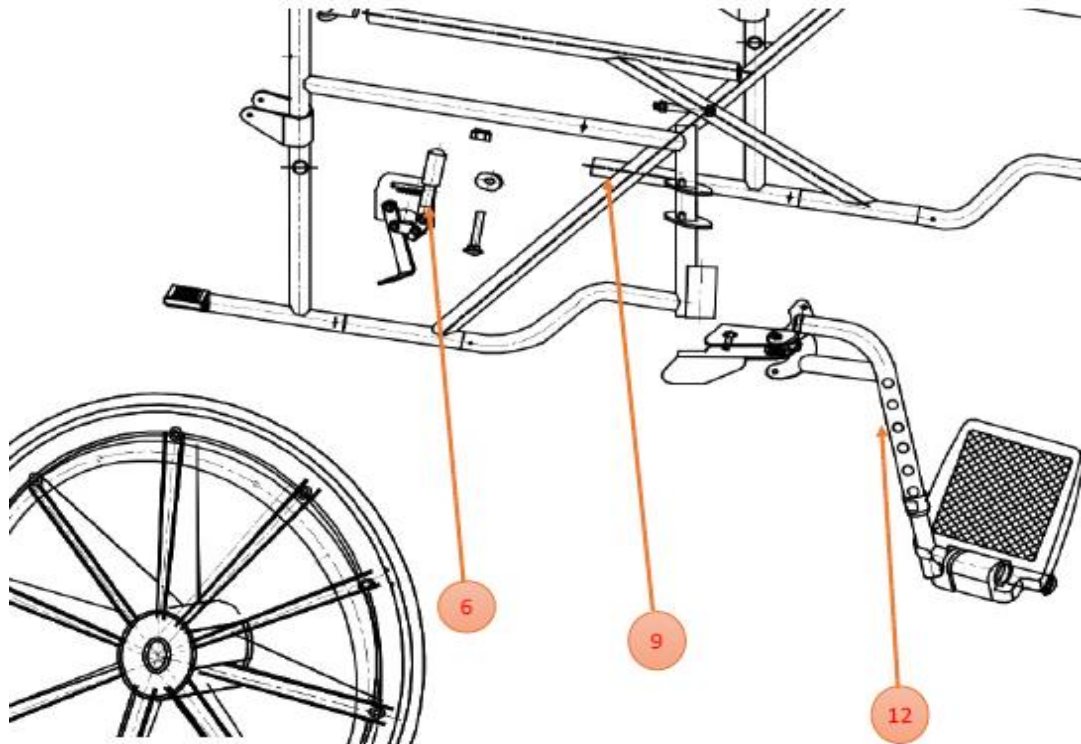
Drawing No.	Item No.	Description	Purchase Price
3	41150010	24" x 1 rearwheel PU, plastic rim, handrim and hub, complete	
4	-	Not available as spare part	

## CE-D09 Spare parts list



Identification number: TCF-VOMNL -0115-15  
 Product group: Manual wheelchair  
 Productname: G-basic  
 Batchnumber: 4268

### Cross frame + legrest



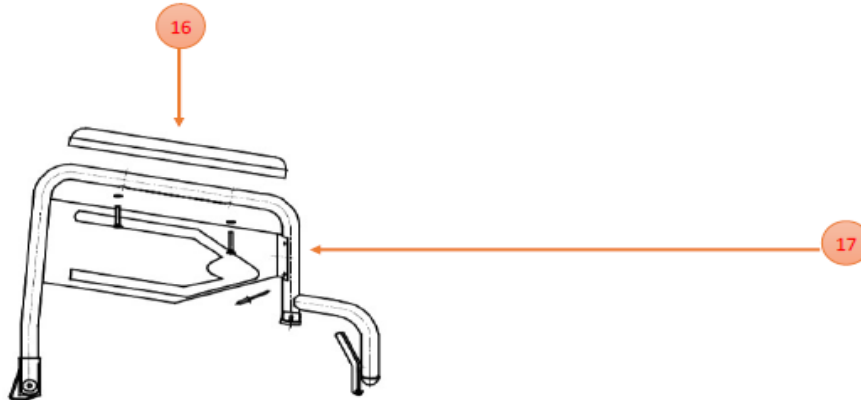
Drawing No.	Item No.	Description	Purchase Price
6	71150000	Brake complete, Left Black	
	71150010	Brake complete, Right Black	
9	21154543	Cross frame complete, seat width 45 cm x seat depth 43 cm	
	21155043	Cross frame complete, seat width 50 cm x seat depth 43 cm	
12	61154200	Footrest standard, 45-50 cm (Left)	
	61154210	Footrest standard, 45-50 cm (Right)	
	61156020	Elevating legrest complete, 45-50 cm (Left)	
	61156030	Elevating legrest, complete, 45-50 cm (Right)	
	61150042	Footplate 45/50 cm incl. insert tube, Left	
	61150043	Footplate 45/50 cm incl. insert tube, Right	

## CE-D09 Spare parts list



Identification number: TCF-VOMNL -0115-15  
 Product group: Manual wheelchair  
 Productname: G-basic  
 Batchnumber: 4268

### Armrest



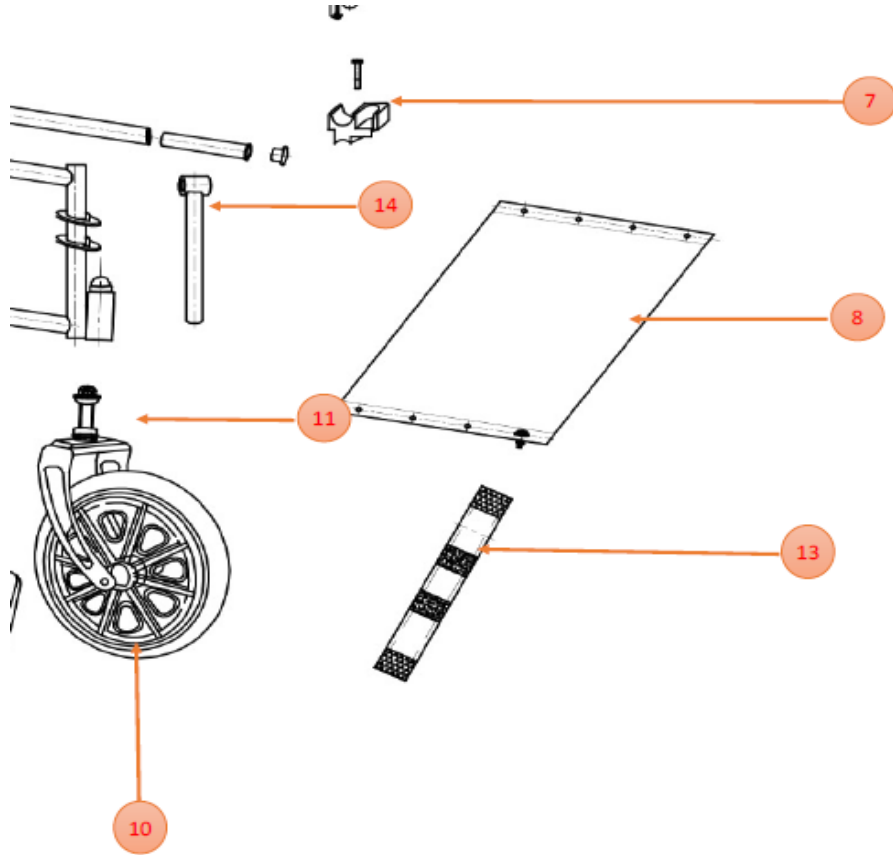
Drawing No.	Item No.	Description	Purchase Price
16	31150500	Armrest polster, PU (short) for armrest Left/Right	
17	31150045	Armrest short foldable, Left	
	31150046	Armrest short foldable, Right	
-	31150600	Armrest fixation kit Left/Right (with handle, screw and spring)	

## CE-D09 Spare parts list



Identification number: TCF-VOMNL -0115-15  
 Product group: Manual wheelchair  
 Productname: G-basic  
 Batchnumber: 4268

### Armrest



Drawing No.	Item No.	Description	Purchase Price
7	31150600	Armrest fixation kit Left/Right	
8	51150045	Seat upholstery, seat width 45 cm, seat depth 43 cm, Nylon	
	51150050	Seat upholstery, seat width 50 cm, seat depth 43 cm, Nylon	
10	81152000	Front wheel, 8 x 1¼", complete with bearings, PU, hub of 6 cm	
11	81150000	Front fork Left/Right Black	
13	61150145	Calf strap 45 cm	
	61150150	Calf strap 50 cm	
14	21150100	Slide tube for crossframe	