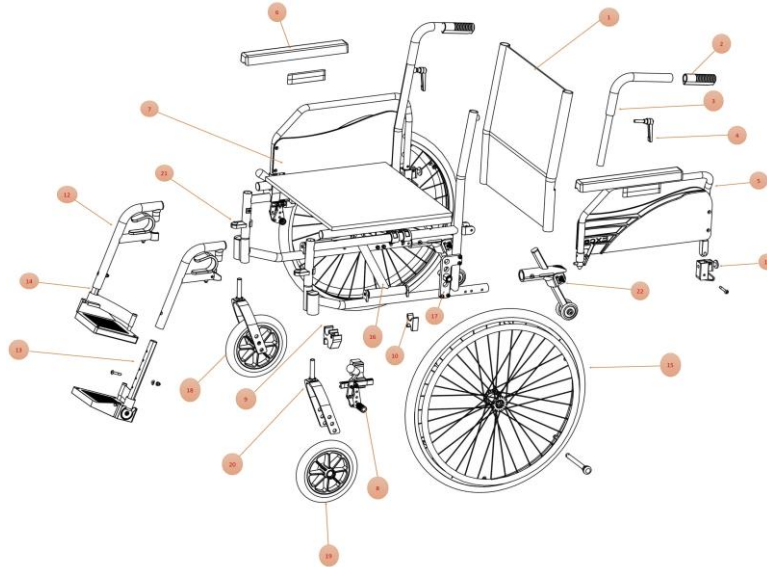


## CE-D09 Spare parts list



Identification number: TCF-VOMNL -0216F  
 Product group: Manual wheelchair  
 Productname: G-Eco+  
 Batchnumber:

### Complete



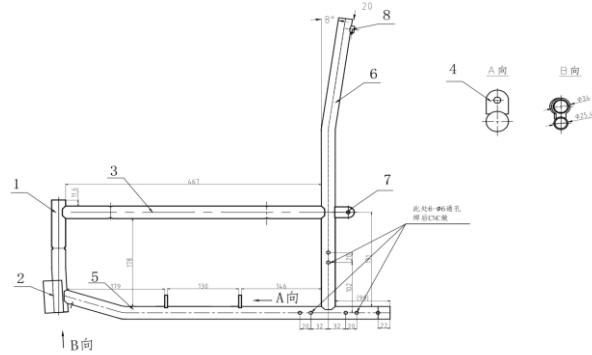
Drawing No.	Item No.	Description	Purchase Price
1	52163145	Back Upholstery 45CM	
	52163150	Back Upholstery 50CM	
2	12168100	Hand grip	
3	12168110	Pushhandle, incl. Handgrip	
4	12161016	Locking lever for pushhandle	
5	32160200	Armrest complete assy (pair)	
6	32160110	PU-Armpad, including spacers and screws	
7	52161045	Seat Upholstery 45, incl. Screws	
	52161050	Seat Upholstery 50CM, incl. Screws	
8	72160100	Brake Assembly (pair)	
9	12160450	Armrest Socket front, incl. screw (pair)	
10	12160265	Receiving block for the crossframe incl. mounting	
11	12160350	Armrest Socket rear, incl. screw (pair)	
12	62161145	Footrest assembly sw 45-50 cm (pair)	
13	62164145	Legrest lower part assy 45-50 cm (pair)	
14	62165050	Heel Loop, incl. Mounting screw	
15	42162418	Real Wheel (complete unit)	
16	22164145	Crossbar complete assy 45cm, incl. all component parts and screws (set)	
	22164150	Crossbar complete assy 50cm, incl. all component parts and screws (set)	
17	12162105	Rear wheel adapter complete assy, R/L, incl. Screws,	
18	82160100	Front swivel wheel 8" x 1 1/4" PU incl. front fork	
19	82160110	Front wheel 8" x 1 1/4" PU (standard)	
	82160120	Front wheel 6" PU (option)	
20	82160090	Front fork with the bolt	
21	12162000	Footrest locking mechanism	
22	92000015	Anti-tippers (pair)	

## CE-D09 Spare parts list



Identification number: TCF-VOMNL -0216F  
 Product group: Manual wheelchair  
 Productname: G-Eco+  
 Batchnumber:

### Side frame



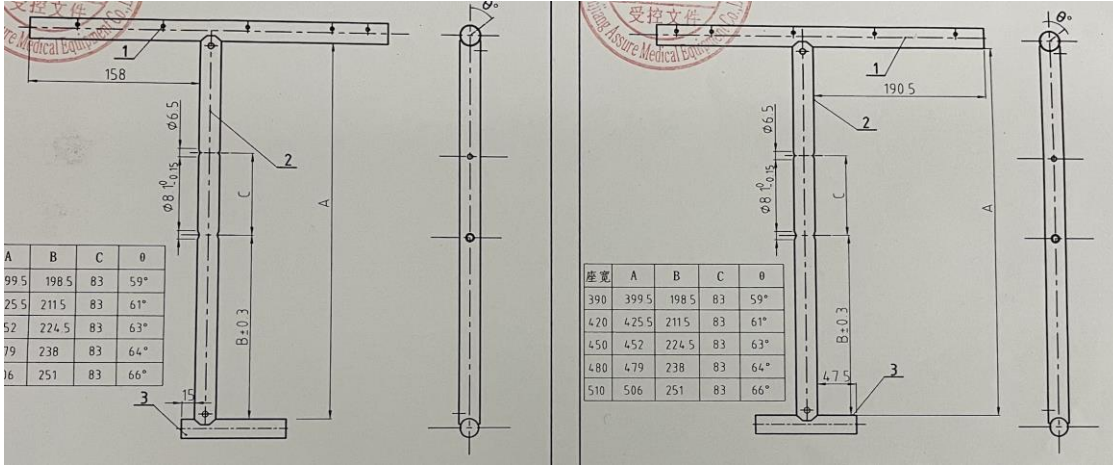
Drawing No.	Item No.	Description	Purchase Price
	12161345	Sideframe complete 40/45cm, Left	
	12161346	Sideframe complete 40/45cm, Right	
	12161350	Sideframe complete 50cm, Left	
	12161351	Sideframe complete 50cm, Right	

## CE-D09 Spare parts list



Identification number: TCF-VOMNL -0216F  
 Product group: Manual wheelchair  
 Productname: G-Eco+  
 Batchnumber:

### Cross frame



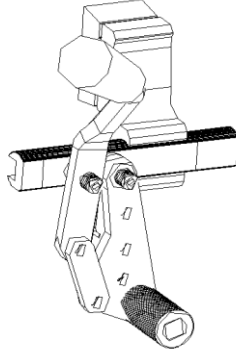
Drawing No.	Item No.	Description	Purchase Price
	22164145	Crossbar complete assy SW 45, incl. all component parts and screws, for G-Eco+	
	22164150	Crossbar complete assy SW 50, incl. all component parts and screws, for G-Eco+	

## CE-D09 Spare parts list



Identification number: TCF-VOMNL -0216F  
Product group: Manual wheelchair  
Productname: G-Eco+  
Batchnumber:

### Brake complete



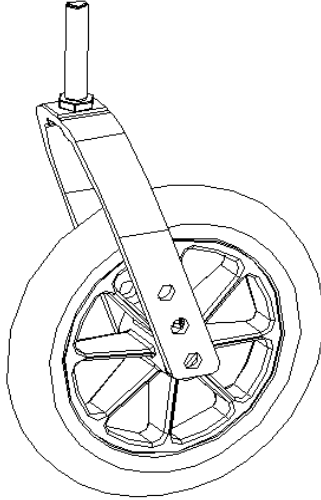
Drawing No.	Item No.	Description	Purchase Price
	72160100	Brake Assembly (pair)	

## CE-D09 Spare parts list



Identification number: TCF-VOMNL -0216F  
Product group: Manual wheelchair  
Productname: G-Eco+  
Batchnumber:

### Front fork with front wheel



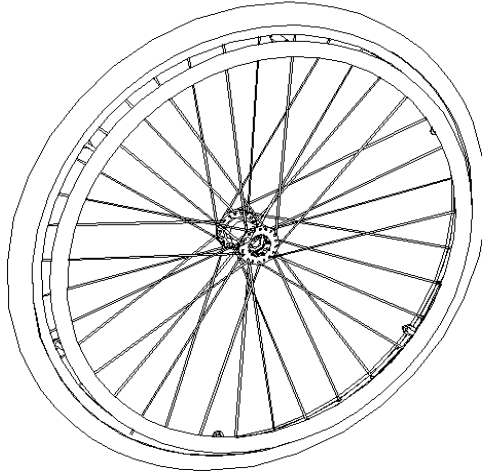
Drawing No.	Item No.	Description	Purchase Price
	82160100	Front swivel wheel 8" x 1 1/4" PU incl. front fork	
	82160090	Front fork with the bolt	
	82160110	Front wheel 8" x 1 1/4" PU (standard)	
	82162100	Bearing set	
	82162105	Cover cap for front fork	

## CE-D09 Spare parts list



Identification number: TCF-VOMNL -0216F  
Product group: Manual wheelchair  
Productname: G-Eco+  
Batchnumber:

### Rear wheel



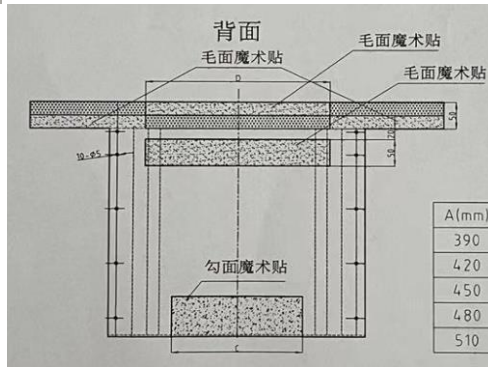
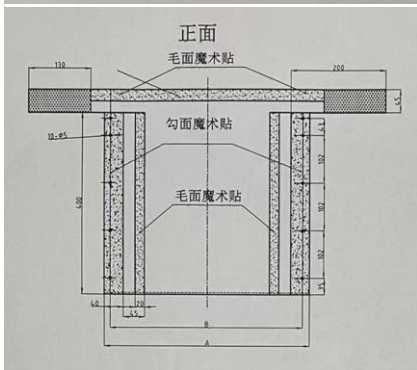
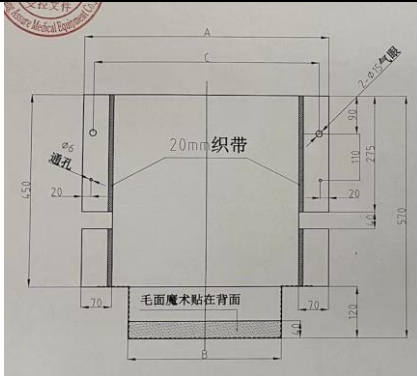
Drawing No.	Item No.	Description	Purchase Price
	42162418	Real Wheel (complete unit)	
	41161000	Quick release axle	
	40216161	Handrim distance bushes	
	40216162	Reflector (set of 2)	

## CE-D09 Spare parts list



Identification number: TCF-VOMNL -0216F  
 Product group: Manual wheelchair  
 Productname: G-Eco+  
 Batchnumber:

### Seat- and back upholstery



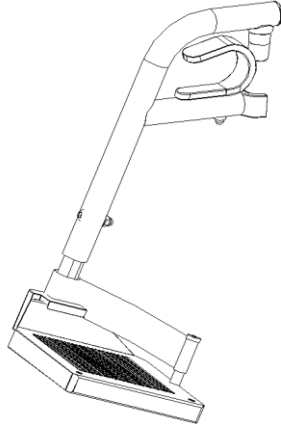
Drawing No.	Item No.	Description	Purchase Price
	52163145	Back Upholstery 45CM	
	52163150	Back Upholstery 50CM	
	52161045	Seat Upholstery 45, incl. Screws	
	52161050	Seat Upholstery 50CM, incl. Screws	

## CE-D09 Spare parts list



Identification number: TCF-VOMNL -0216F  
Product group: Manual wheelchair  
Productname: G-Eco+  
Batchnumber:

### Footrest



Drawing No.	Item No.	Description	Purchase Price
	62161145	Footrest assembly sw 45-50 cm (pair)	
	62164252	Revision set for footrest Left	
	62164257	Revision set for footrest Right	
	62165050	Heel Loop, incl. Mounting screw	
	62167020	Elevating legrest 45/50 cm Left	
	62167030	Elevating legrest 45/50 cm Right	

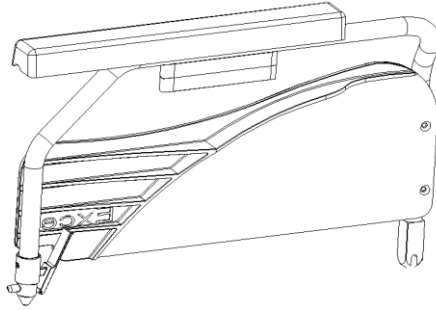


## CE-D09 Spare parts list



Identification number: TCF-VOMNL -0216F  
Product group: Manual wheelchair  
Productname: G-Eco+  
Batchnumber:

### Armrest



Drawing No.	Item No.	Description	Purchase Price
	32160200	Armrest complete assy (pair)	
	32160110	PU-Armpad, including spacers and screws	
	32160210	Side panel Left	
	32160211	Side panel Right	
	12160350	Armrest Socket rear, incl. screw (pair)	