

## CE-D09 Spare parts list



Identification number: TCF-VOMNL- 0136-09H  
Product group: Manual wheelchair  
Productname: Excel G-Explorer  
Batchnumber:

**Complete**

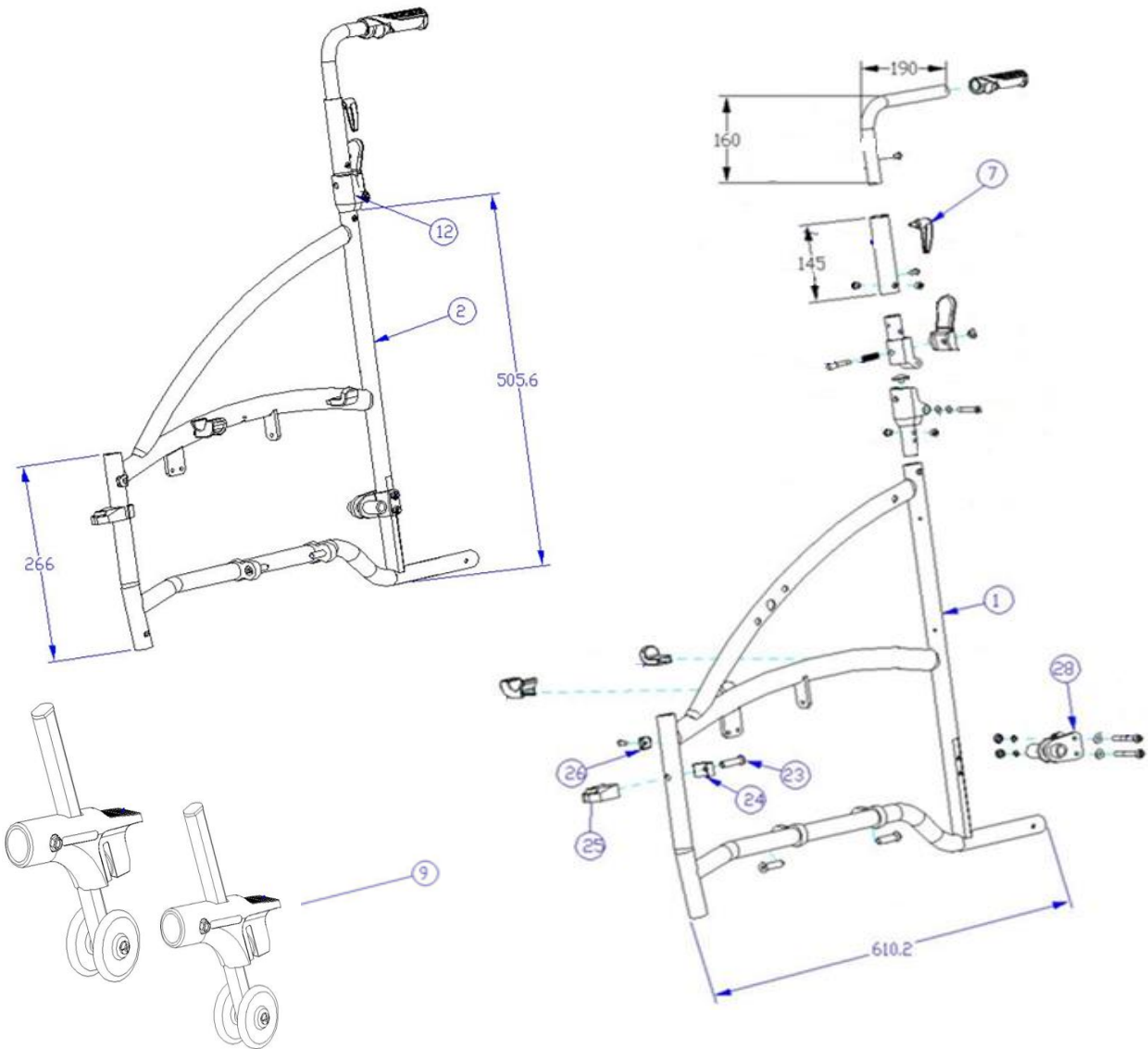


## CE-D09 Spare parts list



Identification number: TCF-VOMNL- 0136-09H  
 Product group: Manual wheelchair  
 Productname: Excel G-Explorer  
 Batchnumber:

### Sideframe



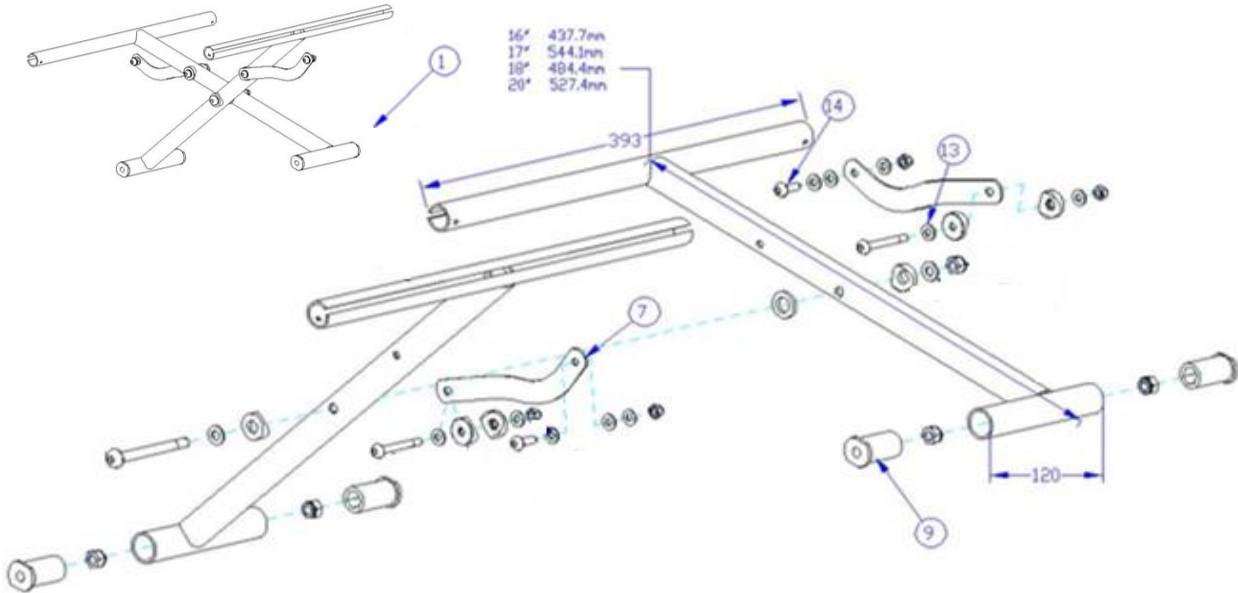
Drawing No.	Item No.	Description	Purchase Price
1	10136092	Side frame Silver Left	
	10136093	Side frame Black Left	
2	10136094	Side frame Black Right	
	10136094	Side frame Silver Right	
7	10136091	Quick release lever for handlebar	
9	92137012	Anti-tipper, set of 2 pieces	
12	11371016	Fixationmechanism with lever for fordable backtube	
23 to 26	12362000	Footrest fixation block (plastic)	
28	WCAS15737	Axel bracket, (sleeve/ring/nut)	
28	WCAS15737 -R	Axel bracket, (sleeve/ring/nut)	

## CE-D09 Spare parts list



Identification number: TCF-VOMNL- 0136-09H  
 Product group: Manual wheelchair  
 Productname: Excel G-Explorer  
 Batchnumber:

### Crossframe



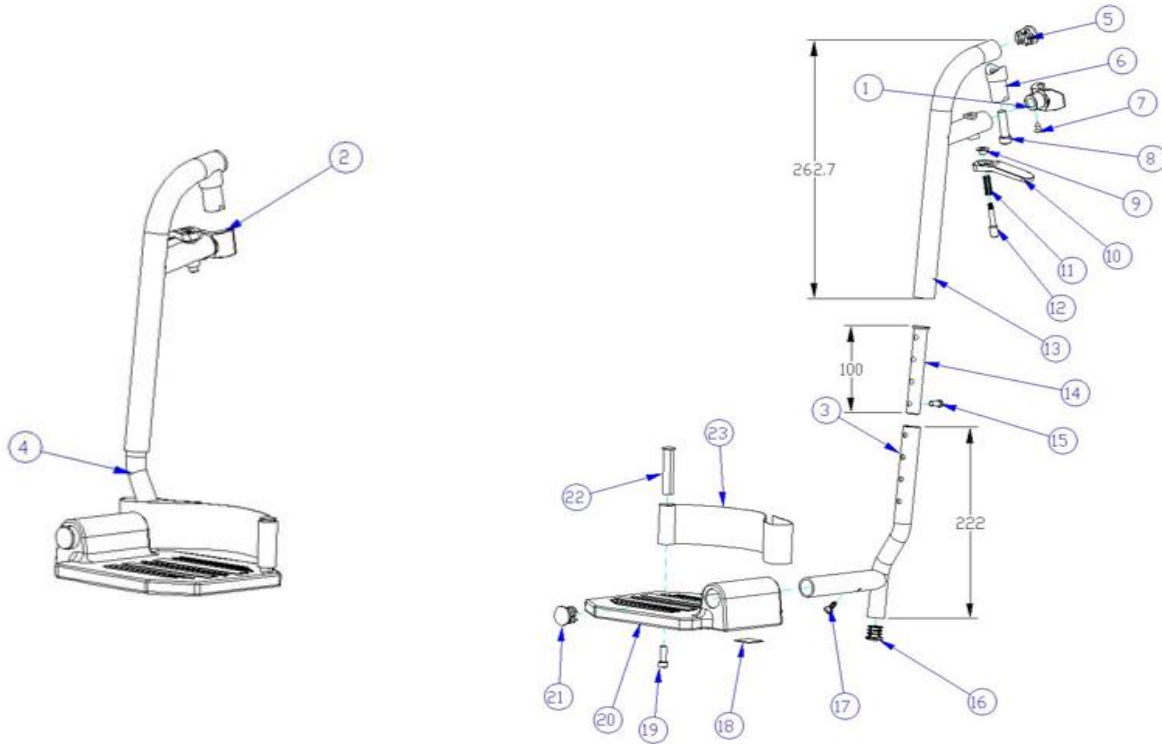
Drawing No.	Item No.	Description	Purchase Price	
1	20136092	Cross bar complete incl. folding mechanism, seat width 45cm; Silver		
	20136093	Cross bar complete incl. folding mechanism, seat width 50 cm; Silver		
	20136095	Cross bar complete incl. folding mechanism, seat width 45cm; Black		
	20136096	Cross bar complete incl. folding mechanism, seat width 50 cm; Black		
	7; 13 & 14	20136098	Folding mechanism Silver for cross bar, seat width 45 cm	
		20136099	Folding mechanism Silver for cross bar, seat width 50 cm	
	20136012	Folding mechanism Black for cross bar, seat width 45 cm		
	20136013	Folding mechanism Black for cross bar, seat width 50 cm		
9	21370000	Spacer tube, nut, screw for crossframe (set of 4)		

## CE-D09 Spare parts list



Identification number: TCF-VOMNL- 0136-09H  
 Product group: Manual wheelchair  
 Productname: Excel G-Explorer  
 Batchnumber:

### Legrest



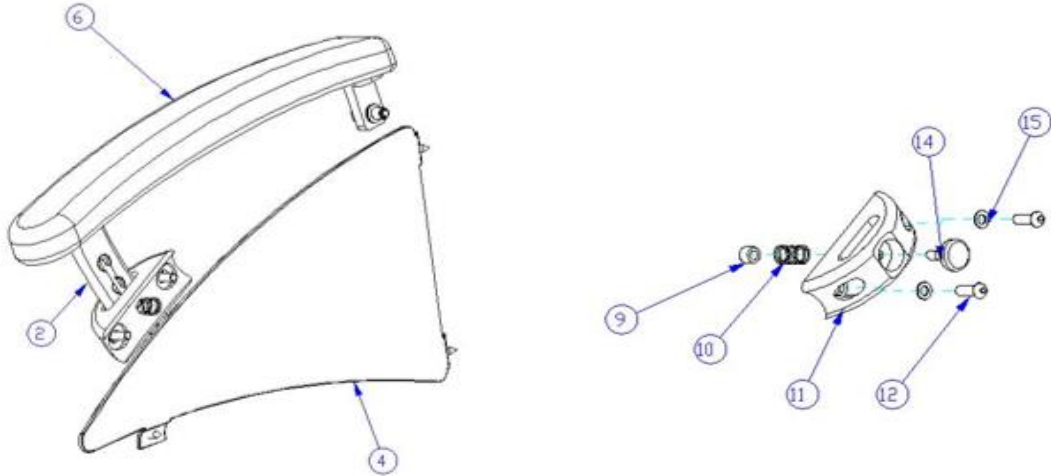
Drawing No.	Item No.	Description	Purchase Price
2	63372200	Revision set for footrest Left	
1; 6 to 12	63372205	Revision set for footrest Right	
4	60136091	Footrest complete Silver Left	
	60136092	Footrest complete Silver Right	
	60136093	Footrest complete Black Left	
	60136094	Footrest complete Black Right	
	63373020	Elevating legrest complete; seat width 40/50 cm Left	
	63373030	Elevating legrest complete; seat width 40/50 cm Right	
14 + 15	63375000	Spacer tube for adjusting under leg tube	
15	20032401	Countersunk Screw for legrest (set of 10)	
3; 16 to 23	63373240	Footplate with connection pipe Left	
	63373250	Footplate with connection pipe Right	
22 + 23	61374640	Heel loop, nylon complete with mounting material	

## CE-D09 Spare parts list



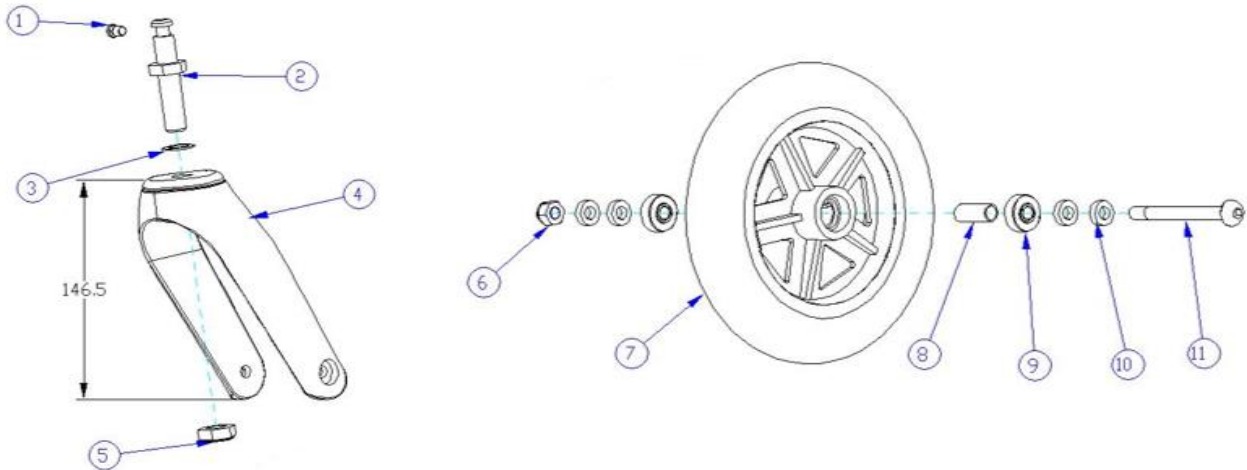
Identification number: TCF-VOMNL- 0136-09H  
 Product group: Manual wheelchair  
 Productname: Excel G-Explorer  
 Batchnumber:

### Armrest



Drawing No.	Item No.	Description	Purchase Price
2 + 6	31370000	Height adjustable armpad kit Left	
	31370010	Height adjustable armpad kit Right	
4	30136091	Sideplate armrest Left G-explorer	
	30136092	Sideplate armrest Right G-explorer	
9; 10 & 14	31371005	Pushbutton + spring for armrest	
9 to 15	31371015	Height adjustable kit for armrest Left/Right	

### Front fork + front wheel



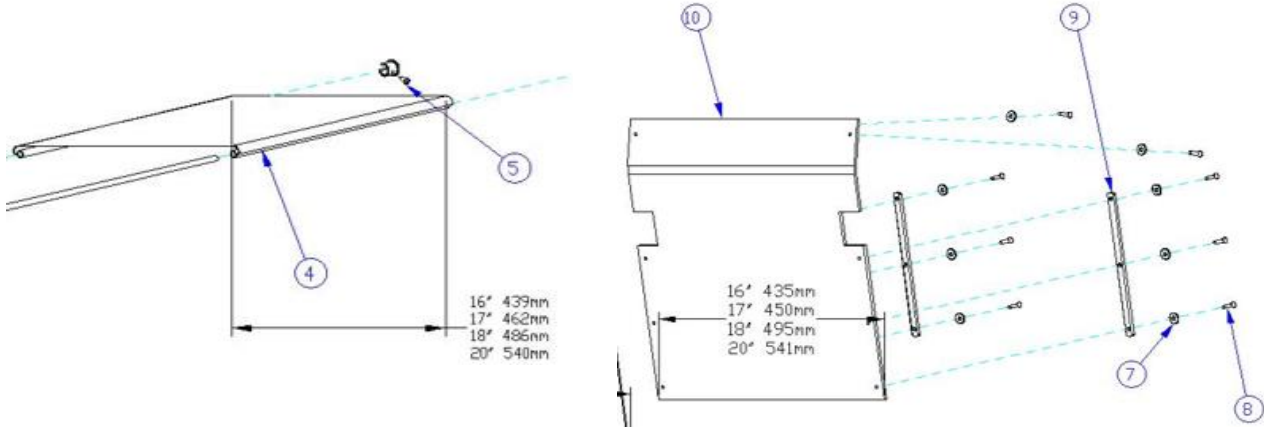
Drawing No.	Item No.	Description	Purchase Price
1 to 5	91370155	Front fork Left/Right for 7" front wheel	
6 to 11	80080005	Front wheel, 7" x 1¼", complete with bearings, PU (BLACK)	

## CE-D09 Spare parts list



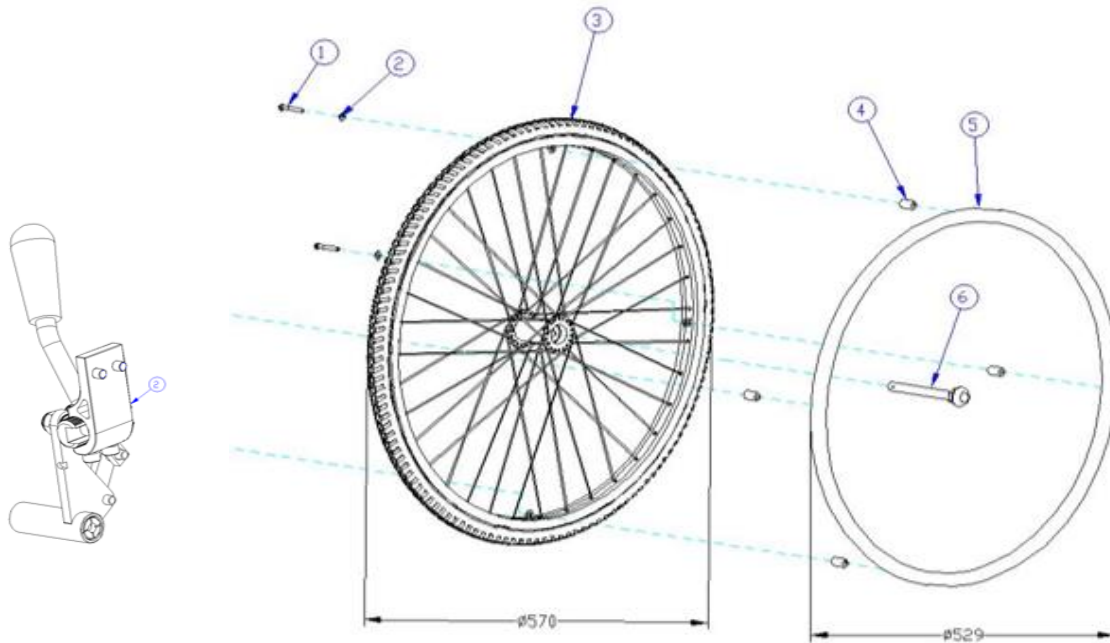
Identification number: TCF-VOMNL- 0136-09H  
 Product group: Manual wheelchair  
 Productname: Excel G-Explorer  
 Batchnumber:

### Seat & back



Drawing No.	Item No.	Description	Purchase Price
4	53371045	Seat canvas 45 cm	
	53371050	Seat canvas 50 cm	
7 to 9	-	Not available as spare part	
10	53372045	Back canvas 45 cm	
	53372050	Back canvas 50 cm	
-	50136091	Seat and back upholstery 45x 42 cm Black	
-	50136092	Seat and back upholstery 50 x 42 cm Black	

### Rear wheel



Drawing No.	Item No.	Description	Purchase Price
1;2 & 4	40136093	Handrim distance bushes incl. bolt (4 pieces)	
3	43370000	Outer tire mountain bike 24" Air	
	43370100	Mountain bike rear wheel 24" x 1,95" Air Left/Right	
5	43370110	24" air tyre	
6	40081000	Quick-release axle with design cap, 13.0 cm	
2	71370000	Brake complete, Left	
	71370010	Brake complete, Right	