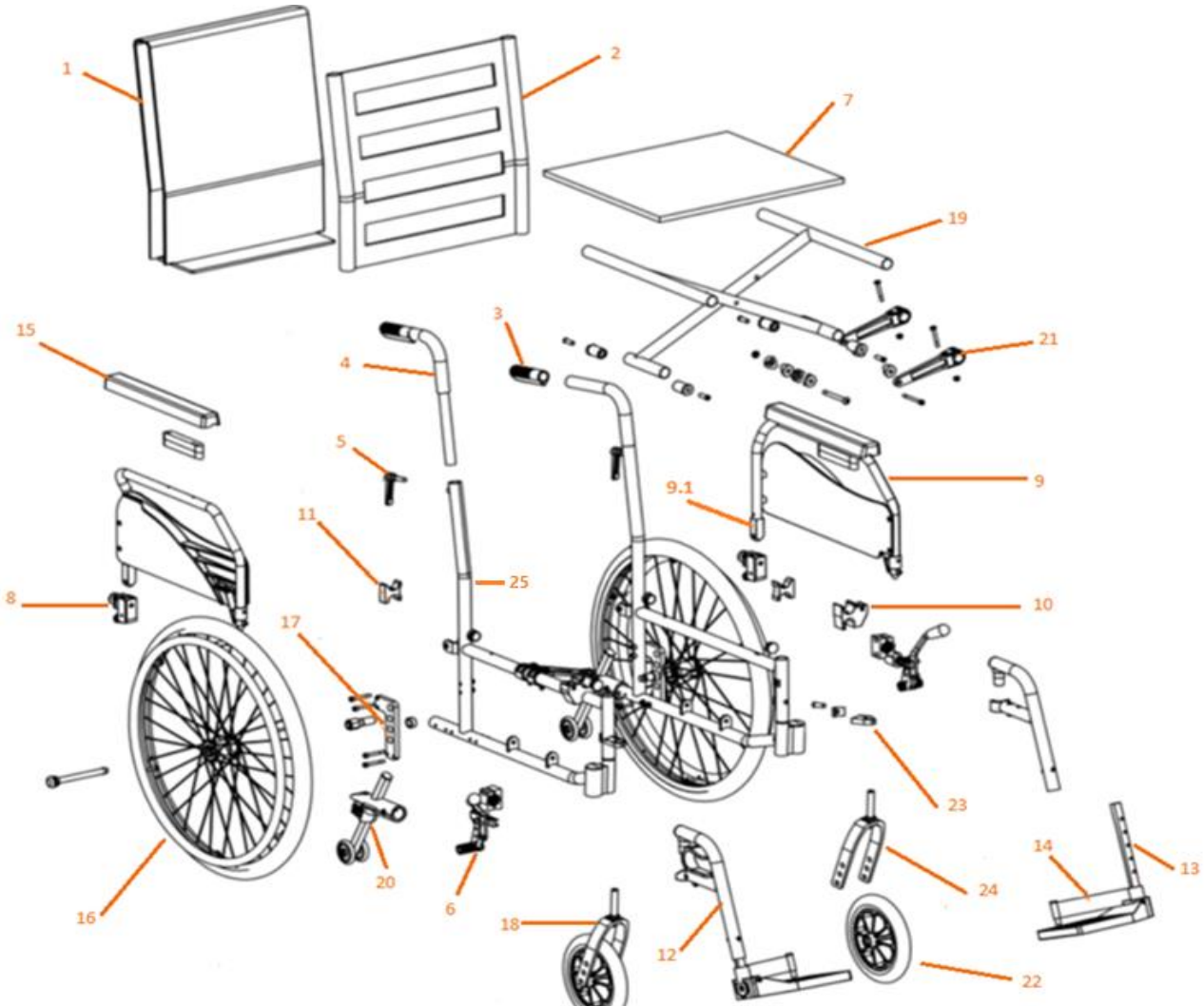


CE-D09-0216-16B Spare parts list



Identification number: TCF-VOMNL-0216-16B
 Product group: Manual wheelchair
 Productname: Excel G-Lightweight
 Batchnumber: From batch 5033

Excel G-Lightweight



Drawing No.	Item No.	Description	Price
1	52163040	Back cushion 40 cm	
1	52163045	Back cushion 45 cm	
1	52163050	Back cushion 50 cm	
2	52162040	Tension strap back upholstery 40 cm (5 straps)	
2	52162045	Tension strap back upholstery 45 cm (5 straps)	
2	52162050	Tension strap back upholstery 50 cm (5 straps)	
3	12168100	Handgrip	
4	12168110	Pushhandle (incl. handgrip)	
5	12161016	Locking lever for pushhandle	
6	72160100	Brake complete (pair)	
7	52161040	Seat upholstery 40 cm incl. mounting	
7	52161045	Seat upholstery 45 cm incl. mounting	
7	52161050	Seat upholstery 50 cm incl. mounting	
8	12160350	Armrest receiving block rear incl. mounting (pair)	
9	32160100	Armrest complete (pair)	
9.1	12160440	Armrest plug rear, incl. screw	
10	12160450	Armrest receiving block front incl. mounting (pair)	
11	12160265	Receiving block for the crossframe incl. mounting	

CE-D09-0216-16B Spare parts list



Identification number: TCF-VOMNL-0216-16B
 Product group: Manual wheelchair
 Productname: Excel G-Lightweight
 Batchnumber: From batch 5033

Excel G-Lightweight

Drawing No.	Item No.	Description	Price
12	62161040	Footrest complete sw 40 cm (pair)	
12	62161045	Footrest complete sw 45-50 cm (pair)	
	62164252	Revision set for footrest (Orange) Right	
	62164257	Revision set for footrest (Orange) Left	
13	62164040	Footplate sw 40 cm incl. insert tube (pair)	
13	62164045	Footplate sw 45-50 cm incl. insert tube (pair)	
14	62165050	Adjustable heel strap incl. mounting	
15	32160110	PU armpad incl. spacers and mounting	
16	42162418	Rear wheel complete 24" x 1 3/8" PU	
-	40216161	Handrim distance bushes incl. bolt (6 pieces)	
17	12162105	Rear wheel adapter LEFT/RIGHT incl. mounting	
18	82160100	Front swivel wheel 8" x 1 1/4" PU incl. front fork	
19	22164040	Crossframe complete sw 40 cm incl. mounting	
19	22164045	Crossframe complete sw 45 cm incl. mounting	
19	22164050	Crossframe complete sw 50 cm (double cross) incl. mounting	
20	92000015	Anti-tipper (pair), for seat height 50 cm	
20	92000012	Anti-tipper (pair), for seat height 52½ and 55cm	
21	22161240	Folding mechanism for crossbar sw 40 cm	
21	22161245	Folding mechanism for crossbar sw 45 cm	
21	22161250	Folding mechanism for crossbar sw 50 cm	
22	82160110	Front wheel 8" x 1 1/4" PU (standard)	
22	82160120	Front wheel 6" PU (option)	
23	12162000	Footrest locking mechanism	
24	82160090	Front fork with bolt	
25	12161345	Sideframe complete 40/45cm, Left	
	12161346	Sideframe complete 40/45cm, Right	
	12161350	Sideframe complete 50cm, Left	
	12161351	Sideframe complete 50cm, Right	

Accessories

Drawing No.	Item No.	Description	Price
-	90081020	Crutch holder incl. mounting material	
-	99993000	Wheelchair bag	
-	12411035	Tension Bar including fixation lever (orange) sw 35 cm	
-	12162040	Tension Bar including fixation lever (orange) sw 40 cm	
-	12411042	Tension Bar including fixation lever (orange) sw 42,5 cm	
-	12162045	Tension Bar including fixation lever (orange) sw 45 cm	
-	12162050	Tension Bar including fixation lever (orange) sw 50 cm	
-	12411055	Tension Bar including fixation lever (orange) sw 55 cm	
-	12411060	Tension Bar including fixation lever (orange) sw 60 cm	
-	52130439	Seat cushion ProComfort, sw 40 cm, sd 42½ to 43 cm	
-	52130444	Seat cushion ProComfort, sw 45 cm, sd 42½ to 43 cm	
-	52130449	Seat cushion ProComfort, sw 50 cm, sd 42½ to 43 cm	
-	52131439	Seat cushion ProComfort, sw 40 cm, sd 45 to 46 cm	
-	52131444	Seat cushion ProComfort, sw 45 cm, sd 45 to 46 cm	
-	52131449	Seat cushion ProComfort, sw 50 cm, sd 45 to 46 cm	