

CE-D09 Spare parts list



Identification number: TCF-VOMNL- 0136-09G

Product group: Manual wheelchair

Productname: Excel G-logic

Batchnumber:

Complete

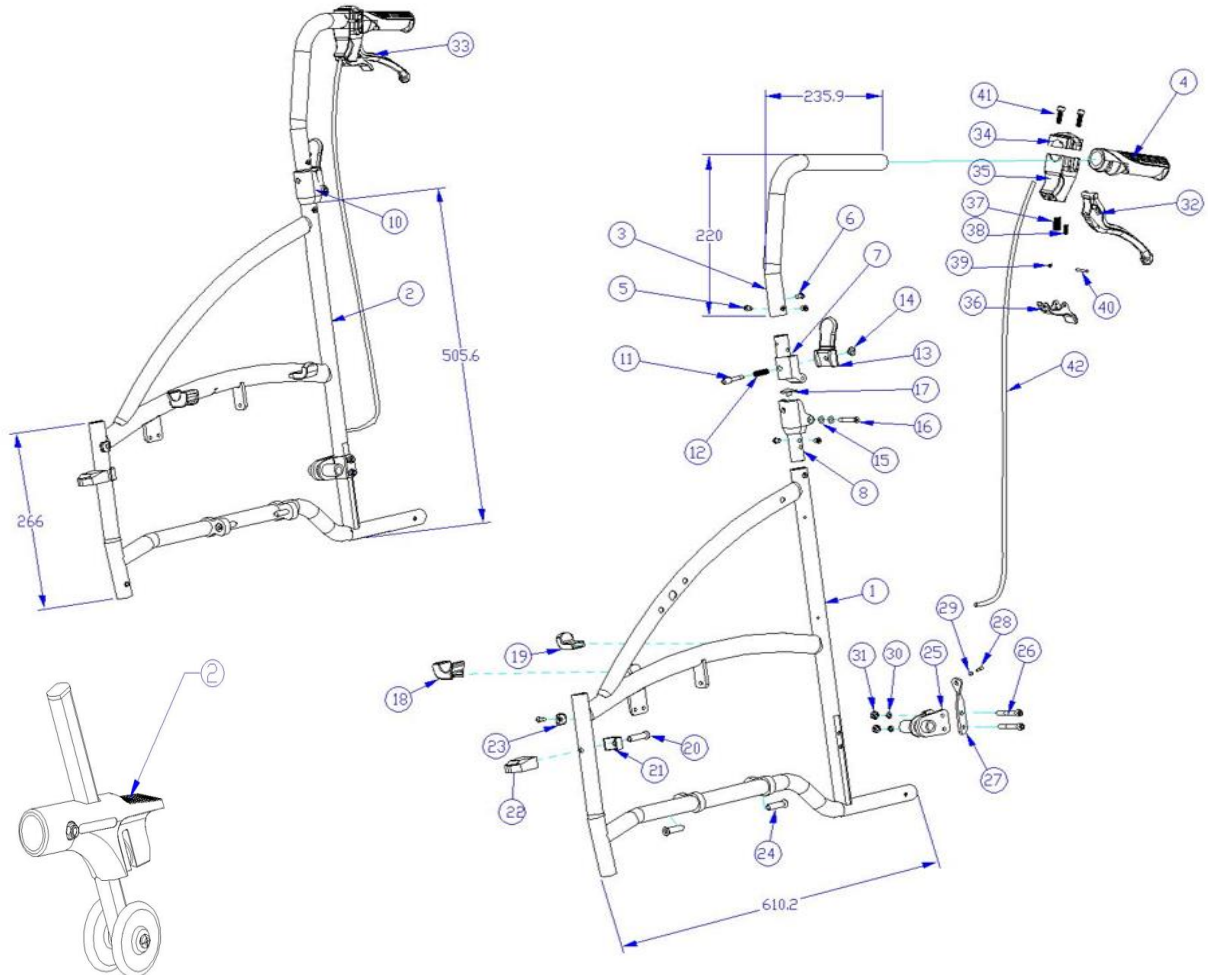


CE-D09 Spare parts list



Identification number: TCF-VOMNL- 0136-09G
 Product group: Manual wheelchair
 Productname: Excel G-logic
 Batchnumber:

Sideframe



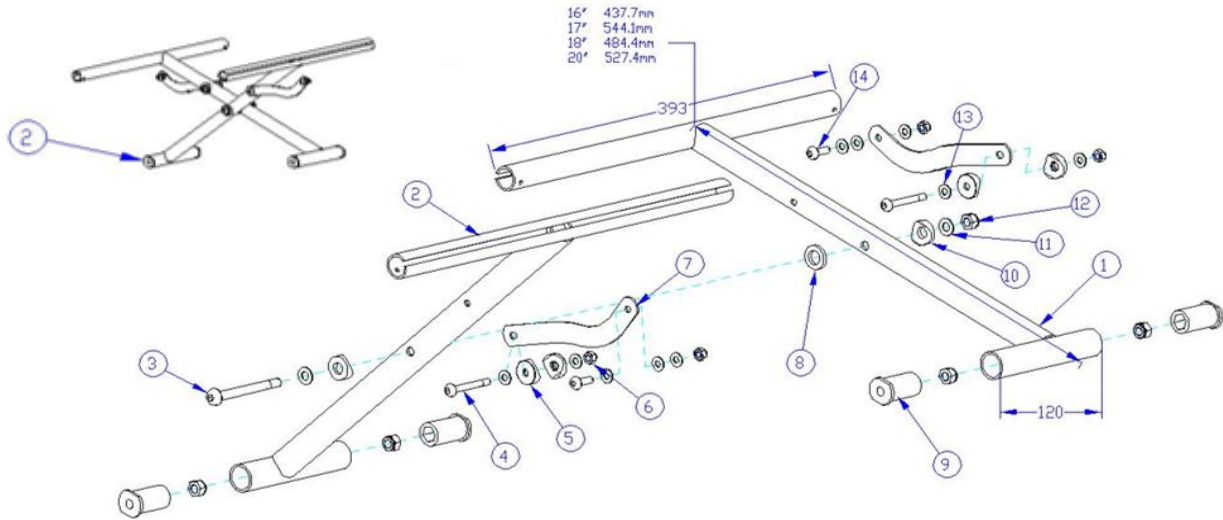
Drawing No.	Item No.	Description	Purchase Price
1	13370043	Side frame Left; Silver	
	13370045	Side frame Left; White	
	13370046	Side frame Left; Black	
2	13370143	Side frame Right; Silver	
	13370145	Side frame Right; White	
	13370146	Side frame Right; Black	
10	11371016	Fixationmechanism with lever for fordable backtube	
20 to 23	12362000	Footrest fixation block (plastic)	
25	13372011	Axel bracket, (sleeve/ring/nut)	
26; 28 to 32	-	Not available as spare part	
27	13371300	Aluminium plate for brake	
34 to 42	-	Not available as spare part	
33	71370110	Brake handle + brake cable Left	
	71370120	Brake handle + brake cable Right	
-2	92000015	Anti-tippers (set of 2)	
-	11373700	Stepper	

CE-D09 Spare parts list



Identification number: TCF-VOMNL- 0136-09G
 Product group: Manual wheelchair
 Productname: Excel G-logic
 Batchnumber:

Crossframe



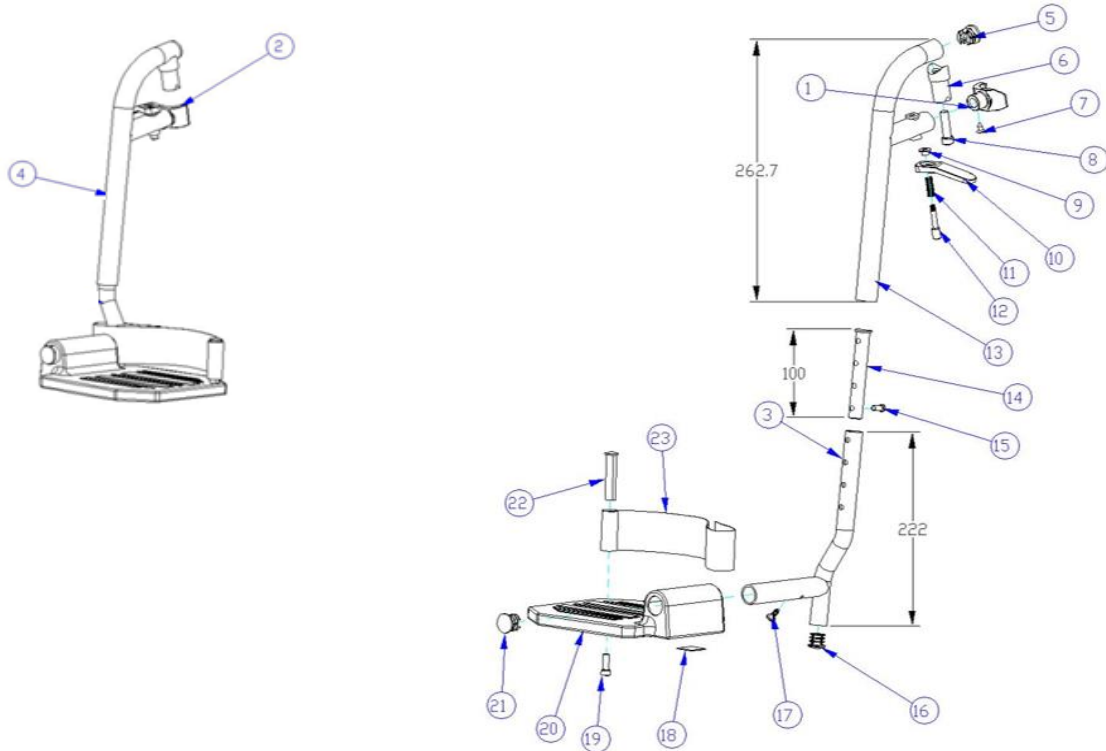
Drawing No.	Item No.	Description	Purchase Price
2	23377040	Cross bar complete incl. folding mechanism, seat width 40cm	
	23377045	Cross bar complete incl. folding mechanism, seat width 45cm	
	23377050	Cross bar complete incl. folding mechanism, seat width 50 cm	
4 to 7	23371600	Folding mechanism black for cross bar, seat width 40 cm	
	23371601	Folding mechanism black for cross bar, seat width 45 cm	
	23371602	Folding mechanism black for cross bar, seat width 50 cm	
9	21370000	Spacer tube, nut, screw for crossframe (set of 4)	
10 to 14	-	Not available as spare part	

CE-D09 Spare parts list



Identification number: TCF-VOMNL- 0136-09G
 Product group: Manual wheelchair
 Productname: Excel G-logic
 Batchnumber:

Legrest



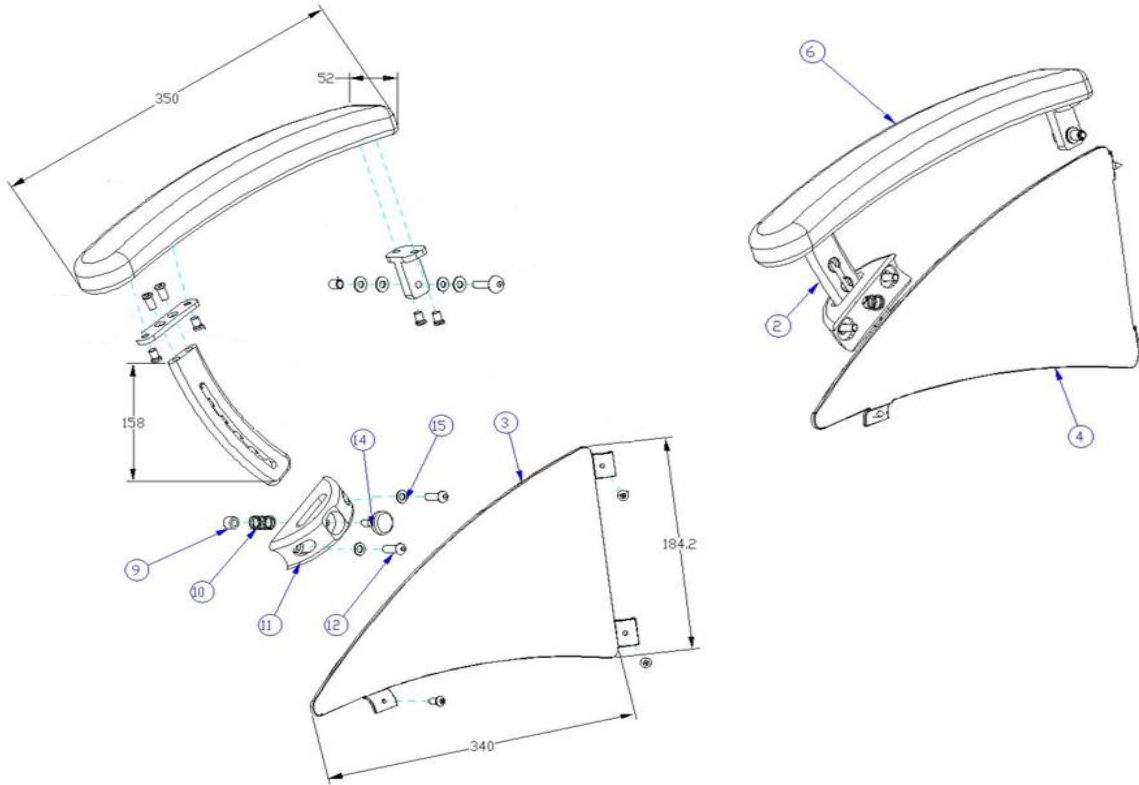
Drawing No.	Item No.	Description	Purchase Price
1 to 2; 5 to 12	63372200	Revision set for footrest Left	
	63372205	Revision set for footrest Right	
3 ; 16 to 23	63373240	Footplate with connection pipe Left	
	63373250	Footplate with connection pipe Right	
4	63374200	Footrest complete, seat width 40/50 cm Left (Silver)	
	63374210	Footrest complete, seat width 40/50 cm Right (Silver)	
	63373020	Elevating legrest complete, 2nd generation, seat width 40/50 cm Left	
	63373030	Elevating legrest complete, 2nd generation, seat width 40/50 cm Right	
	63370200	Footrest complete, seat width 40/50 cm Left (White)	
	63370210	Footrest complete, seat width 40/50 cm Right (White)	
	63376200	Footrest complete, seat width 40/50 cm Left (Black)	
	63376210	Footrest complete, seat width 40/50 cm Right (Black)	
13	-	Not available as spare part	
14 & 15	63375000	Spacer tube for adjusting lower footrest tube (set of 2)	
15	20032401	Countersunk Screw for legrest (set of 10)	
22 & 23	61374640	Heel loop, nylon complete with mounting material	

CE-D09 Spare parts list



Identification number: TCF-VOMNL- 0136-09G
 Product group: Manual wheelchair
 Productname: Excel G-logic
 Batchnumber:

Armrest



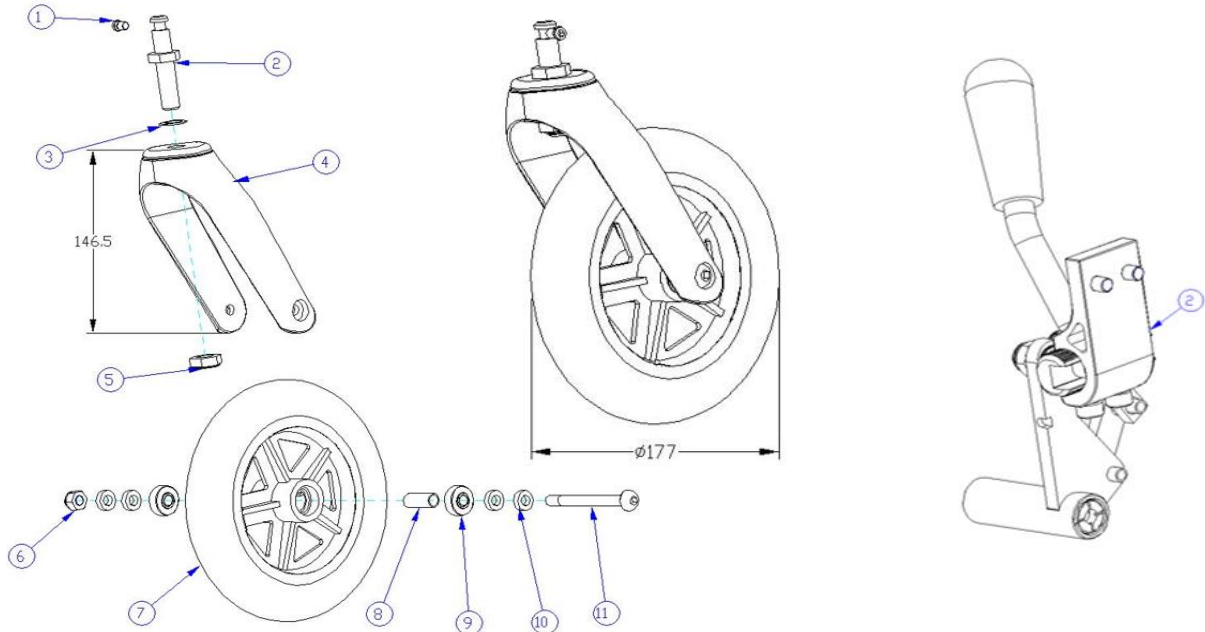
Drawing No.	Item No.	Description	Purchase Price
2 & 6	31370000	Armpad with height adjustable kit Left	
	31370010	Armpad with height adjustable kit Right	
3	33370105	Sideplate armrest Left	
4	33370115	Sideplate armrest Right	
9; 10 & 14	31371005	Pushbutton + spring for armrest	
9 to 15	31371015	Height adjustable kit for armpad Left/Right	

CE-D09 Spare parts list



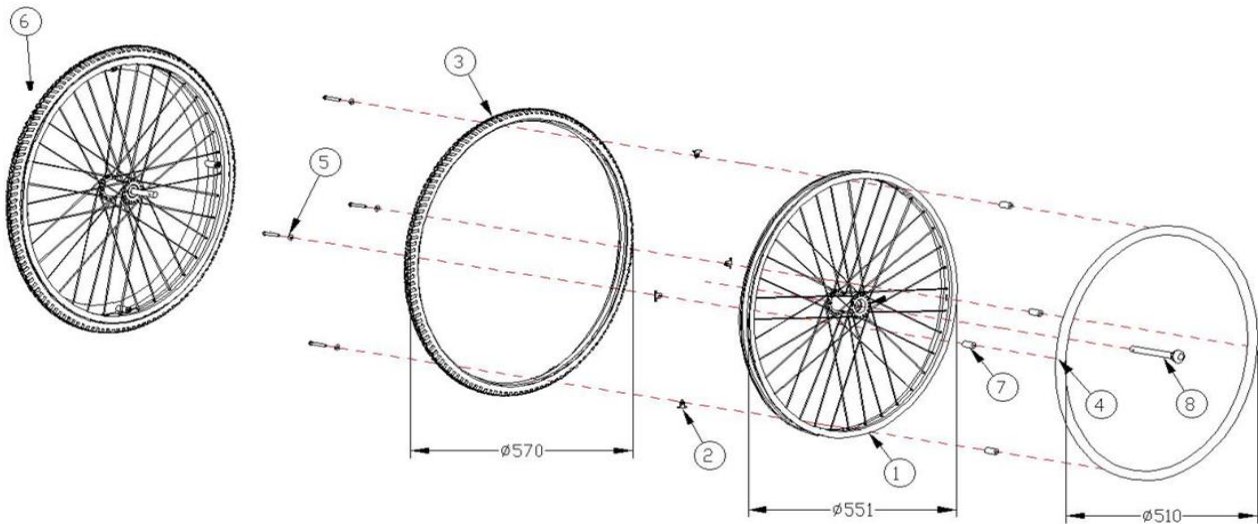
Identification number: TCF-VOMNL- 0136-09G
 Product group: Manual wheelchair
 Productname: Excel G-logic
 Batchnumber:

Front fork + front wheel



Drawing No.	Item No.	Description	Purchase Price
1 to 5	91370155	Front fork Left/Right for 7" front wheel	
6 to 11	80080005	Front wheel, 7" x 1¼", complete with bearings, PU (BLACK)	
2	71370000	Brake complete, Left	
	71370010	Brake complete, Right	

Rear Wheel



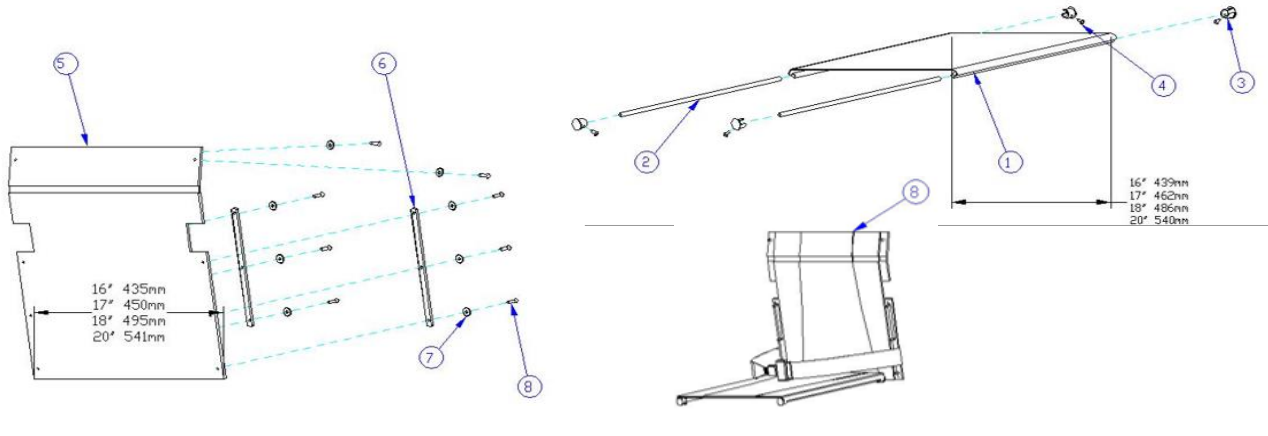
Drawing No.	Item No.	Description	Purchase Price
1	40010000	Outer tire 24"x 1 3/8" Air	
2;5 & 7	40136092	Handrim distance bushes incl. bolt (4 pieces)	
6	43370005	24" x 1 3/8" rear wheel Left/Right PU, Black	
	43370104	24" x 1 1/4" rear wheel Air Left/Right	
7	-	Not available as spare part	
8	40081000	Quick-release axle with design cap, 13.0 cm	

CE-D09 Spare parts list



Identification number: TCF-VOMNL- 0136-09G
 Product group: Manual wheelchair
 Productname: Excel G-logic
 Batchnumber:

Back & Seat



Drawing No.	Item No.	Description	Purchase Price
1	53371040	Seat canvas 40 cm	
	53371045	Seat canvas 45 cm	
	53371050	Seat canvas 50 cm	
2 to 4	-	Not available as spare part	
5	53372040	Back canvas 40 cm	
	53372045	Back canvas 45 cm	
	53372050	Back canvas 50 cm	
6 to 7	-	Not available as spare part	
8	53373040	Seat and back upholstery 40 x 42 cm Blue	
	53373045	Seat and back upholstery 45 x 42 cm Blue	
	53373050	Seat and back upholstery 50 x 42 cm Blue	
	53373340	Seat and back upholstery 40 x 42 cm Brown	
	53373345	Seat and back upholstery 45 x 42 cm Brown	
	53373350	Seat and back upholstery 50 x 42 cm Brown	
	53373140	Seat and back upholstery 40 x 42 cm Red	
	53373145	Seat and back upholstery 45 x 42 cm Red	
	53373150	Seat and back upholstery 50 x 42 cm Red	
	53373240	Seat and back upholstery 40 x 42 cm Orange	
	53373245	Seat and back upholstery 45 x 42 cm Orange	
	53373250	Seat and back upholstery 50 x 42 cm Orange	
	90131010	Crutchholder with mounting material and 4 stauff blocks	