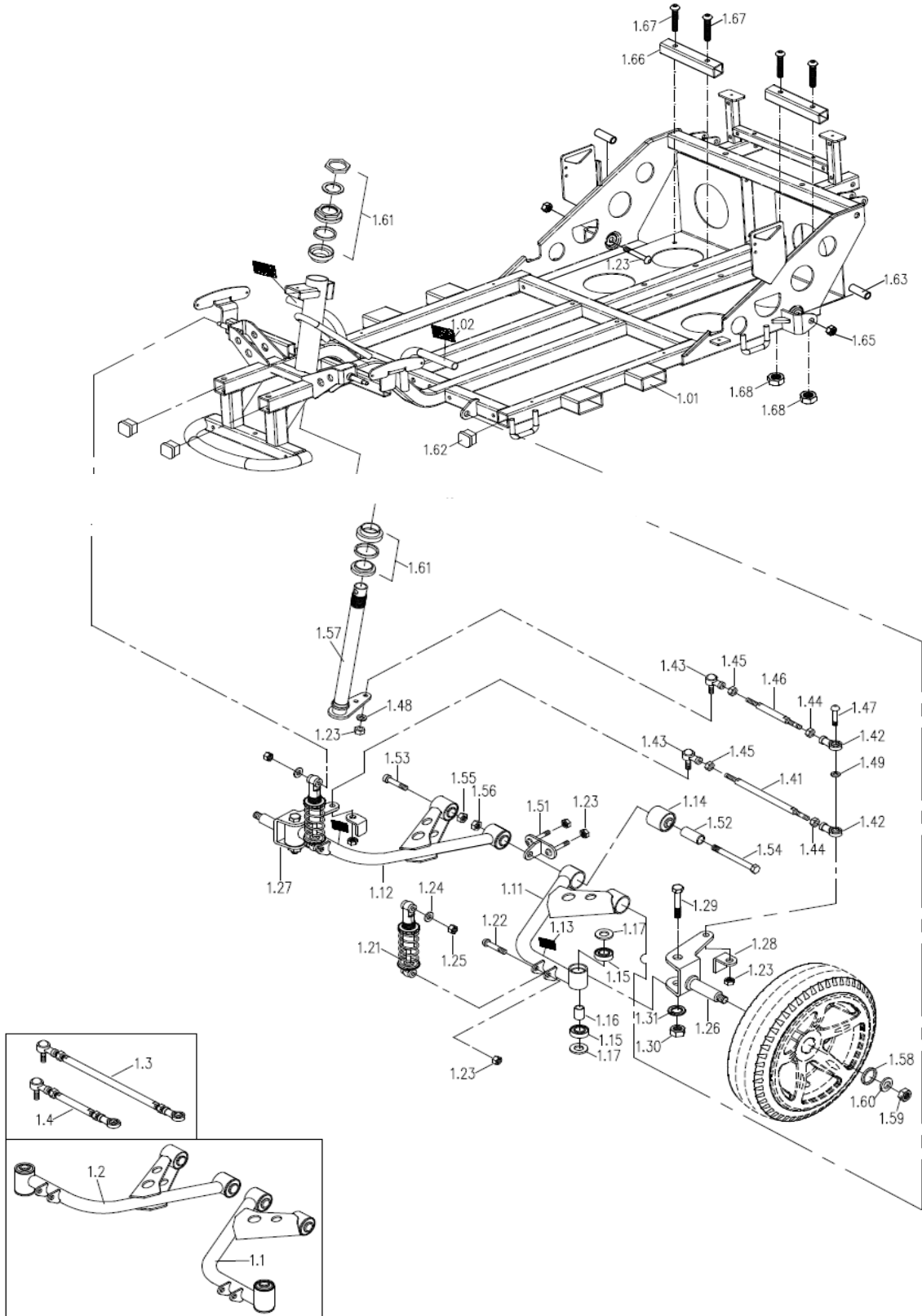


CE-D09 Spare parts list



Identification number: TCF-VOMNL - 0973-14B
Product group: Mobility Scooter
Productname: Galaxy II 4-wheel / S846GBXXVA52
Batchnumber: -

Front Frame



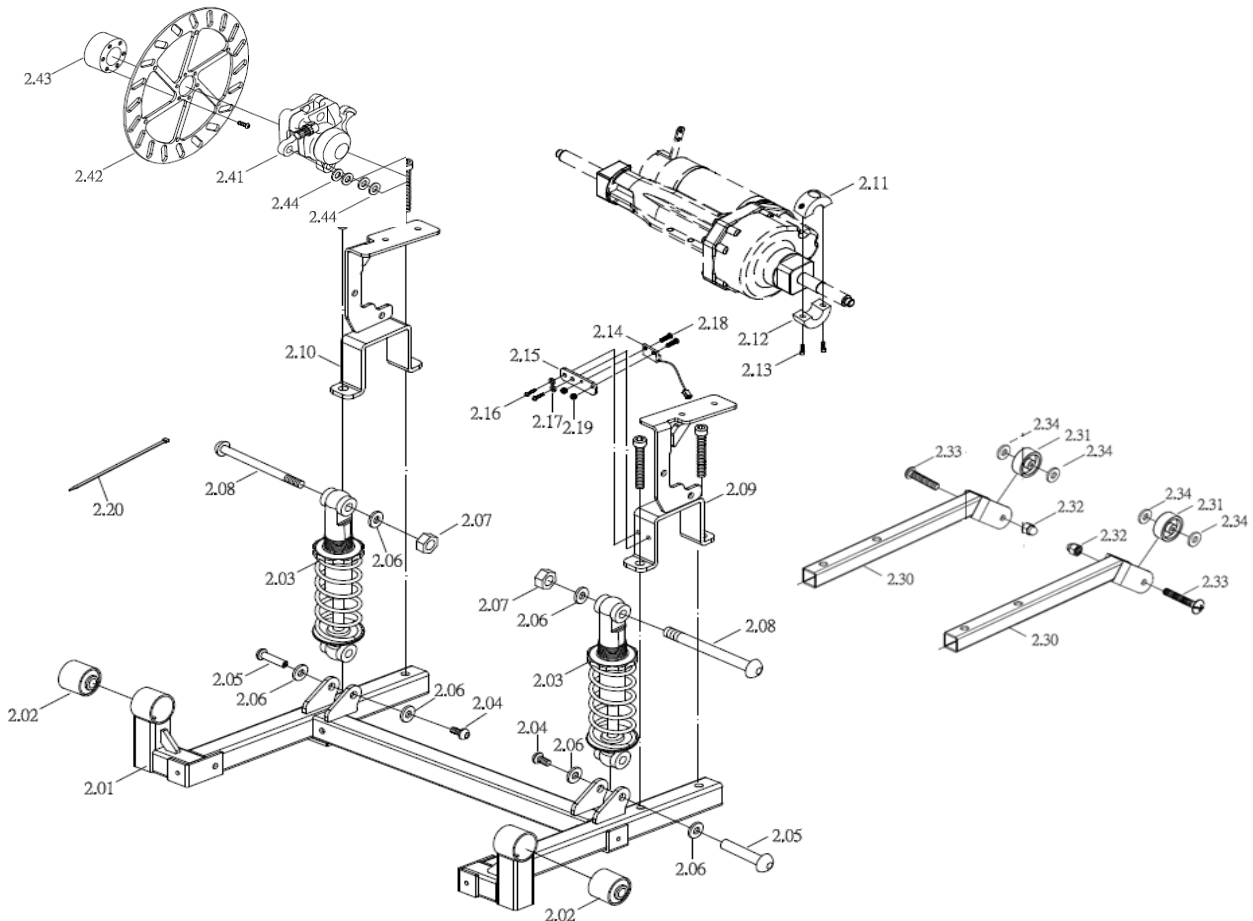
CE-D09 Spare parts list



Identification number: TCF-VOMNL - 0973-14B
 Product group: Mobility Scooter
 Productname: Galaxy II 4-wheel / S846GBXXVA52
 Batchnumber: -

Drawing No.	Item No.	Description	Purchase Price
1.01	99741370	Front frame	
1.02 to 1.04	-	Not available as spare part	
1.1	99710005	Front train complete Left, incl. mounting material	
1.2	99710010	Front train complete Right, incl. mounting material	
1.11 to 1.17	-	Not available as spare part	
1.21	99710330	Suspension complete 165L Black (150LBS/IN)	
1.22 to 1.25	-	Not available as spare part	
1.26	99710100	Front wheel axle set Left	
1.27	99710110	Front wheel axle set Right	
1.28	99710120	Stopper seat base, set of 2	
1.29 to 1.31	-	Not available as spare part	
1.3	99710470	Steering axle Long 10*356L	
1.4	99710540	Steering axle Short 10*156L	
1.41 to 1.49	-	Not available as spare part	
1.51	95131190	T-bracket set	
1.52 to 1.56	-	Not available as spare part	
1.57	99710050	Steering axle assembly (ED)	
1.58 & 1.60	53300028	Bearing set for the front wheel	
1.59	53210003	Nylon cap for front wheel	
1.61	93130010	Bearing set of the bearing house	
1.62 to 1.65	-	Not available as spare part	
1.66 & 1.67	41100026	Accu stopping tube	
1.68	-	Not available as spare part	
-	7563742003	Sensor for half speed from batch #5260	

Rear frame assembly



CE-D09 Spare parts list

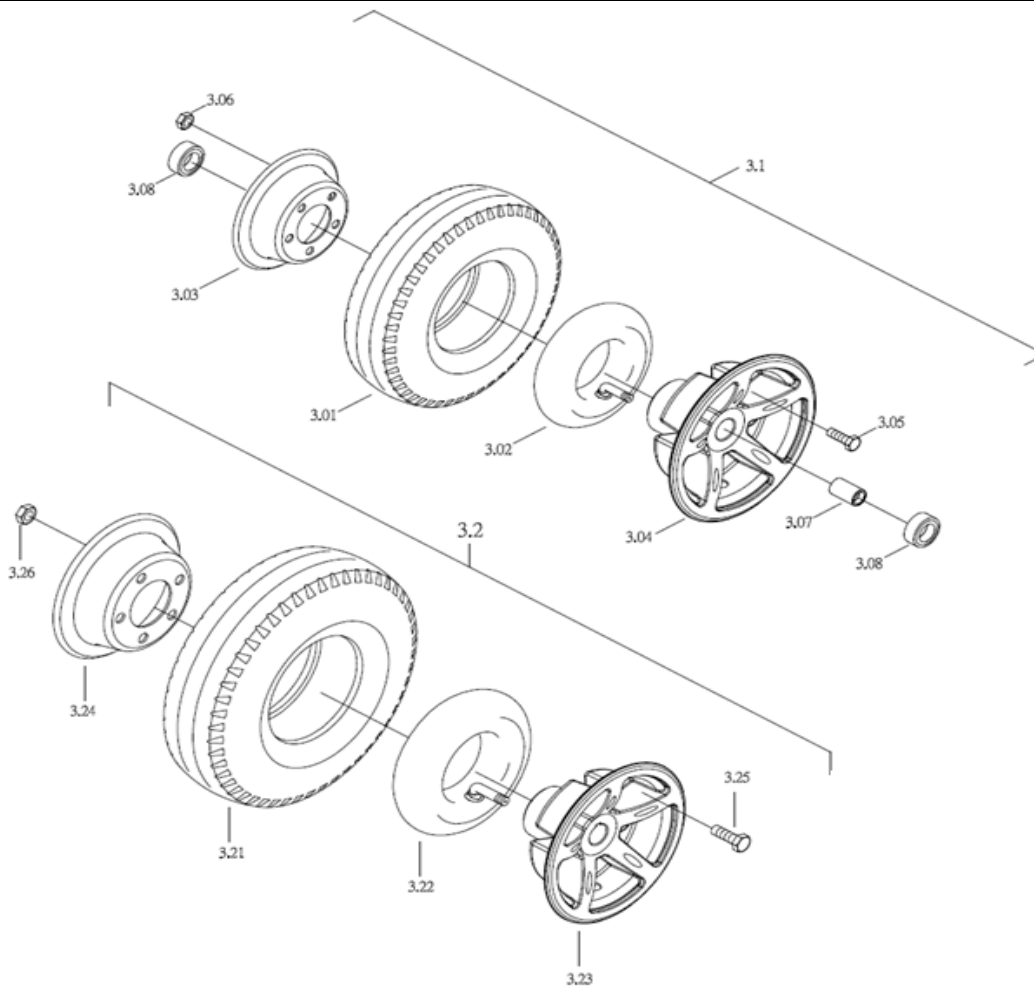


Identification number: TCF-VOMNL - 0973-14B
 Product group: Mobility Scooter
 Productname: Galaxy II 4-wheel / S846GBXXVA52
 Batchnumber: -

Rear frame assembly

Drawing No.	Item No.	Description	Purchase Price
2.01 to 2.03	30403149	Rear frame complete, excl. Anti-tippers	
2.03	95130335	Suspension Black 165L (550LBS/IN)	
2.04 to 2.08	-	Not available as spare part	
2.09 & 2.10	99730385	Mounting set for Transaxle	
2.11 to 2.13	41300442	Magnet for sensor odometer	
2.14	61090063	Sensor for odometer	
2.15	41200487	Bracket for sensor odometer	
2.16 to 2.20	-	Not available as spare part	
2.41	42700013	Rear disk brake incl. connecting hook	
2.42 to 2.44	41200307	Disc brake $\phi 158 \times 2.0T$	
2.30 to 2.34	99741381	Anti-tipper Left	
	99741391	Anti-tipper Right	

Wheel assembly



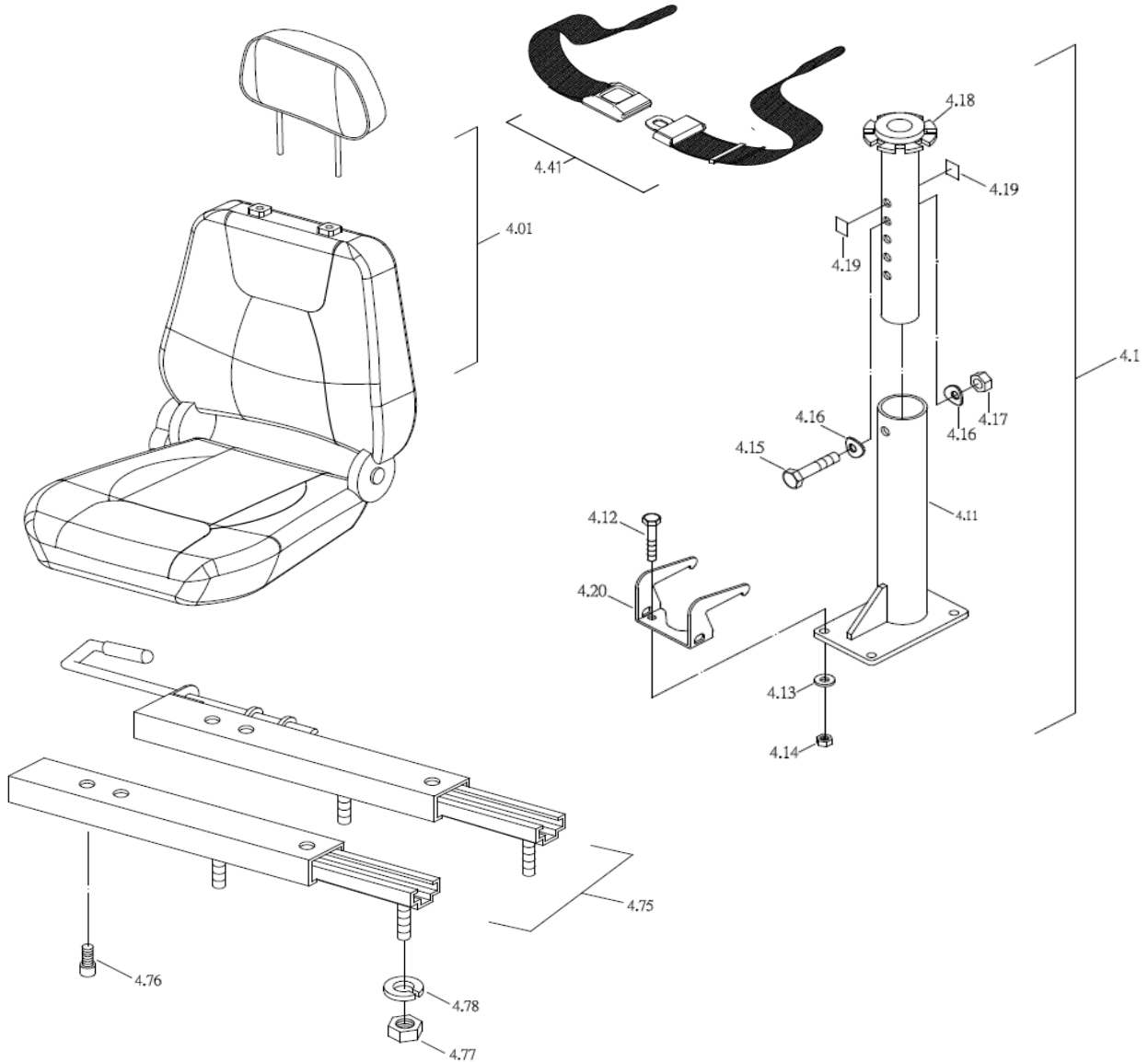
Drawing No.	Item No.	Description	Purchase Price
3.1	99740520	Front wheel assembly 4.00-5 (5")	
3.01 & 3.21	99740680	Outer tyre 4.00-5 Black	
3.02 & 3.22	93130690	Inner tyre 4.00-5	
	99730740	Rim silver (set of 4 pieces)	
3.03 to 3.08; 3.23 to 3.26	99730720	Rim gloss black (set of 4 pieces)	
	99730710	Rim black with silver polished (set of 4 pieces)	
	99730730	Rim titanium (set of 4 pieces)	
3.08	53300028	Bearing set for frontwheel (set of 2 pieces) 6003ZZ	
3.2	99740660	Rear wheel assembly 4.00-5 (5")	

CE-D09 Spare parts list



Identification number: TCF-VOMNL - 0973-14B
 Product group: Mobility Scooter
 Productname: Galaxy II 4-wheel / S846GBXXVA52
 Batchnumber: -

Seat assembly



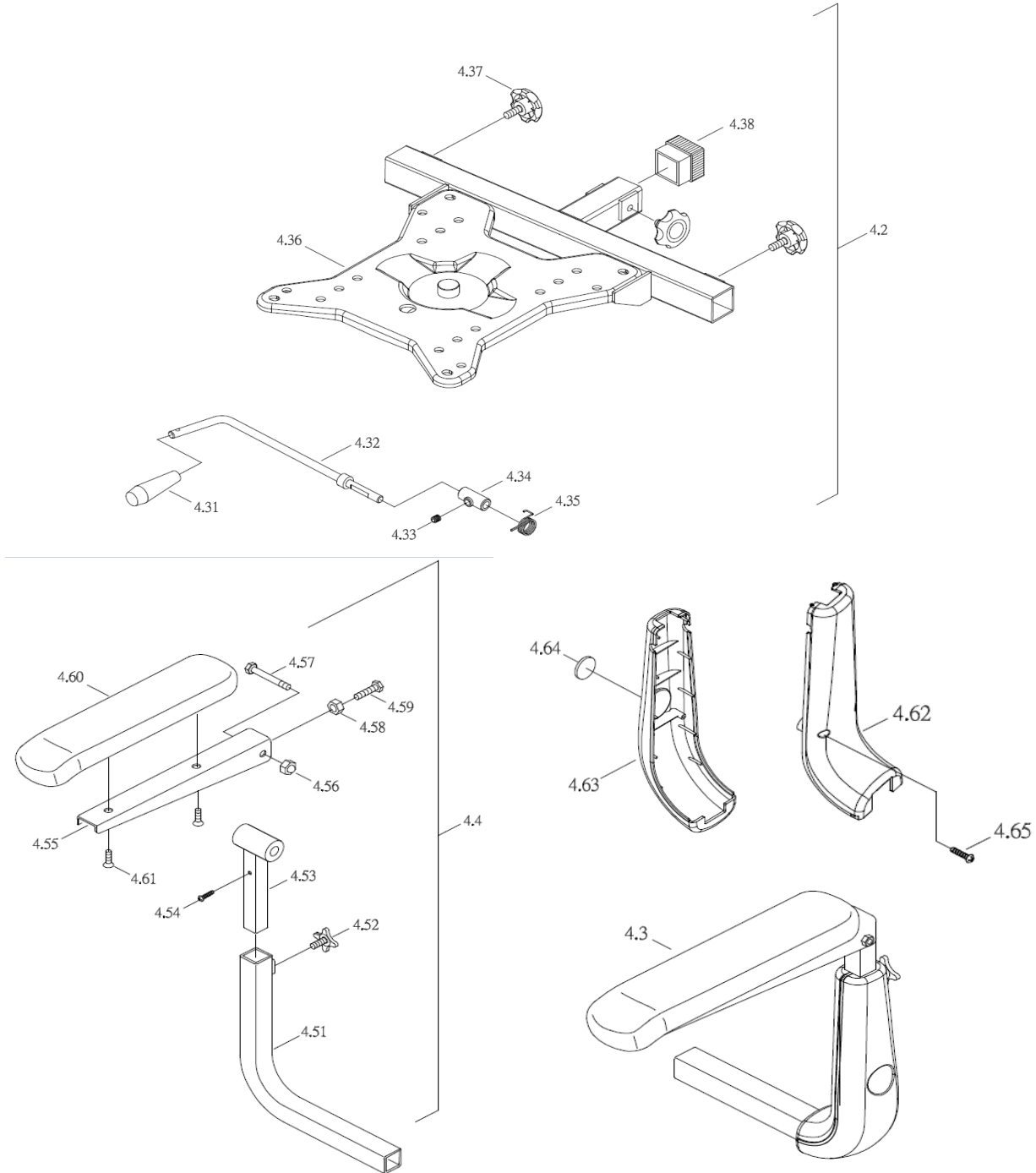
Drawing No.	Item No.	Description	Purchase Price
4.01	93130861	Excellence seat with angle adjust back and headrest Standard	
	93130862	Excellence seat with angle adjust back and headrest Burgundy	
	93130863	Excellence seat with angle adjust back and headrest Light Beige	
	93130864	Excellence seat with angle adjust back and headrest Coffee Brown	
4.1	93130750	Seat post assembly	
4.11	95130280	Lower seat post	
4.12 to 4.14	93130770	Mountingset seatpost (4x bolt, 4x nut, 4x washer)	
4.15 to 4.17	-	Not available as spare part	
4.18	95130315	Seat post tube with suspension	
	93130755	Seat post with suspension	
4.19	-	Not available as spare part	
4.20	95130275	Hook of battery belt	
4.41	90360200	Safety belt	
4.75	93130960	Slide mechanism complete	
4.76 to 4.78	-	Not available as spare part	

CE-D09 Spare parts list



Identification number: TCF-VOMNL - 0973-14B
 Product group: Mobility Scooter
 Productname: Galaxy II 4-wheel / S846GBXXVA52
 Batchnumber: -

Seat assembly (1)



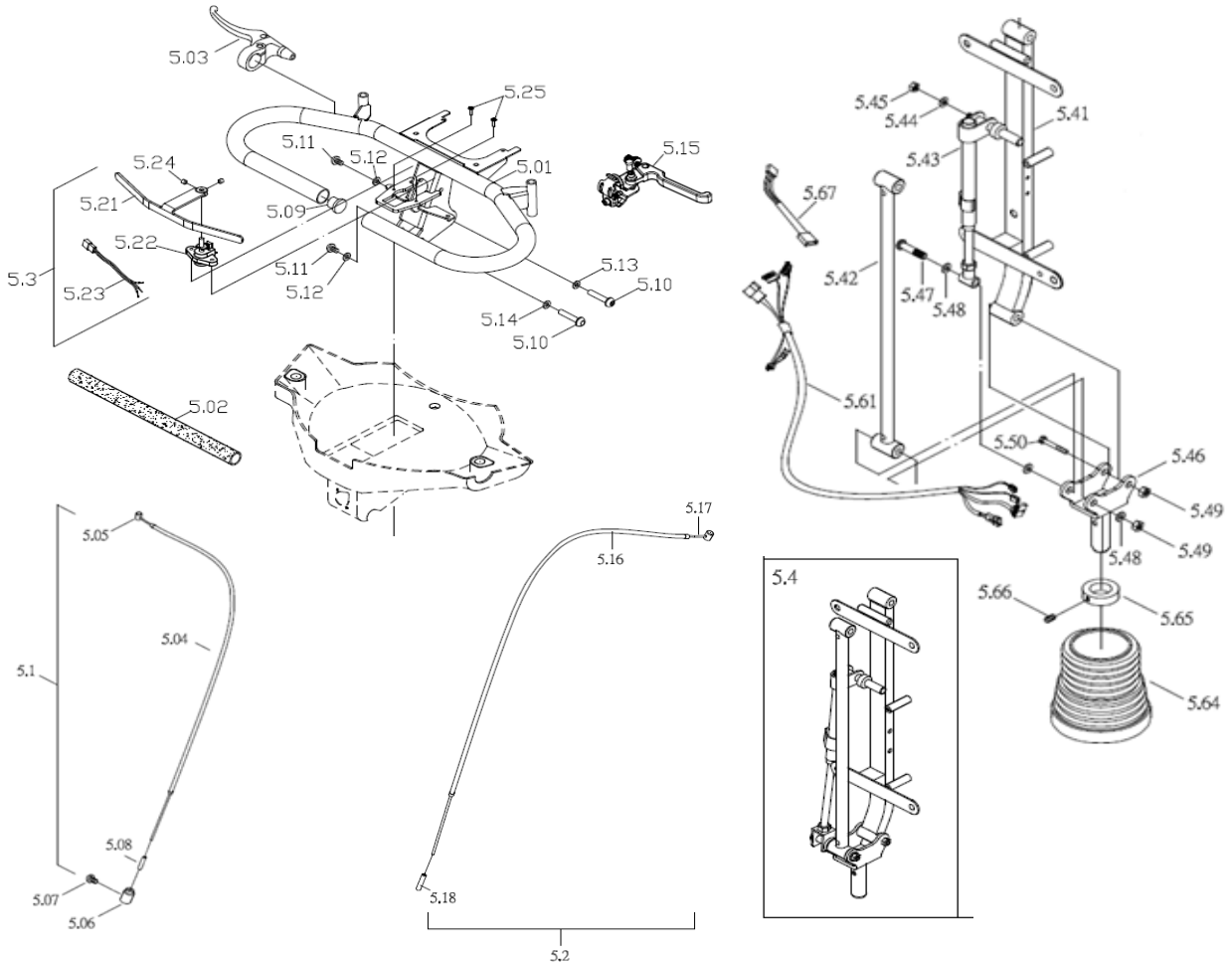
Drawing No.	Item No.	Description	Purchase Price
4.3	93900020	Armrest Left	
4.4	93900030	Armrest Right	
4.51	-	Not available as spare part	
4.52	95030545	Knob M8*15L	
4.53 to 4.59	-	Not available as spare part	
4.60	93131370	Arm pad PU Black	
4.61	-	Not available as spare part	
4.62 to 4.65	95030590	Protective cover armrest ABS Black, Left	
	95030595	Protective cover armrest ABS Black, Right	

CE-D09 Spare parts list



Identification number: TCF-VOMNL - 0973-14B
 Product group: Mobility Scooter
 Productname: Galaxy II 4-wheel / S846GBXXVA52
 Batchnumber: -

Tiller



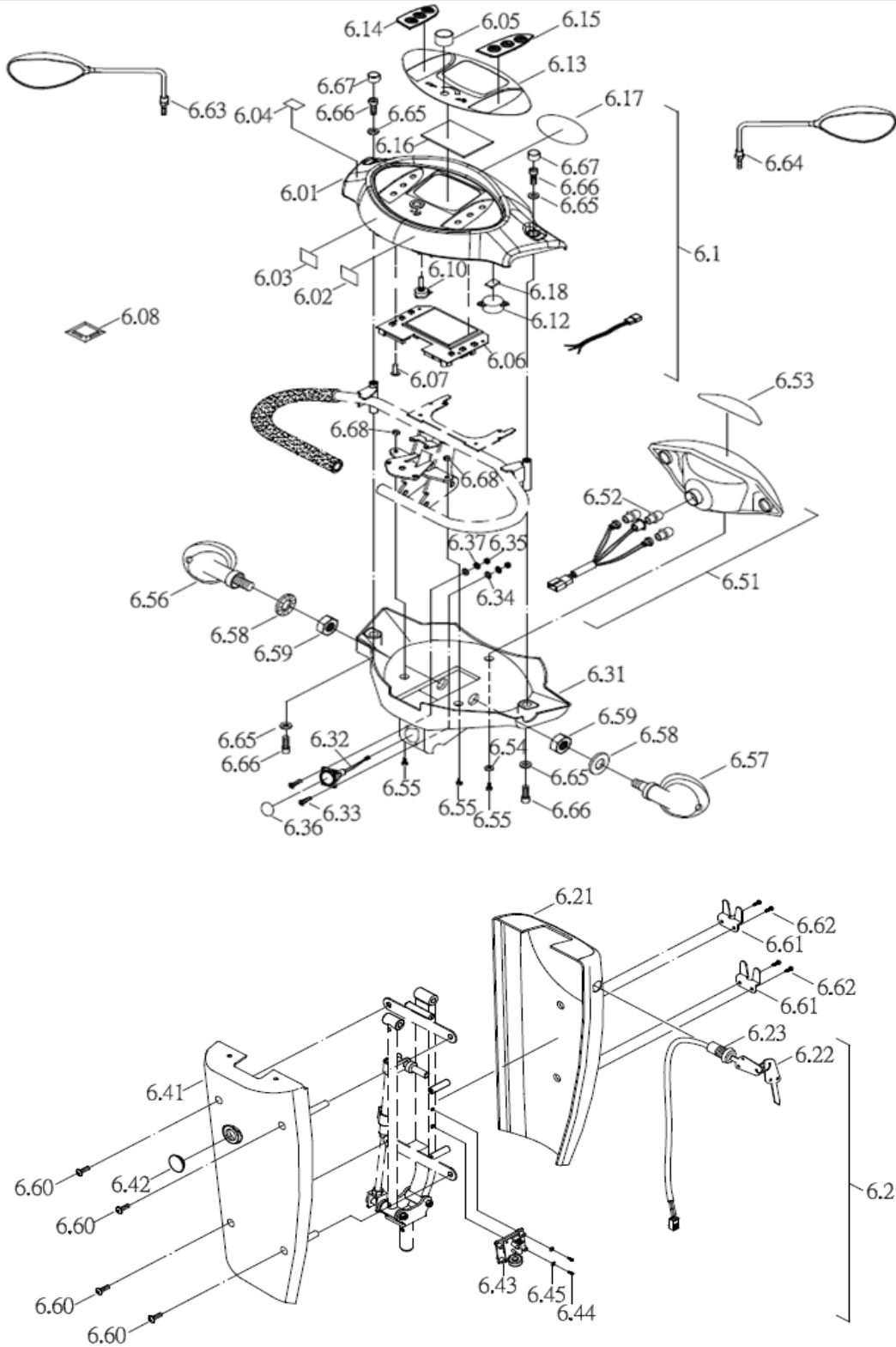
Drawing No.	Item No.	Description	Purchase Price
5.01	-	Not available as spare part	
5.02	97061340	Foam sleeve 2pcs	
5.03 + 5.1	97001540	Lever for tiller adjustment	
5.04 to 5.14	-	Not available as spare part	
5.15 + 5.2	99700110	Lever brake + brake cable Right	
5.16 to 5.18	-	Not available as spare part	
5.3	97061760	Throttle lever complete with potentiometer and cable untill batch #4215	
	33500799	Throttle lever complete with potentiometer & LCD cable from batch #4215	
5.21	-	Not available as spare part	
5.22	61020023	Potentiometer, VR5K,CTS,576S0083 from batch #4215	
	95130675	Potentiometer untill batch #4215	
5.23 to 5.25	-	Not available as spare part	
5.4	99701855	Frame for tiller adjustment	
5.41 to 5.45	-	Not available as spare part	
5.46	95130855	Tiller fixation square	
5.47 to 5.50	-	Not available as spare part	
5.61	63180091	Main cable for tiller LCD	
	99731835	Main cable for tiller Rhino 2 with USB port	
5.64	99701110	Rubber boot	
5.65	95130925	Clamp ring	
5.66	-	Not available as spare part	
5.67	63453028	Polarity conversion line for rear light	

CE-D09 Spare parts list



Identification number: TCF-VOMNL - 0973-14B
 Product group: Mobility Scooter
 Productname: Galaxy II 4-wheel / S846GBXXVA52
 Batchnumber: -

Tiller (1)



CE-D09 Spare parts list



Identification number: TCF-VOMNL - 0973-14B
 Product group: Mobility Scooter
 Productname: Galaxy II 4-wheel / S846GBXXVA52
 Batchnumber: -

Drawing No.	Item No.	Description	Purchase Price
6.1	30509084	Upper dashboard assembly Tuscan Red LCD	
	30521080	Upper dashboard assembly Champagne LCD	
	99731650	Upper dashboard assembly Lightning Blue LCD	
	99741651	Upper dashboard assembly Midnight Black LCD	
	30598129	Upper dashboard assembly Macadamia Brown LCD	
	30550205	Upper dashboard assembly Emerald Green LCD	
	30598111	Upper dashboard assembly Mountain Earth Brown LCD	
	30529072	Upper dashboard assembly Royal Palladium Gold LCD	
	30543240	Upper dashboard assembly Tour-de-France Blue LCD	
6.01 to 6.04	-	Not available as spare part	
6.05	61180189	Speed adjustment knob LCD	
	93131710	Speed adjustment knob	
6.06	99731695	PC-board LCD	
	99731690	PC-board with battery indication meter (HR)	
6.07 to 6.09	-	Not available as spare part	
6.10	61020006	Potentiometer speed, VR30K, COSMOS RV24 for LCD	
	97071700	Potentiometer speed	
6.12	61170013	Claxon LCD	
	95130740	Claxon	
6.13	75171349	Dashboard sticker LCD	
	97071745	Dashboard foil incl. connector; Tip-touch display	
6.14	44689128	Key pad Left	
6.15	44689129	Key pad Right	
6.16	43690399	LCD cover board	
	61098058	Emergency stop button from batch #5260	
	63770837	emergency stop switch cable from batch #5260	
6.17 to 6.18	-	Not available as spare part	
6.2	30509087	Tiller cover front assembly incl. ignition Tuscan Red	
	30521061	Tiller cover front assembly incl. ignition Champagne	
	99701840	Tiller cover front assembly incl. ignition Lightning Blue	
	99741841	Tiller cover front assembly incl. ignition Midnight Black	
	99741842	Tiller cover front assembly incl. ignition Macadamia Brown	
	30550206	Tiller cover front assembly incl. ignition Emerald Green	
	30543242	Tiller cover front assembly incl. ignition Tour-de-france Blue	
	30529074	Tiller cover front assembly inc. Ignition Royal Palladium Gold	
	30598112	Tiller cover front assembly incl. Mountain Earth Brown	
6.21	-	Not available as spare part	
6.22	7542600001	Key, 2 pcs	
6.23	97361880	Ignition switch with connecting wire	
6.31 to 6.33	30509066	Dashboard cover under Tuscan Red	
	30521065	Dashboard cover under Champagne	
	30543065	Dashboard cover under Lightning Blue	
	99741671	Dashboard cover under Midnight Black	
	99741672	Dashboard cover under Macadamia Brown	
	30550209	Dashboard cover under Emerald Green	
	30543245	Dashboard cover under Tour-de-France Blue	
	30529077	Dashboard cover under Royal Palladium Gold	
	30598119	Dashboard cover under Mountain Earth Brown	
6.32	7533700256	Charger socket set	
6.33 to 6.37	-	Not available as spare part	
6.41 & 6.42	99731851	Tiller cover back, Grey with USB-saving	
6.43	61100069	Power convert board	
6.44 to 6.45	-	Not available as spare part	
6.51	97031100	Head light assembly with cable	
6.52	99700073	Head light bulb 12V/15W, set of 5 pcs	
6.53 to 6.55	-	Not available as spare part	

CE-D09 Spare parts list

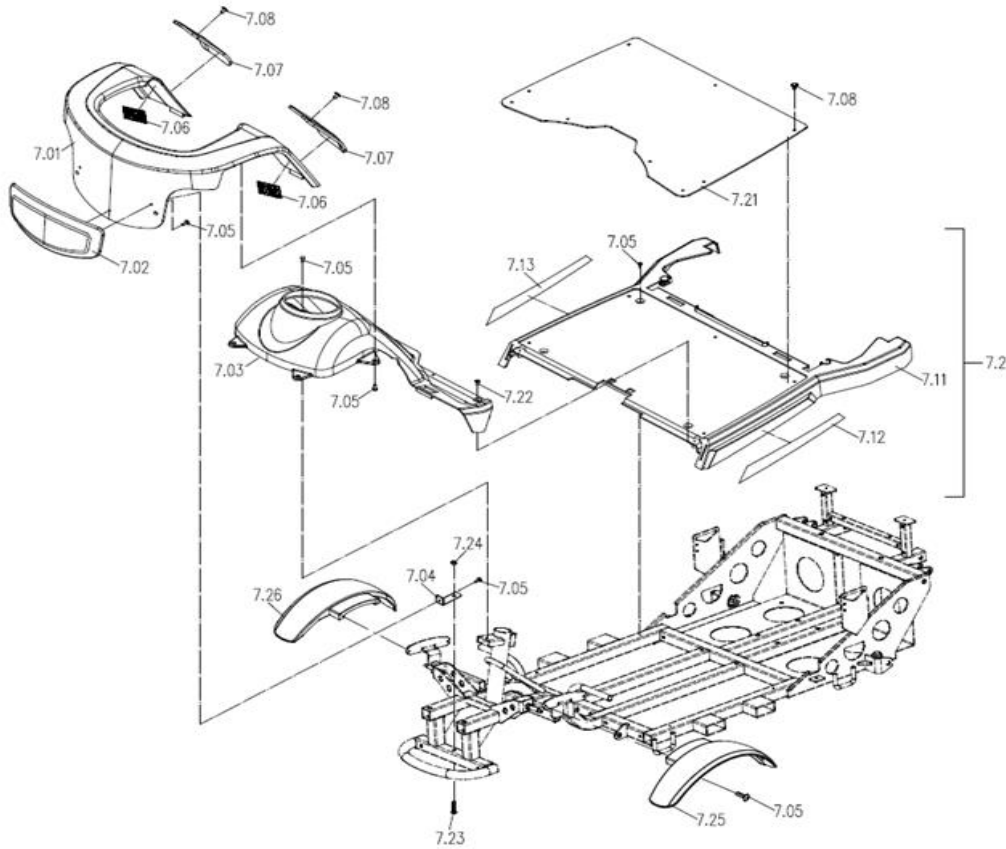


Identification number: TCF-VOMNL - 0973-14B
 Product group: Mobility Scooter
 Productname: Galaxy II 4-wheel / S846GBXXVA52
 Batchnumber: -

Tiller (1)

Drawing No.	Item No.	Description	Purchase Price
6.56	99701400	Front indicator unit 12V/10W Left	
6.57	99701410	Front indicator unit 12V/10W Right	
6.58 to 6.60, 6.68	-	Not available as spare part	
6.61 & 6.62	93131900	Basket bracket, set of 2	
6.63 & 6.64	91010970	Mirror set Left and Right	
6.65 to 6.66	-	Not available as spare part	
6.67	43600156	Cap nut for Mirror, set of 10	

Basket & accessoires



Drawing No.	Item No.	Description	Purchase Price
7.01	30509061	Front shroud Tuscan Red	
	30521058	Front shroud Champagne	
	39743005	Front shroud Lightning Blue	
	39743001	Front shroud Midnight Black	
	39743002	Front shroud Macadamia Brown	
	30550203	Front shroud Emerald Green	
	30543236	Front shroud Tour-de-France Blue	
	30529068	Front shroud Royal Palladium Gold	
	30598114	Front shroud Mountain Earth Brown	
	7.02	7630509062	Plate for front bumper Tuscan Red
7630521040		Plate for front bumper Champagne	
7530543122		Plate for front bumper Lightning Blue	
7630524006		Plate for front bumper Midnight Black	
7630598051		Plate for front bumper Macadamia Brown	
7630550141		Plate for front bumper Emerald Green	
30543237		Plate for front bumper Tour-de-France Blue	
30529069		Plate for front bumper Royal Palladium Gold	

CE-D09 Spare parts list

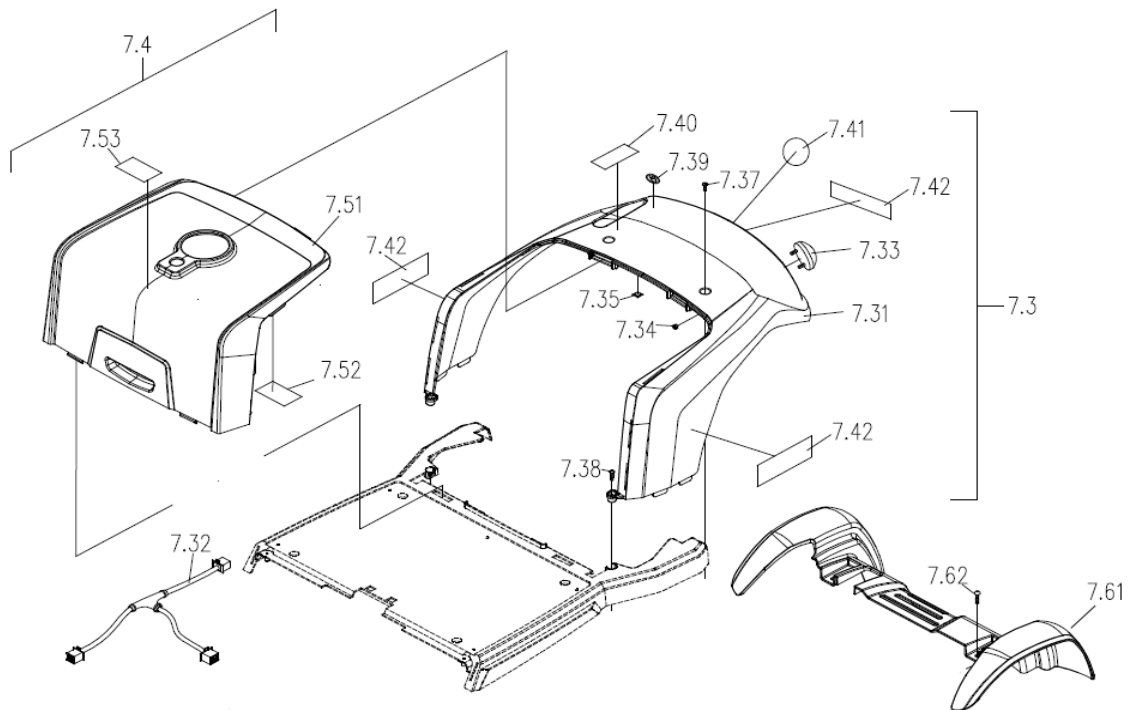


Identification number: TCF-VOMNL - 0973-14B
 Product group: Mobility Scooter
 Productname: Galaxy II 4-wheel / S846GBXXVA52
 Batchnumber: -

Tiller (1)

Drawing No.	Item No.	Description	Purchase Price
	30598115	Plate for front bumper Mountain Earth Brown	
7.03	39741000	Front shroud cover, Gray Black	
7.04 to 7.08	-	Not available as spare part	
7.2	39732000	Footplate Grey	
7.12 + 7.13	39900240	Reflector sticker set White Left/Right	
7.21	39744000	Rubber mat, Black	
7.22 to 7.24	-	Not available as spare part	
7.25	7543690241	Front fender Left	
7.26	7543690242	Front fender Right	

Basket & accessoires



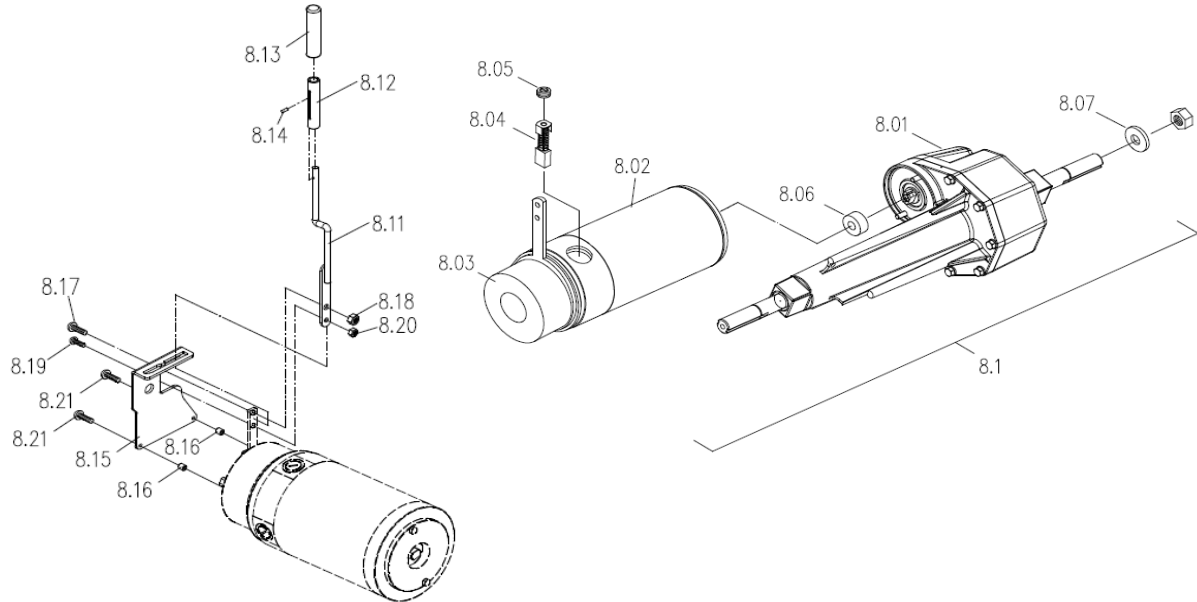
Drawing No.	Item No.	Description	Purchase Price
7.3	30509058	Rear shroud assembly Tuscan Red	
	30521079	Rear shroud assembly Champagne	
	39743124	Rear shroud assembly Lightning Blue	
	39742095	Rear shroud assembly Midnight Black	
	39748048	Rear shroud assembly Macadamia Brown	
	30550204	Rear shroud assembly Emerald Green	
	30543238	Rear shroud assembly Tour-de-france Blue	
	30529070	Rear shroud assembly Royal Palladium Gold	
	30598110	Rear shroud assembly Mountain Earth Brown	
7.31	-	Not available as spare part	
7.32	79732500	Taillight cable	
7.33	7561200199	Taillight	
7.34 to 7.38	-	Not available as spare part	
7.39 to 7.42 & 7.52 to 7.53	99735100	Stickerset for Rear shroud Galaxy II	
7.4	7543690208	Battery cover	
7.51	-	Not available as spare part	
7.61	7543690209	Fender cover	
7.62	-	Not available as spare part	

CE-D09 Spare parts list



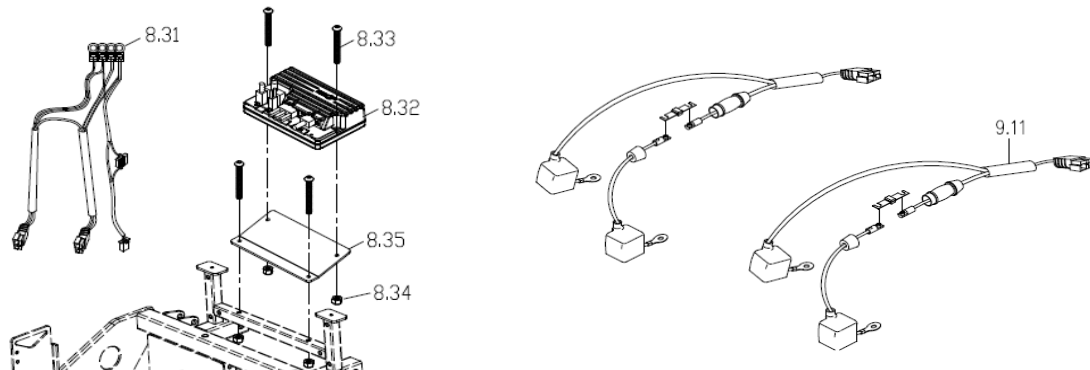
Identification number: TCF-VOMNL - 0973-14B
 Product group: Mobility Scooter
 Productname: Galaxy II 4-wheel / S846GBXXVA52
 Batchnumber: -

Basket & accessoires



Drawing No.	Item No.	Description	Purchase Price
8.1	99731976	Transaxle, motor and motor brake assembly M417QY-25/Rhino 2	
	99701975	Transaxle, motor and motor brake assembly M4QT/Rhino 2	
8.01	97041980	Transaxle	
8.02	99731994	Motor incl. motor brake M4QY/Rhino 2	
	99731993	Motor incl. motor brake M4QT/Rhino 2	
8.03	99731996	Magnetic brake for motor M8HC-26	
	99731995	Magnetic brake for motor M4QT	
8.04 & 8.05	99702010	Carbon brush incl. covers, set of 4	
8.06	93132030	Clutch between motor and transaxle	
8.07	-	Not available as spare part	
8.11 to 8.21	97300735	Freewheel lever complete	
8.13	7543690220	Rubber tip for release lever	
-	99741860	Mounting set for mounting wheel on transaxle	

Basket & accessoires



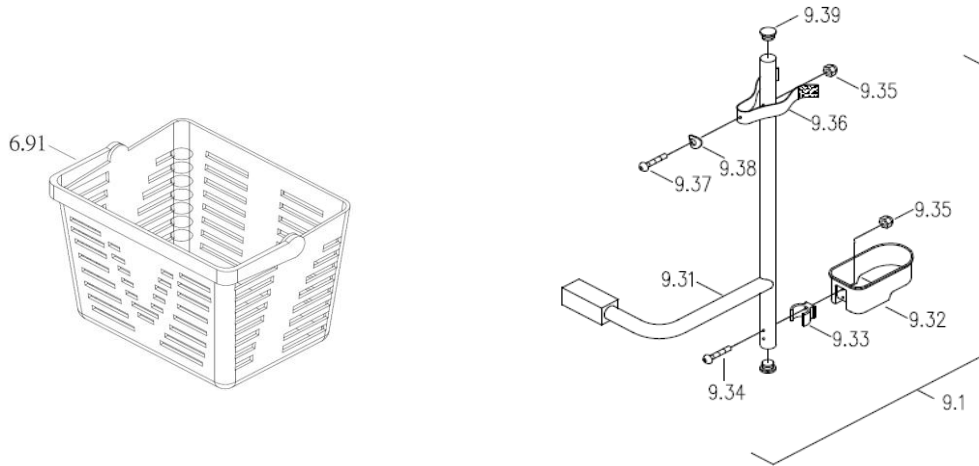
Drawing No.	Item No.	Description	Purchase Price
8.31	99701905	Power harness between battery and controlbox (Rhino 2)	
8.32	DS160	DS160 Controller (Rhino2)	
8.33 to 8.35	-	Not available as spare part	
9.11	93132051	Battery conection cable (2nd generation)	

CE-D09 Spare parts list



Identification number: TCF-VOMNL - 0973-14B
 Product group: Mobility Scooter
 Productname: Galaxy II 4-wheel / S846GBXXVA52
 Batchnumber: -

Basket & accessoires



Drawing No.	Item No.	Description	Purchase Price
9.1	90100030	Crutch holder de-luxe	
9.31 to 9.39	-	Not available as spare part	
6.91	92601330	Basket front wire mesh	
	7543780088	Basket Plastic	
-	92330010	Odometer (for model without LCD)	
-	92330020	Diagnosis, failure analysis and readout software	
-	DWD-OEM-U	USB-dongel	
-	93810612	Battery 50Ah/12V, closed, maintenance free, AGM	
-	93810620	Battery 73Ah/12V, closed, maintenance free, AGM	
-	93810358	Battery charger 24V/8Ah	
-	97101400	Insurance plate holder	