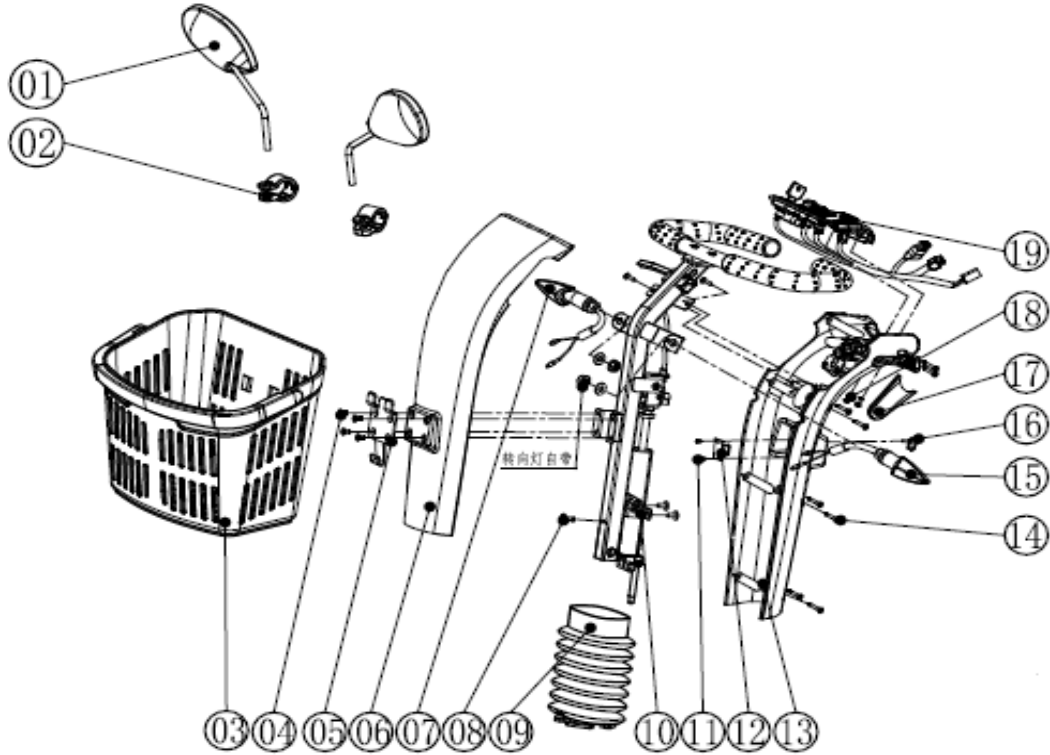


CE-D09 Spare parts list



Identification number: TCF-VOMNL -0380-19A
 Product group: Mobility Scooter
 Productname: Senzo 4-wheel
 Batchnumber:

Tiller



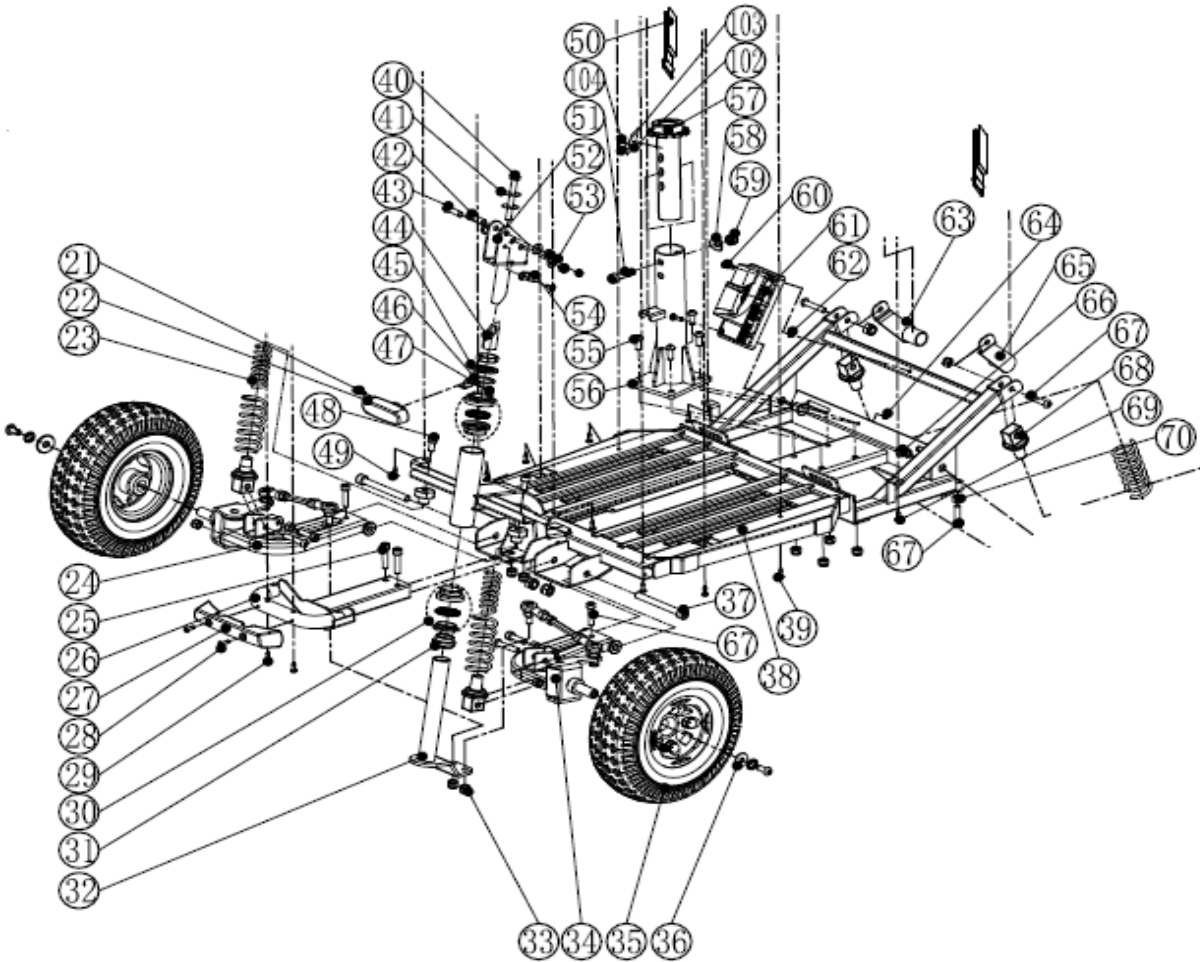
Drawing No.	Item No.	Description	Purchase Price
1	06030100	Rear mirror set, Left & Right	
2	SE07E505AK0	Mounting brackets for mirror	
3	SE08E508AK0	Foldable basket	
4	-	Not available as spare part	
5	SB03P119HGO	Mounting bracket for front basket	
6	SF04P505A06	Tiller front cover Champagne	
	SF04P505A15	Tiller front cover Burgundy Red	
	SF04P505A16	Tiller front cover Old Blue	
	SF04P505A03	Tiller front cover New Blue	
7	305300003Y	Turning light Right	
8	-	Not available as spare part	
9	SE06P512E3A	Rubber cover tiller	
10 & 11	-	Not available as spare part	
12	SK05F620AK4	USB port	
13-1	SE06A502C3A	Tiller rear cover	
13-2	SE06F601AK0	Horn assembly	
13-3	SE06F602AK0	Charging port	
13-4	SE06F603AK0	Speed controll with potentiometer	
14	-	Not available as spare part	
15	305300004Y	Turning light Left	
16 to 18	-	Not available as spare part	
19	SE08F602AK0	Dashboard assembly	
19-1	SE06F606AK0	Key switch	
19-2	SE06F605AK0	Battery meter	
19-3	SE06P511AN1	Speed knob	
19-4	3050105430	Speed potentiometer	
19-5	305310031B	Turning light switch	
19-6	SJ04H601AN9	Dashboard PCB	

CE-D09 Spare parts list



Identification number: TCF-VOMNL -0380-19A
 Product group: Mobility Scooter
 Productname: Senzo 4-wheel
 Batchnumber:

Front



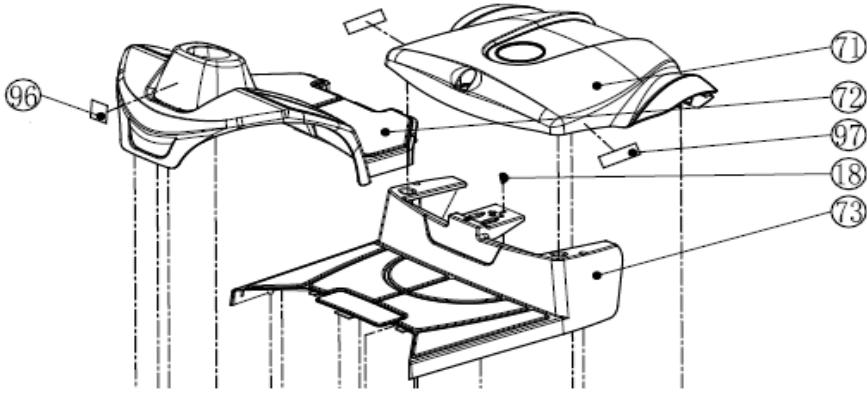
Drawing No.	Item No.	Description	Purchase Price
21	-	Not available as spare part	
22	SG06F619AK0	Headlight	
23	SJ07P145B1G	Front spring (inside)	
24 to 26	-	Not available as spare part	
27	SF01P503A3A	Front bumper cover	
28	-	Not available as spare part	
29	-	Not available as spare part	
30 to 31	3090432080	Bearing set	
32	SL01A214AG0	Bearing house	
33 to 34	-	Not available as spare part	
35	SK05E202AK0	Front wheel Air 10"	
35-1	SK09P214AB4	Outer tire for 10"	
35-2	SK09P213AB4	Inner tube for 10"	
36 to 56	-	Not available as spare part	
57	SE01E402EK0	Seat post	
58 to 60	-	Not available as spare part	
61	3051600100	Controller (Dynamic R-90A)	
62 to 70; 102 to 104	-	Not available as spare part	

CE-D09 Spare parts list



Identification number: TCF-VOMNL -0380-19A
 Product group: Mobility Scooter
 Productname: Senzo 4-wheel
 Batchnumber:

Shrouds



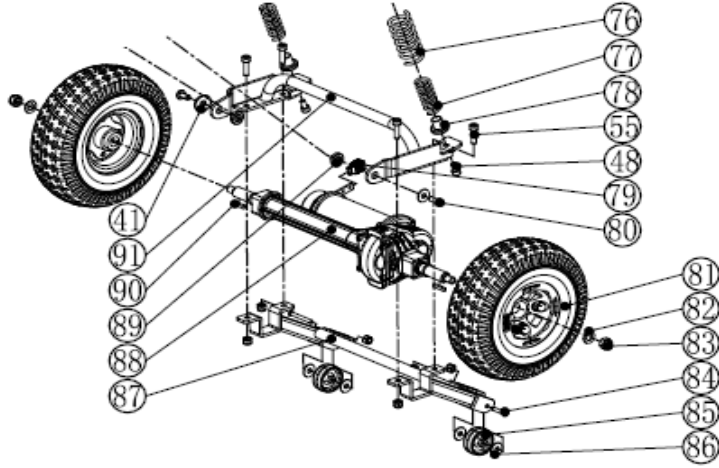
Drawing No.	Item No.	Description	Purchase Price
71-1	SG06P505B06	Battery top cover Champagne	
	SG06P505B15	Battery top cover Burgundy Red	
	SG06P505B16	Battery top cover Old Blue	
	SG06P505B03	Battery top cover New Blue	
71-2 + 71-3	SG06P820A2J	Rear reflector set (Left/Right)	
71-4	SL01F615AK0	Taillight assembly with turning light	
72-1	SG06P522A06	Front shroud cover Champagne	
	SG06P522A15	Front shroud cover Burgundy Red	
	SG06P522A16	Front shroud cover Old Blue	
	SG06P522A03	Front shroud cover New Blue	
72-2	SG06P503B3A	Front shroud Black	
73-1	SG06P525A3A	Footplate Black	
73-2	SG06F613AK0	Circuit breaker with wire	
	WS11E003AK1	Comfort seat with adjustable back and lumbar support	

CE-D09 Spare parts list



Identification number: TCF-VOMNL -0380-19A
 Product group: Mobility Scooter
 Productname: Senzo 4-wheel
 Batchnumber:

Back



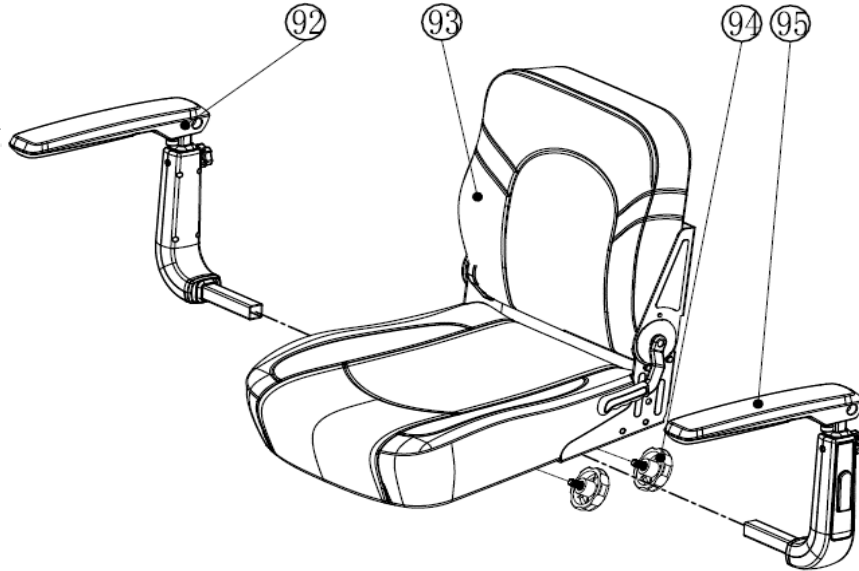
Drawing No.	Item No.	Description	Purchase Price
76	SJ07P144B1G	Front and rear spring (Outside)	
77	SG06P145A1G	Rear spring (Inside)	
79	WE03P510B4B	Brake handle cover (Yellow)	
81	SK05E203AK0	Rear wheel Air,10"	
81-1	SK09P214AB4	Outer tire for 10"	
81-2	SK09P213AB4	Inner tube for 10"	
85	SE06P561A3A	Anti-tip wheel(2")	
88	RA05E103AK1	Transaxle assembly with motor and brake	
88-1	RA05A102BK0	Transaxle only (19.75:1)	
88-2	RA05A314A00	Motor only (CR-5290D24-A:600W)	
88-3	RA05A304CK0	Brake only (6NM)	

CE-D09 Spare parts list



Identification number: TCF-VOMNL -0380-19A
 Product group: Mobility Scooter
 Productname: Senzo 4-wheel
 Batchnumber:

Seat



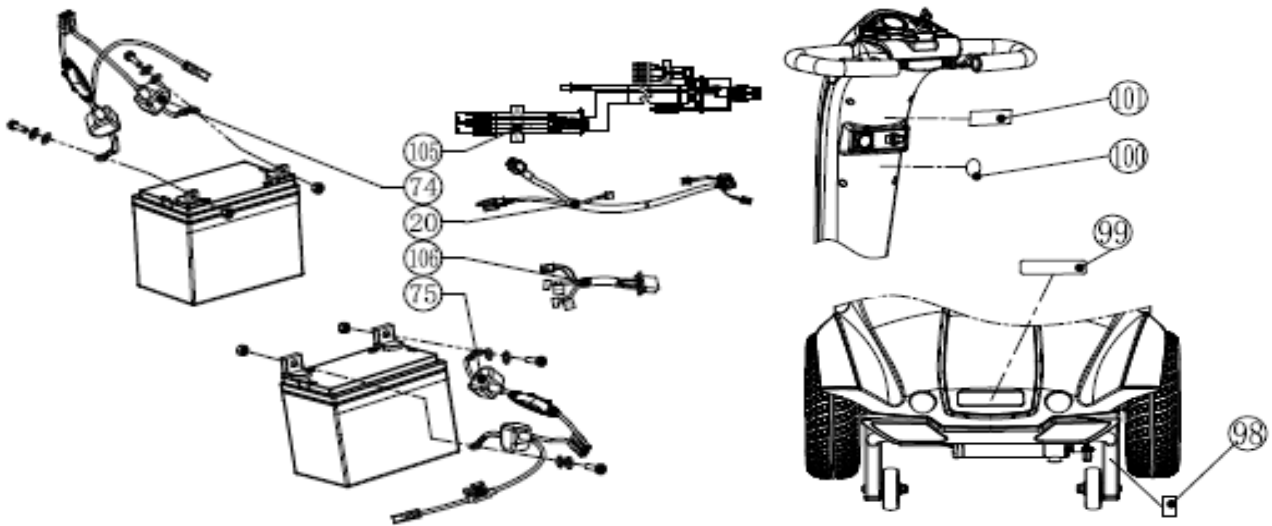
Drawing No.	Item No.	Description	Purchase Price
92	SE06E413DK0	Arm assembly(R)	
93	WS11E003AK1-01	Seat assembly with swivel plate	
93-1	WS11E105AK1	Seat assembly only	
93-1-1	WS34E201EK0	Hinge(L),angle-adjustable with handle	
93-1-2	WS33E202FK0	Hinge(R)	
93-2	SE01E403KK0	Seat swivel plate assembly	
94	N/A	Not available as spare part	
95	SE06E414DK0	Arm assembly(L)	
95-1	WG01A418BA1	Arm pad(L/R)	

CE-D09 Spare parts list



Identification number: TCF-VOMNL -0380-19A
 Product group: Mobility Scooter
 Productname: Senzo 4-wheel
 Batchnumber:

Accessoires



Drawing No.	Item No.	Description	Purchase Price
20	SK05F617AK0	Main harness assembly	
74	SE06F617AK0	Battery cable I	
75	SE06F618AK0	Battery cable II	
105	SG06F617AK0	Harness assembly for turning lights	
106	SL01F613AK0	Motor adapter wire assembly	
	93810600	Battery 34Ah/12V, closed, maintenance free, AGM	
	93810355	Battery charger 24V/5Ah	
	90100030	Crutch holder de-luxe	