

CE-D09 Spare parts list



Identification number: TCF-VOMNL - 6030-19A
Product group: Mobility Scooter
Productname: Xena 3-wheel
Batchnumber:

Complete

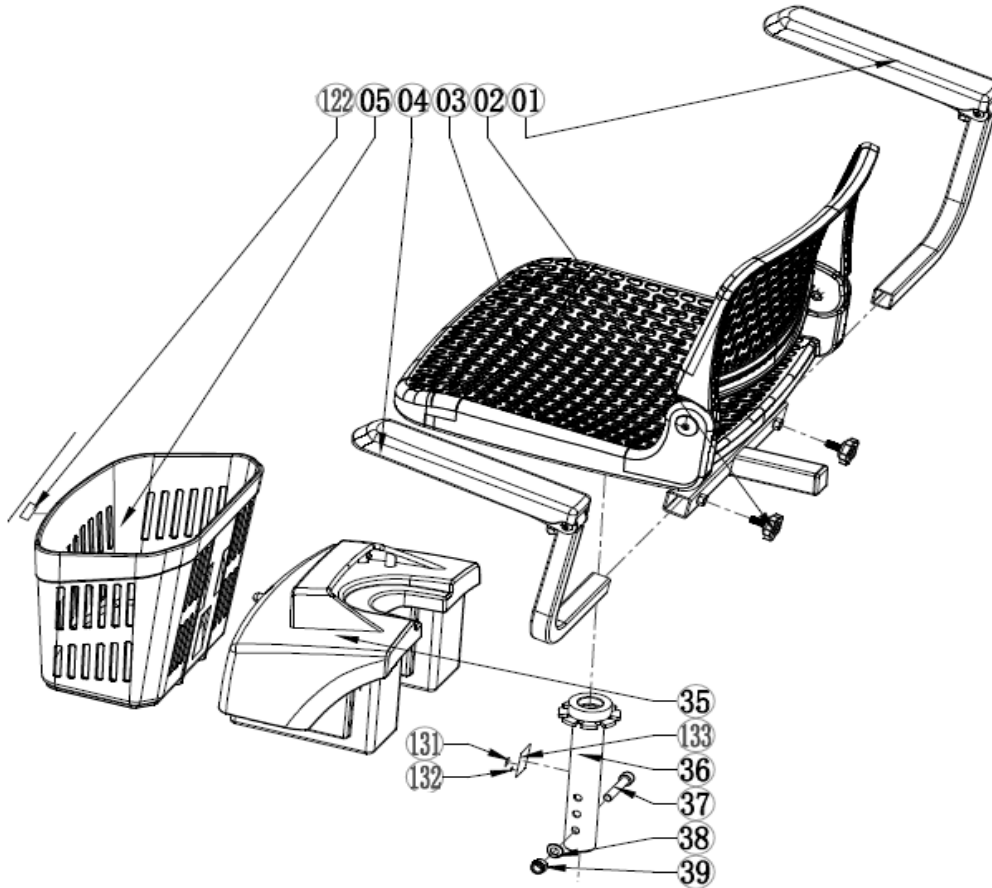


CE-D09 Spare parts list



Identification number: TCF-VOMNL - 6030-19A
 Product group: Mobility Scooter
 Productname: Xena 3-wheel
 Batchnumber:

Seat & basket



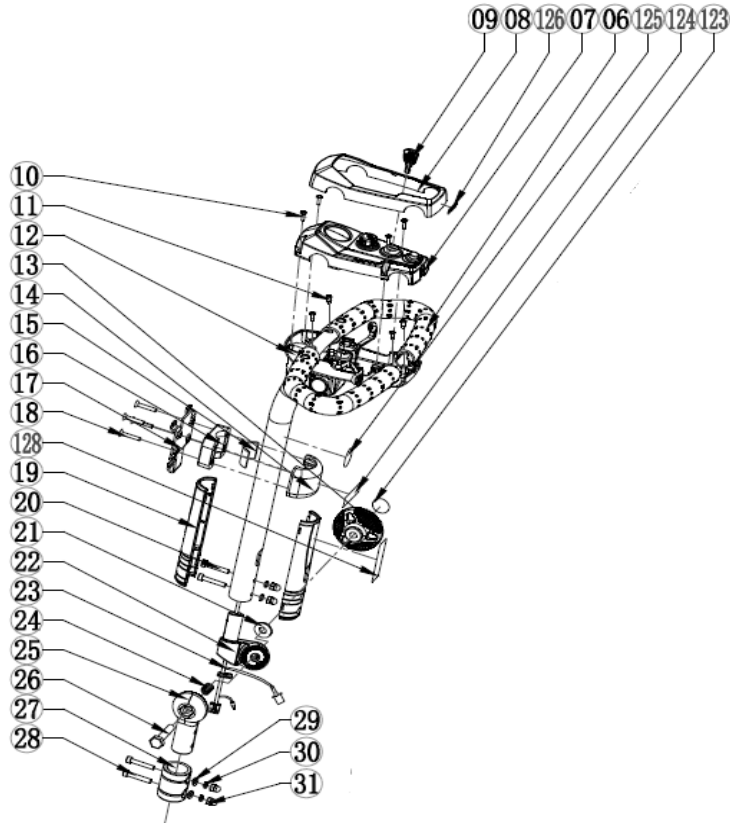
Drawing No.	Item No.	Description	Purchase Price
1	SD09E402GK0	Arm assembly Right	
2	WE03A502A3A	Knob M8*15	
3	WS70E003BK1	Fish on seat with swivel plate	
3-1	WS70E104AK1	Seat only	
3-2	SE01E403KK0	Seat swivel plate	
4	SD09E403GK0	Arm assembly Left	
4-1	VS0843-0300	Armpad Left/Right	
5 + 122	SG04P504A3A	Basket	
35	SF01E611AK0	Battery box (excl. 12V/18AH Battery) Champagne	
35	SF01E611AK1	Battery box (excl. 12V/18AH Battery) Red	
35	SF01E611AK2	Battery box (excl. 12V/18AH Battery) Dark Blue	
35	SF01E611AK3	Battery box (excl. 12V/18AH Battery) Light Blue	
35-1	SE09A505B3A	Battery box handle	
35-2	SF01F605AK0	Battery box connector assembly	
35-3	SE09F605AK0	Charging port for battery box	
35-4	SF01F604AK0	Circuit breaker with wire and connectors	
36	SE09E401EK0	Seat post assembly	
37 to 39 & 131 to 133	-	Not available as spare part	

CE-D09 Spare parts list



Identification number: TCF-VOMNL - 6030-19A
 Product group: Mobility Scooter
 Productname: Xena 3-wheel
 Batchnumber:

Rear wheel & seat



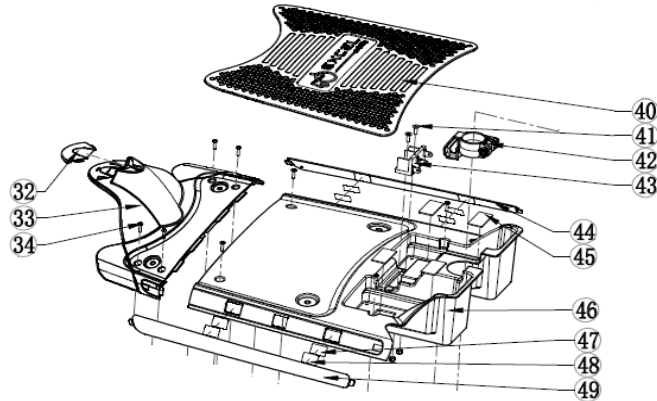
Drawing No.	Item No.	Description	Purchase Price
6	SE05A205D3A	Tiller handle (Delta)	
7	SL03F601AK0	Dashboard assembly	
7-1	305310023R	Button for claxon (Red)	
	SD09P517	Protection cap for claxon	
7-2	SE06F605AK0	Battery meter	
7-3	SE06P511AN1	Button for speed	
7-4	3050105030	Speed potentiometer	
7-5	SE06F606AK0	Key switch	
8	SE05P508B06	Dashboard cover Champagne	
	SE05P508B15	Dashboard cover Red	
	SE05P508B16	Dashboard cover Dark Blue	
	SE05P508B03	Dashboard cover Light Blue	
9	SE06A510A3E	Key set (Pair)	
10 to 11	-	Not available as spare part	
12	SL03F604AK0	Dashboard lower cover assembly with speed controll paddle	
12-1	SE05F603AK0	Speed controll paddle with potentiometer	
12-2	SE05F612AK0	Charging port on tiller	
12-3	SG06F612AK0	Headlight switch	
13	SB03A501A3A	Tiller knob for angle adjustment	
14 to 16	-	Not available as spare part	
17	SB03P119HG0	Mounting bracket for front basket	
18 to 21	-	Not available as spare part	
22	SA02P215AG0	Under side of the turn mechanism for tiller adjustment	
23	SE09F612AK0	Main harness assembly	
24	-	Not available as spare part	
25	SA02P002AH0	Upside of the turn mechanism for tiller adjustment	
26 to 31	-	Not available as spare part	

CE-D09 Spare parts list



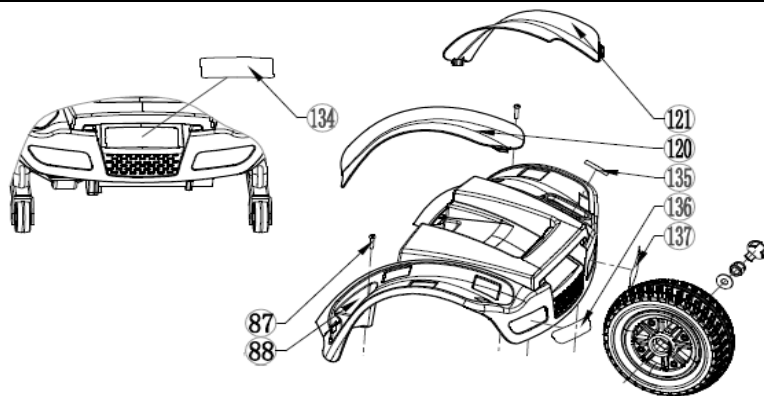
Identification number: TCF-VOMNL - 6030-19A
 Product group: Mobility Scooter
 Productname: Xena 3-wheel
 Batchnumber:

Rear wheel & seat



Drawing No.	Item No.	Description	Purchase Price
32	SE09P501A06	front bumper cover Champagne	
	SE09P501A15	front bumper cover Red	
	SE09P501A16	front bumper cover Dark Blue	
	SE09P501A03	front bumper cover Light Blue	
33	SE09P507A3A	Front plate Black	
34	-	Not available as spare part	
40	SE09P568A8A	Floor mat	
42	SD09E509AK0	Battery box fastener	
43	SF01F608AK0	Battery box connector (Male)	
44 & 49	SE09P514A06	Side strips plastic Champagne Left/Right	
	SE09P514A15	Side strips plastic Red Left/Right	
	SE09P514A16	Side strips plastic Dark Blue Left/Right	
	SE09P514A03	Side strips plastic Light Blue Left/Right	
46	SE09P502A3A	Center shroud	

Front fork + legrest



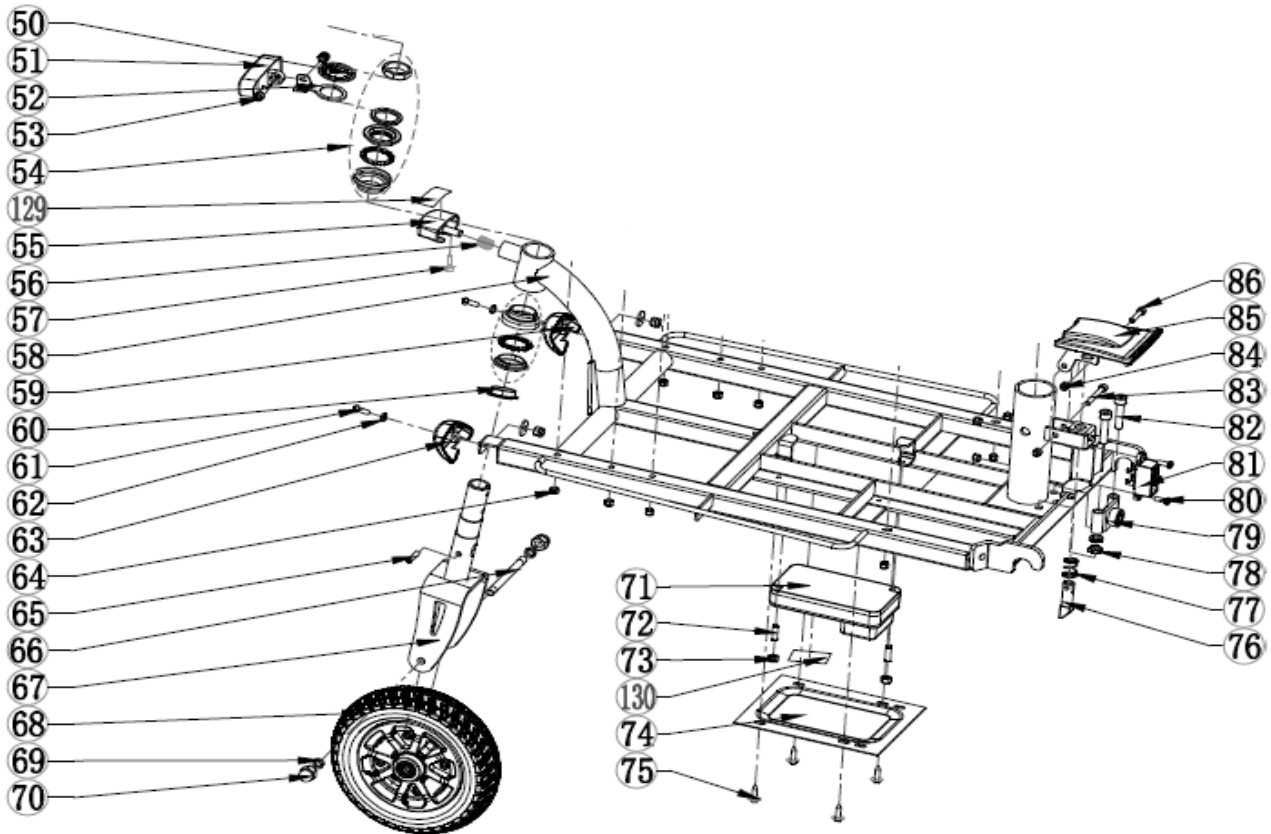
Drawing No.	Item No.	Description	Purchase Price
87	-	Not available as spare part	
88	SE09E502GK0	Rear cover with handle	
120	SE09P511A06	Fender cover Left Champagne	
	SE09P511A15	Fender cover Left Red	
	SE09P511A16	Fender cover Left Dark Blue	
	SE09P511A03	Fender cover Left Light Blue	
121	SE09P510A06	Fender cover Right Champagne	
	SE09P510A15	Fender cover Right Red	
	SE09P510A16	Fender cover Right Dark Blue	
	SE09P510A03	Fender cover Right Light Blue	
136 & 137	SE09P806A2J	Rear reflector sticker Red for Left/Right	

CE-D09 Spare parts list



Identification number: TCF-VOMNL - 6030-19A
 Product group: Mobility Scooter
 Productname: Xena 3-wheel
 Batchnumber:

Front fork + legrest



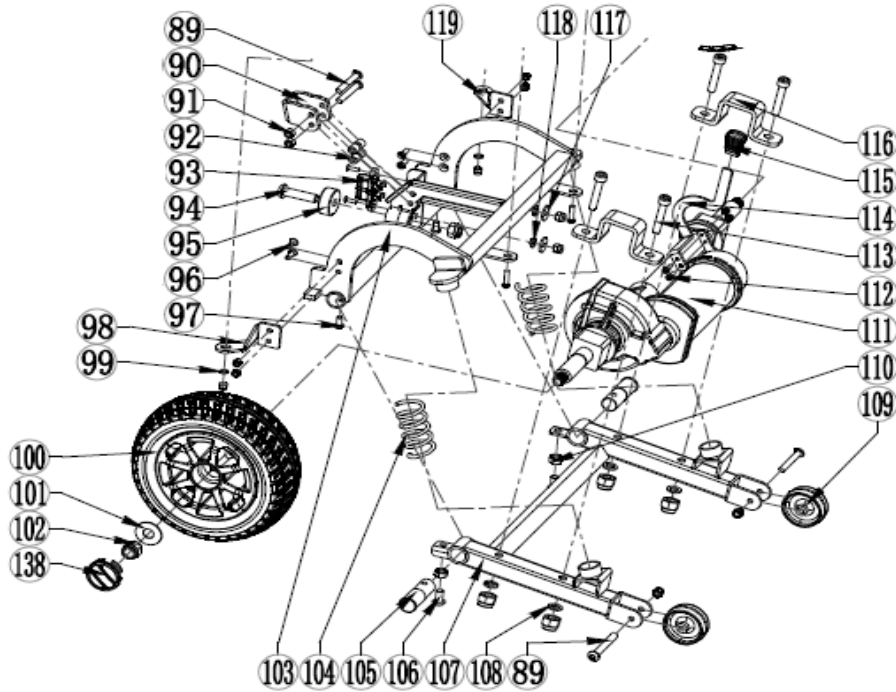
Drawing No.	Item No.	Description	Purchase Price
50	-	Not available as spare part	
51	SE05F602AK0	Headlight	
52	SE05P163BG0	Bracket for headlight	
53	-	Not available as spare part	
54	3090432090	Bearing house	
55	SB02A201A3A	Knob for front wheel fixation	
56 to 66	-	Not available as spare part	
67	SB03A201E1C	Front fork	
68	307010802B	Front wheel 8" Air, untill batch 4267	
	SB05E208AK0	Front wheel 8" Air	
68-1	SK07P211AB4	Outer tyre for 8"(8*2.00)	
68-2	SK07P212AB4	Inner tube for 8"(8*2.00)	
69 to 70	-	Not available as spare part	
71	3051600010	Controller (PG S-45A)	
72 to 73	-	Not available as spare part	
74	SE09P145DG0	Controller cover plate	
75 to 80	-	Not available as spare part	
81	SE09F607AK0	Wire connector front frame	
82 to 84	-	Not available as spare part	
85	SE09E104BK0	lever for connection front/rear frame	

CE-D09 Spare parts list



Identification number: TCF-VOMNL - 6030-19A
 Product group: Mobility Scooter
 Productname: Xena 3-wheel
 Batchnumber:

Front fork + legrest



Drawing No.	Item No.	Description	Purchase Price
80; 90 to 92	-	Not available as spare part	
93	SE09F606AK0	Drivetrain connector (Male)	
94 to 99	-	Not available as spare part	
100	307010801B	Rear wheel 8" Air, untill batch 4267	
	SB05E207AK0	Rear wheel 8" Air	
100-1	SK07P211AB4	Outer tyre for 8"(8*2.00)	
100-2	SK07P212AB4	Inner tube for 8"(8*2.00)	
101 to 103	-	Not available as spare part	
104	SK03P204A1G	Rear spring (set of 2)	
105 to 108	-	Not available as spare part	
109	SE06P561A3A	Anti-tip wheels (set)	
111	RA02E102AK0	Transaxle with motor & brake	
111-1	RA02A101AK0	Transaxle	
111-2	RA02A303A00	Motor (ZE-4467D24-B:270W)	
111-3	RA02A302CK0	Brake (24V 3NM)	
114	SF01P127AG0	Brake extension handle	
115	WE03P510B4B	Cover for brake extension handle (Yellow)	
138	SF06P304A19	Center hub cover, Silver	