

## CE-D09 Spare parts list



Identification number: TCF-VOMNL - 6030-19B  
Product group: Mobility Scooter  
Productname: Xena 4-wheel  
Batchnumber:

**Complete**

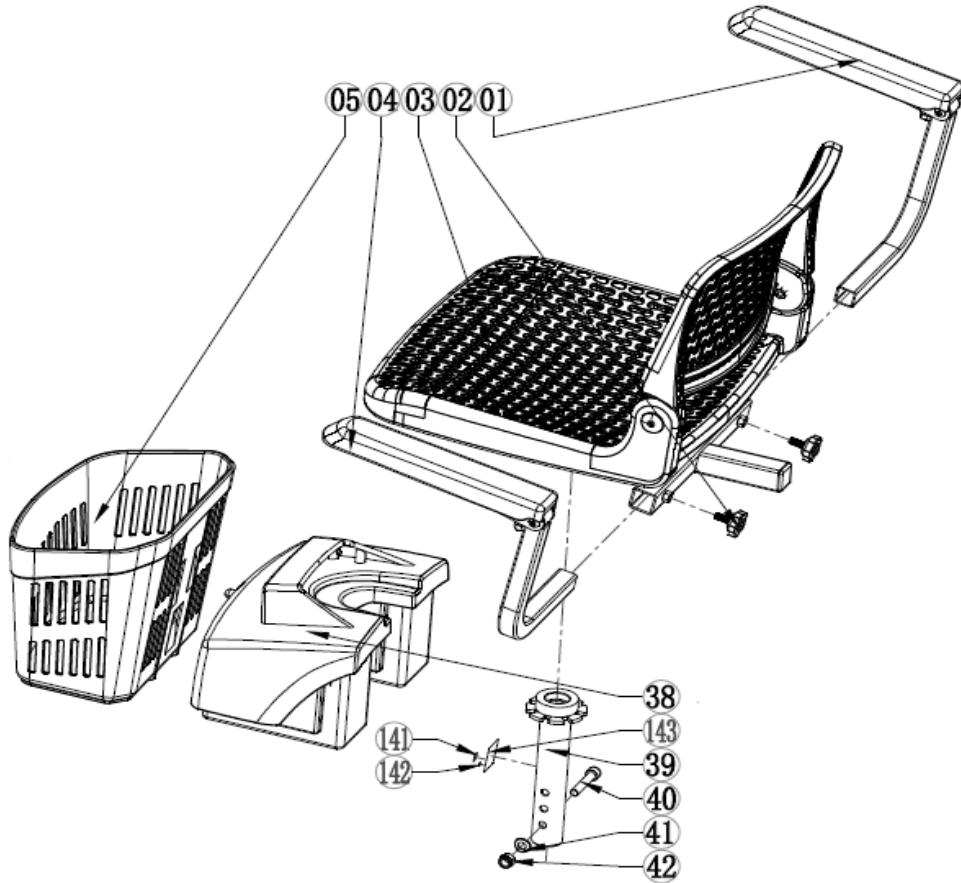


## CE-D09 Spare parts list



Identification number: TCF-VOMNL - 6030-19B  
 Product group: Mobility Scooter  
 Productname: Xena 4-wheel  
 Batchnumber:

### Seat & basket



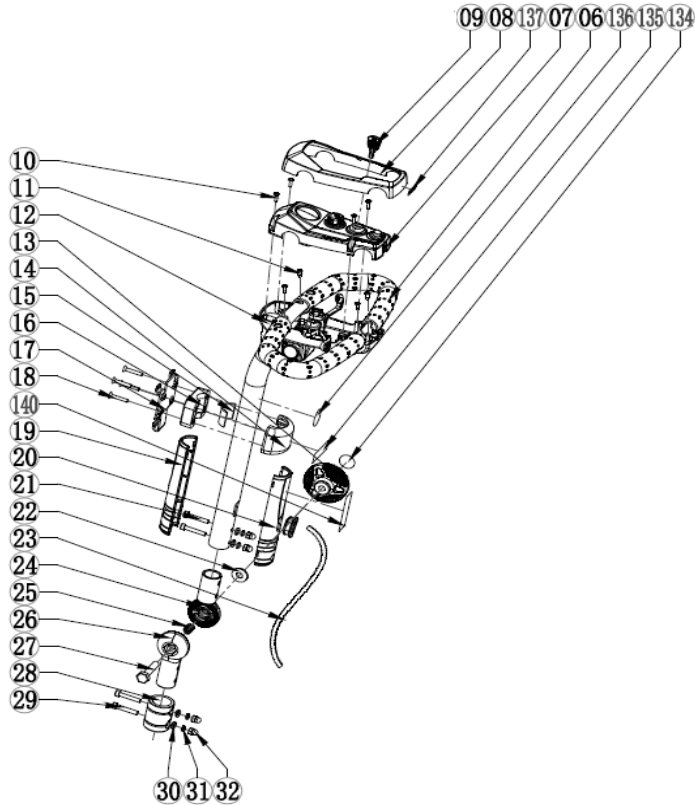
Drawing No.	Item No.	Description	Purchase Price
1	SD09E402GK0	Arm assembly Right	
2	WE03A502A3A	Knob M8*15	
3	WS70E003BK1	Fish on seat with swivel plate	
3-1	WS70E104AK1	Seat only	
3-2	SE01E403KK0	Seat swivel plate	
4	SD09E403GK0	Arm assembly Left	
4-1	VS0843-0300	Armpad Left/Right	
5	SG04P504A3A	Basket	
38	SF01E611AK0	Battery box (excl. 12V/18AH Battery) Champagne	
	SF01E611AK1	Battery box (excl. 12V/18AH Battery) Red	
	SF01E611AK2	Battery box (excl. 12V/18AH Battery) Dark Blue	
	SF01E611AK3	Battery box (excl. 12V/18AH Battery) Light Blue	
38-1	SE09A505B3A	Battery box handle	
38-2	SF01F605AK0	Battery box connector assembly	
38-3	SE09F605AK0	Charging port for battery box	
38-4	SF01F604AK0	Circuit breaker with wire and connectors	
39	SE09E401EK0	Seat post assembly	
40 to 42; 141 & 142	-	Not available as spare part	

## CE-D09 Spare parts list



Identification number: TCF-VOMNL - 6030-19B  
 Product group: Mobility Scooter  
 Productname: Xena 4-wheel  
 Batchnumber:

### Tiller



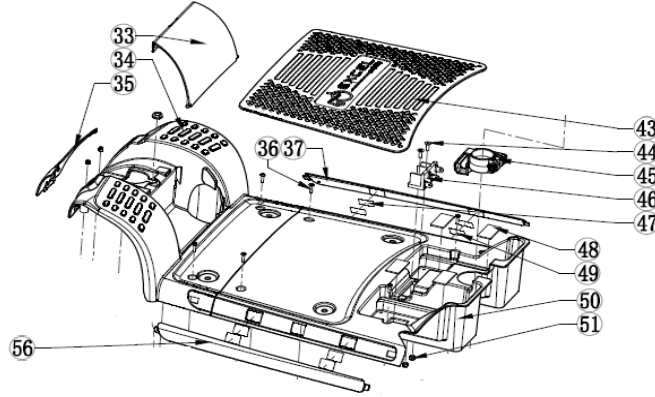
Drawing No.	Item No.	Description	Purchase Price
6	SE05A205D3A	Tiller handle (Delta)	
7	SL03F601AK0	Dashboard assembly	
7-1	305310023R	Button for claxon (Red)	
7-2	SD09P517	Protection cap for the claxon	
7-3	SE06F605AK0	Battery meter	
7-4	SE06P511AN1	Button for speed	
7-5	3050105030	Speed potentiometer	
7-6	SE06F606AK0	Key switch	
8	SE05P508B06	Dashboard cover Champagne	
	SE05P508B15	Dashboard cover Red	
	SE05P508B16	Dashboard cover Dark Blue	
	SE05P508B03	Dashboard cover Light Blue	
9	SE06A510A3E	Key set (Pair)	
11	-	Not available as spare part	
12	SL03F604AK0	Dashboard lower cover assembly with speed controll paddle	
12-1	SE05F603AK0	Speed controll paddle with potentiometer	
12-2	SE05F612AK0	Charging port on tiller	
12-3	SG06F612AK0	Headlight switch	
13	SB03A501A3A	Tiller knob for angle adjustment	
14 to 16	-	Not available as spare part	
17	SB03P119HG0	Mounting bracket for front basket	
18 to 22	-	Not available as spare part	
23	SD09F601AK0	Main harness assembly	
24	SG08P201BH0	Under side of the turn mechanism for tiller adjustment	
25	-	Not available as spare part	
26	SG08P202AH0	Upside of the turn mechanism for tiller adjustment	
27 to 32; 134 to 137	-	Not available as spare part	

## CE-D09 Spare parts list



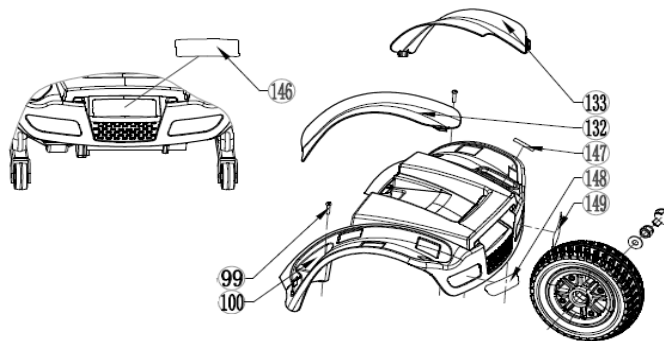
Identification number: TCF-VOMNL - 6030-19B  
 Product group: Mobility Scooter  
 Productname: Xena 4-wheel  
 Batchnumber:

### Front frame assembly



Drawing No.	Item No.	Description	Purchase Price
33	SF01P505A3A	Front cabinet cover	
34	SF01P501B3A	Front cover Black	
35	SF01P502A06	Front cover Champagne	
	SF01P502A15	Front cover Red	
	SF01P502A16	Front cover Dark Blue	
	SF01P502A03	Front cover Light Blue	
36	-	Not available as spare part	
37 & 56	SE09P514A06	Side strips plastic Champagne Left/Right	
	SE09P514A15	Side strips plastic Red Left/Right	
	SE09P514A16	Side strips plastic Dark Blue Left/Right	
	SE09P514A03	Side strips plastic Light Blue Left/Right	
43	SF01P565A3A	Floor mat	
44	-	Not available as spare part	
45	SD09E509AK0	Battery box fastener	
46	SF01F608AK0	Battery box connector (Male)	
47 to 49	-	Not available as spare part	
50	SE09P502A3A	Center shroud	

### Rear frame assembly



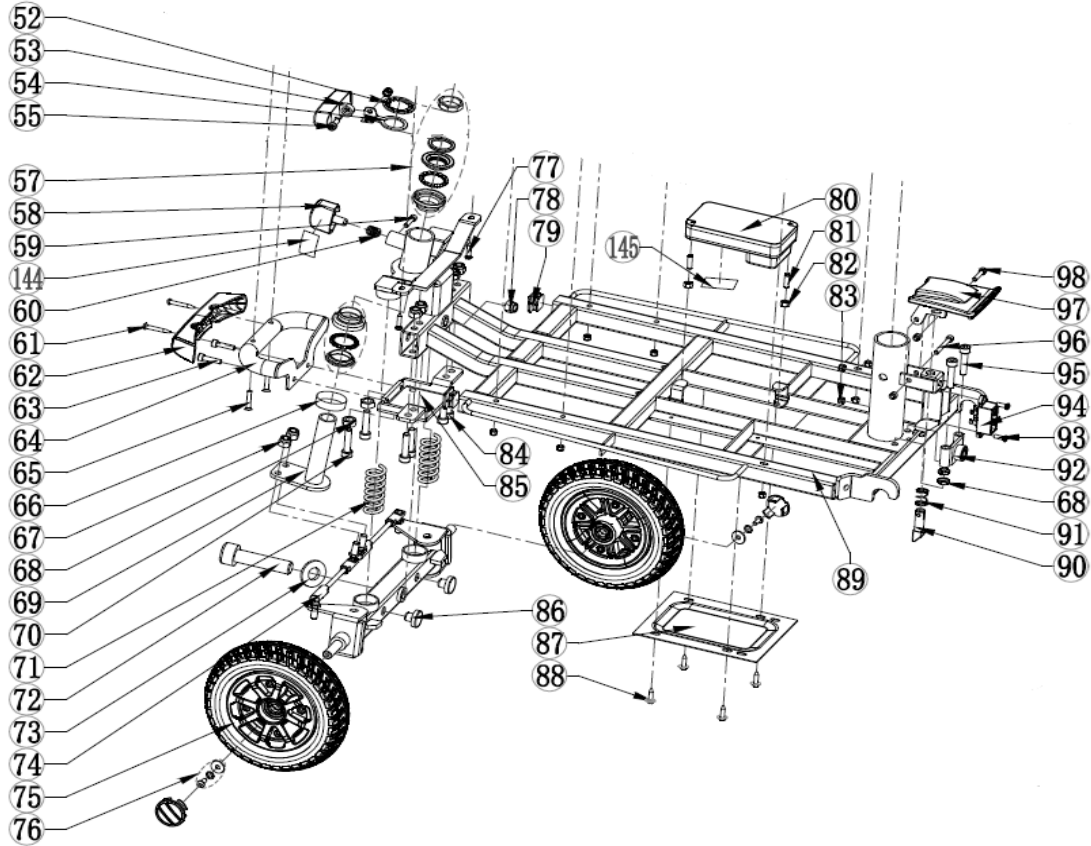
Drawing No.	Item No.	Description	Purchase Price
100	SE09E502GK0	Rear cover with handle	
132	SE09P510A06	Fender cover Right Champagne	
	SE09P510A15	Fender cover Right Red	
	SE09P510A16	Fender cover Right Dark Blue	
	SE09P510A03	Fender cover Right Light Blue	
133	SE09P511A06	Fender cover Left Champagne	
	SE09P511A15	Fender cover Left Red	
	SE09P511A16	Fender cover Left Dark Blue	
	SE09P511A03	Fender cover Left Light Blue	
147	-	Not available spare part	
148 & 149	SE09P806A2J	Rear reflector sticker Red for Left/Right	

## CE-D09 Spare parts list



Identification number: TCF-VOMNL - 6030-19B  
 Product group: Mobility Scooter  
 Productname: Xena 4-wheel  
 Batchnumber:

### Frame assembly



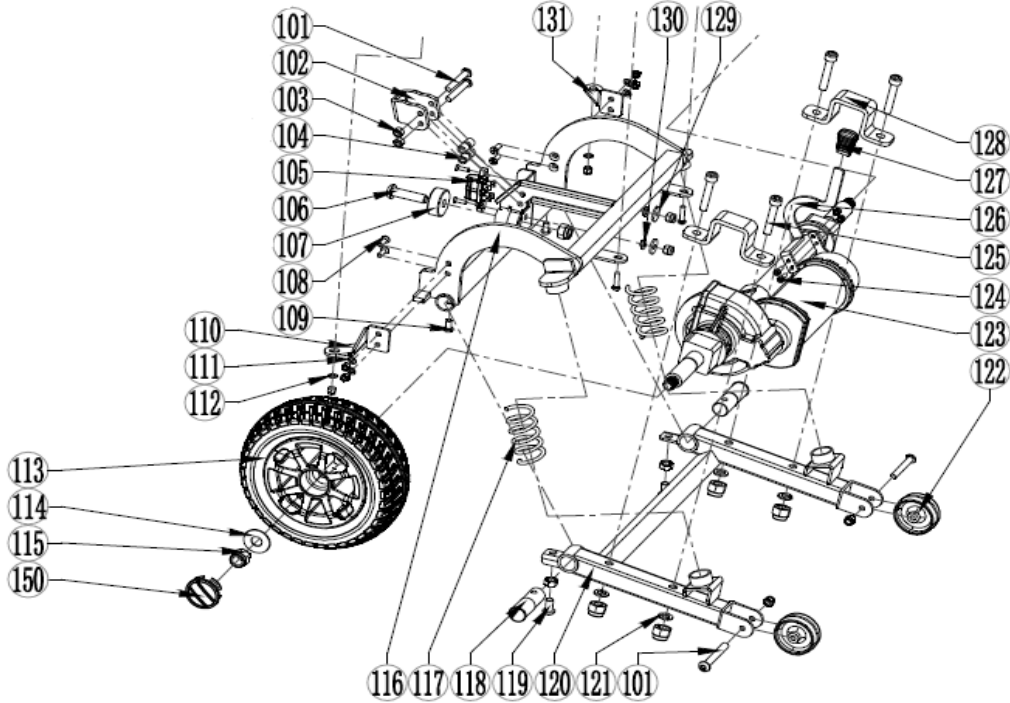
Drawing No.	Item No.	Description	Purchase Price
52	-	Not available as spare part	
53	SE05F602AK0	Headlight	
54	SE05P163BG0	Bracket for headlight	
57	3090432090	Bearing house	
58	SB02A201A3A	Knob for front wheel fixation	
60 to 61	-	Not available as spare part	
62	SF01P503A3A	Front bumper cover	
63 to 68	-	Not available as spare part	
69	SD01A204EG0	Steering axle	
71	WG02P144A1G	Front spring	
72 & 73	-	Not available as spare part	
74	SF01E211AK0	Front arm assembly	
74-1	SF01E205AK0	Tie rod Left/Right	
74-2	SF01A203BG0	Steering arm Left	
74-3	SF01A202BG0	Steering arm Right	
75	307010803B	Front wheel 8" Air	
	SF01E217AK0	Front wheel 8" Air from batch 5484	
75-1	SK07P211AB4	Outer tyre for 8"(8*2.00)	
75-2	SK07P212AB4	Inner tube for 8"(8*2.00)	
76	-	Not available as spare part	
80	3051600010	Controller (PG S-45A)	
81 to 86	-	Not available as spare part	
87	SE09P145DG0	Controller cover plate	
88 to 93	-	Not available as spare part	
94	SE09F607AK0	Wire connector front frame	
95	-	Not available as spare part	
97	SD09E107AK0	lever for connection front/rear frame	

## CE-D09 Spare parts list



Identification number: TCF-VOMNL - 6030-19B  
 Product group: Mobility Scooter  
 Productname: Xena 4-wheel  
 Batchnumber:

### Motor & transaxle assembly



Drawing No.	Item No.	Description	Purchase Price
101 to 104	-	Not available as spare part	
105	SE09F606AK0	Drivetrain connector (Male)	
106 to 112	-	Not available as spare part	
113	307010801B	Rear wheel 8" Air	
	SB05E207AK0	Rear wheel 8" Air from batch 5484	
113-1	SK07P211AB4	Outer tire for 8"(8*2.00)	
113-2	SK07P212AB4	Inner tube for 8"(8*2.00)	
114 to 116	-	Not available as spare part	
117	SK03P204A1G	Rear spring (set of 2)	
118 to 121	-	Not available as spare part	
122	SE06P561A3A	Anti-tip wheels (set of 2)	
123	RA02E102AK0	Transaxle with motor & brake	
123-1	RA02A101AK0	Transaxle	
123-2	RA02A303A00	Motor (ZE-4467D24-B:270W)	
123-3	RA02A302CK0	Brake (24V 3NM)	
124 to 125	-	Not available as spare part	
126	SF01P127AG0	Brake extension handle	
127	WE03P510B4B	Cover for brake extension handle (Yellow)	
128 to 131	-	Not available as spare part	
150	SF06P304A19	Center hub cover, Silver	