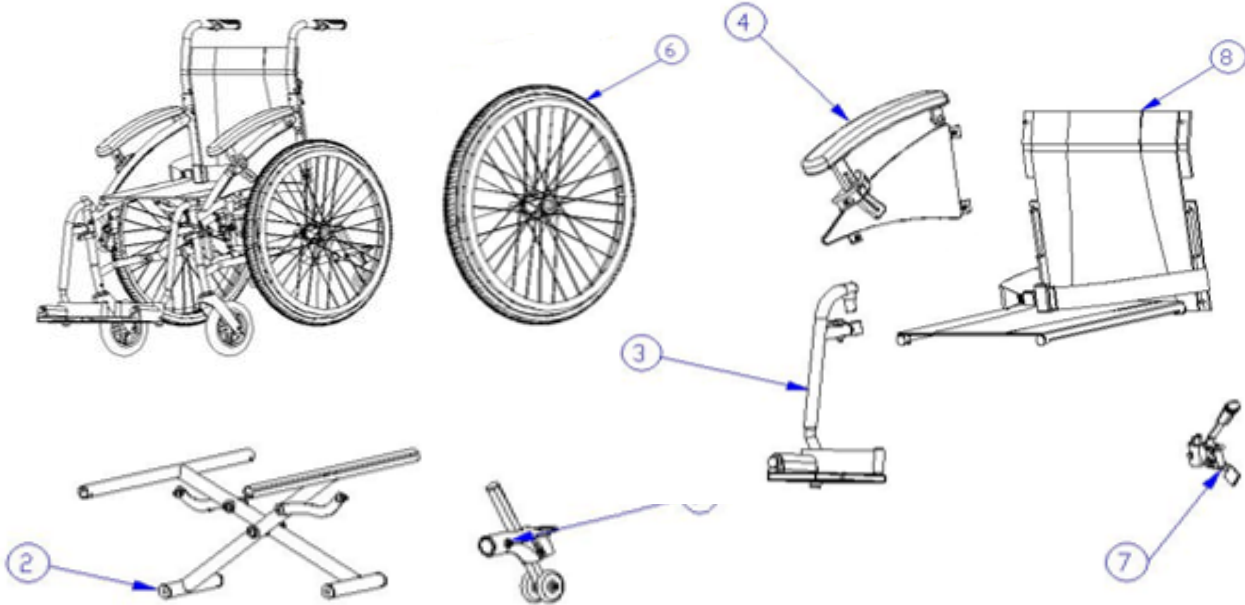


## CE-D09 Spare parts list



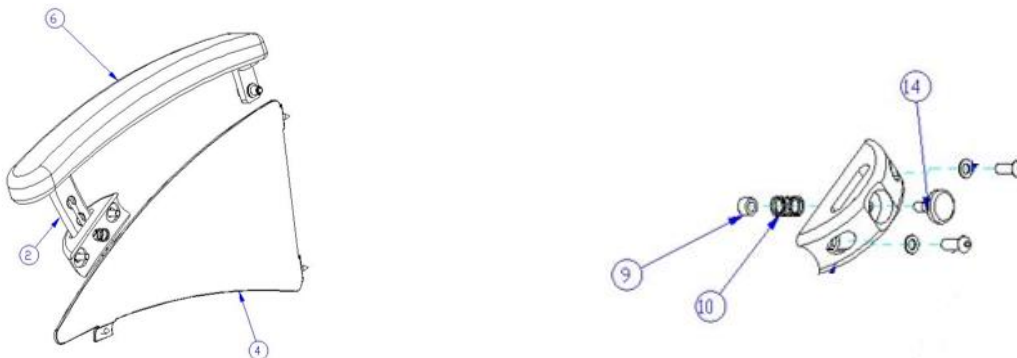
Identification number: TCF-VOMNL- 0136-09I  
 Product group: Manual wheelchair  
 Productname: Travixx Lite  
 Batchnumber: 4371

### Complete



Drawing No.	Item No.	Description	Purchase Price
2	23377045	Cross bar complete incl. folding mechanism, seat width 45cm	
3	63376200	Footrest complete, seat width 40/50 cm Left (Black)	
	63376210	Footrest complete, seat width 40/50 cm Right (Black)	
4	31370000	Height ajustable armpad kit , Left	
	31370010	Height ajustable armpad kit , Right	
5	80080005	Front wheel, 7" x 1¼", complete with bearings, PU (BLACK)	
6	43381004	24" x 1¾" rear wheel completely black PU (CFL)	
7	71370000	Brake complete, Left	
	71370010	Brake complete, Right	
8	53385045	Seat and back upholstery 45 x 42 cm Blue, with Travixx logo	
	53385445	Seat and back upholstery 45 x 42 cm White, with Travixx logo	
9	92137012	Anti-tipper, set of 2 pieces	

### Armrest



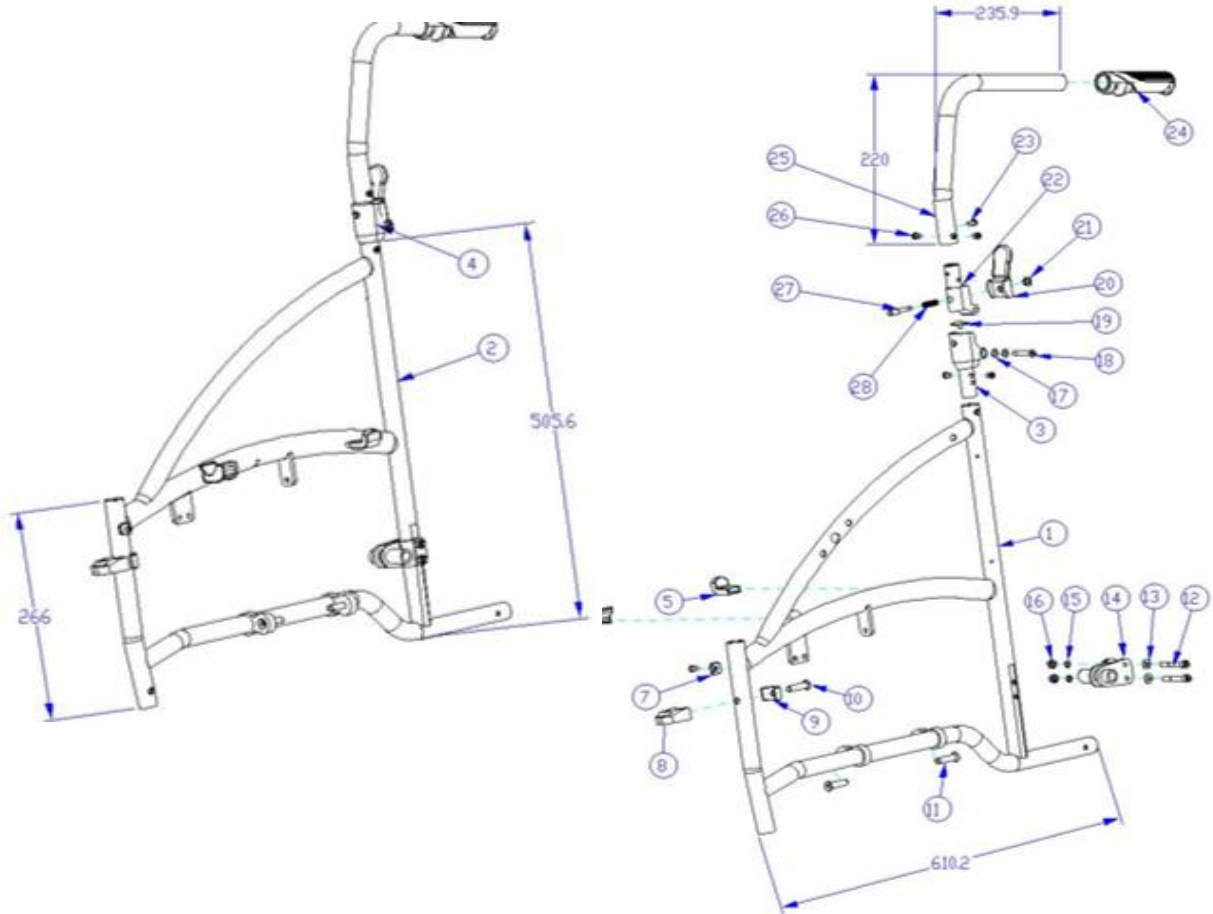
Drawing No.	Item No.	Description	Purchase Price
6 + 2	31370000	Armpad with height adjustable kit Left	
	31370010	Armpad with height adjustable kit Right	
4	33370105	Sideplate armrest Left	
	33370115	Sideplate armrest Right	
	31371005	Pushbutton + spring for armrest	
-	31371015	Height adjustable kit for armpad Left/Right	

## CE-D09 Spare parts list



Identification number: TCF-VOMNL- 0136-091  
 Product group: Manual wheelchair  
 Productname: Travixx Lite  
 Batchnumber: 4371

### Side frame



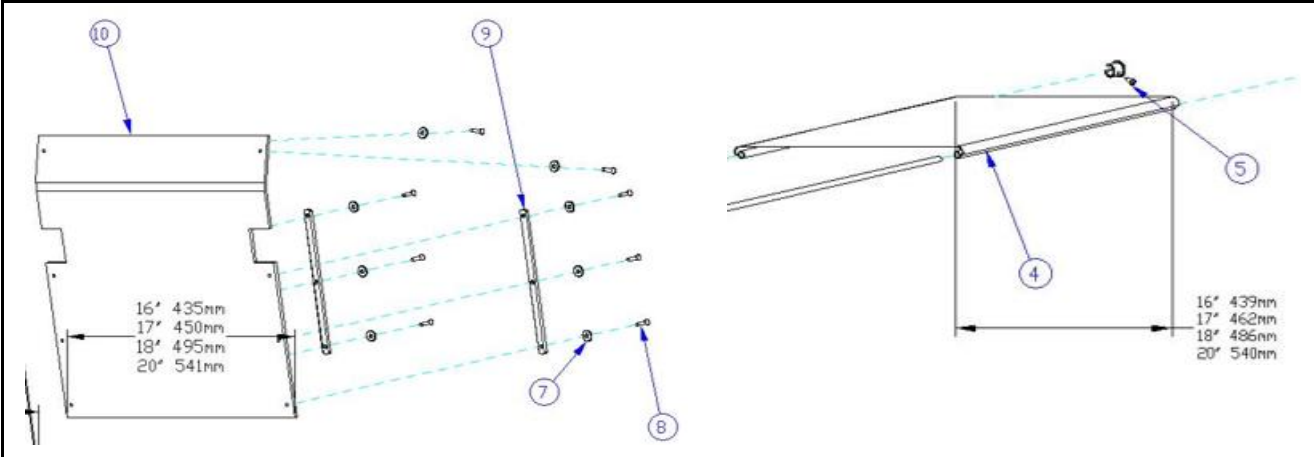
Drawing No.	Item No.	Description	Purchase Price
1 to 3	-	Not available as spare part	
4	11371016	Fixationmechanism with lever for foldable backtube	
5 + 6	-	Not available as spare part	
7 to 10	12362000	Footrest fixation block plastic	
11	-	Not available as spare part	
12 to 16	13372011	Axel bracket, (sleeve/ring/nut)	
17 to 28	WCAS17290-L	Height adjustable pushhandle incl. handgrip complete LEFT	
	WCAS17290-R	Height adjustable pushhandle incl. handgrip complete RIGHT	

## CE-D09 Spare parts list



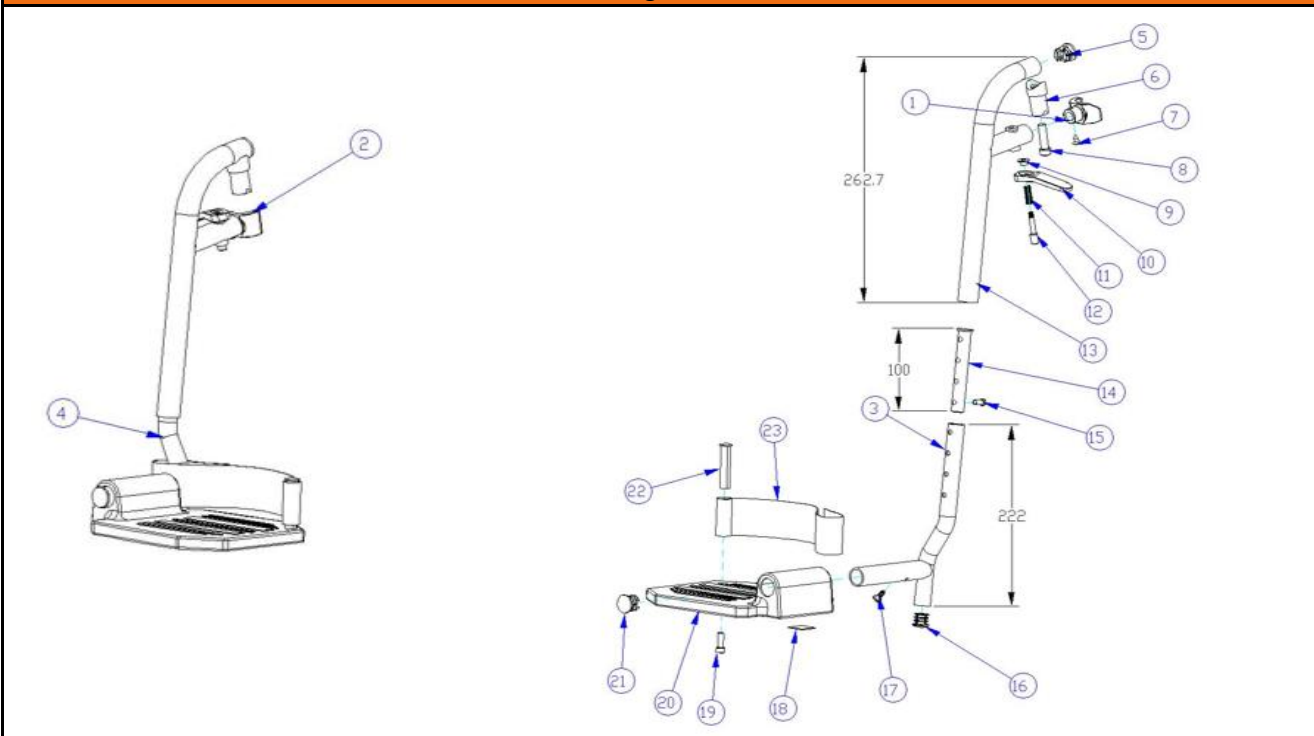
Identification number: TCF-VOMNL- 0136-09I  
 Product group: Manual wheelchair  
 Productname: Travixx Lite  
 Batchnumber: 4371

### Seat & back



Drawing No.	Item No.	Description	Purchase Price
4	53371045	Seat canvas 45 cm	
5; 7 to 9	-	Not available as spare part	
10	53372045	Back canvas 45 cm	

### Legrest



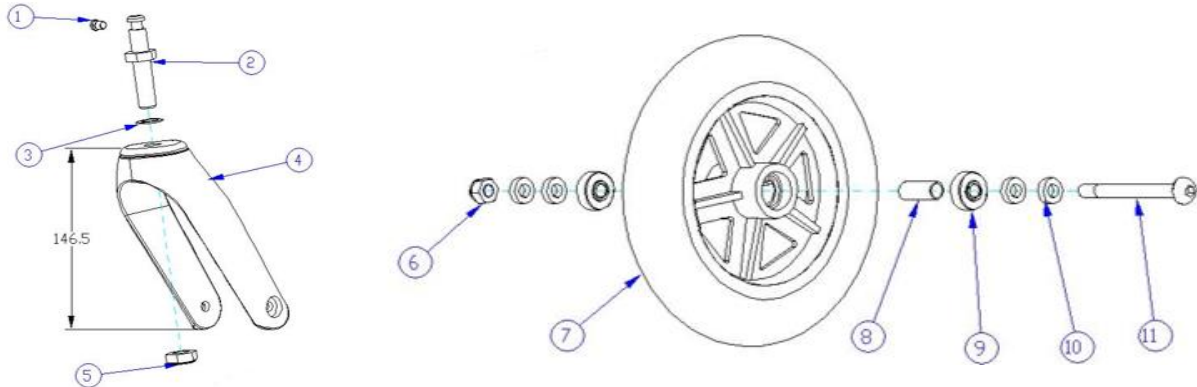
Drawing No.	Item No.	Description	Purchase Price
1 to 2; 5 to 12	63372200	Revision set for footrest Left	
	63372205	Revision set for footrest Right	
13	-	Not available as spare part	
14 + 15	63375000	Spacer tube for adjusting under leg tube	
15	20032401	Countersunk Screw for legrest (set of 10)	
3;4; 16 to 23	63373240	Footplate with connection pipe Left	
	63373250	Footplate with connection pipe Right	
23	61374640	Heel loop, nylon complete with mounting material	

## CE-D09 Spare parts list



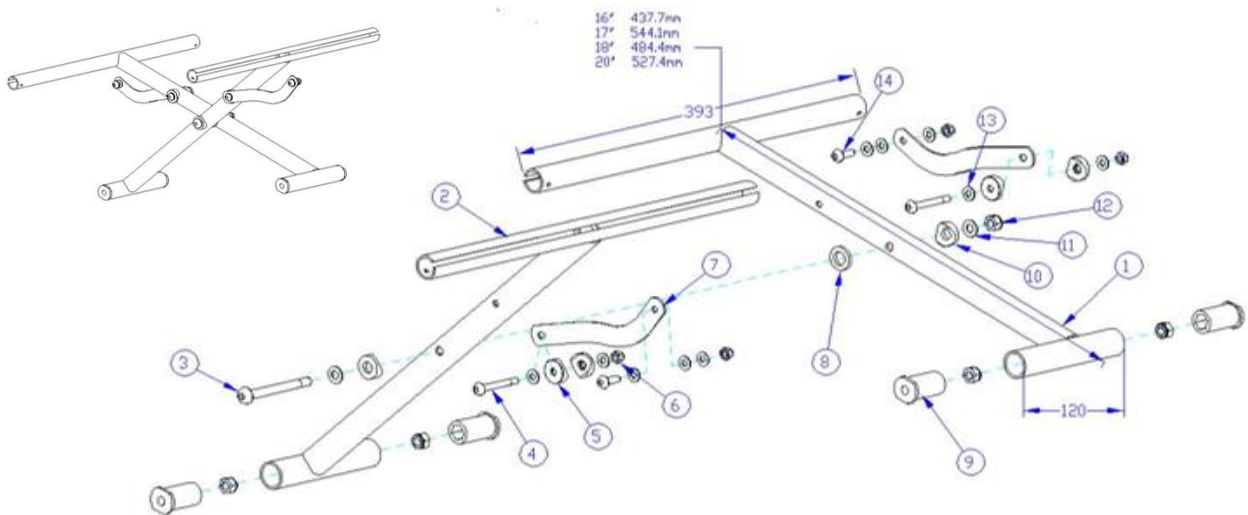
Identification number: TCF-VOMNL- 0136-091  
 Product group: Manual wheelchair  
 Productname: Travixx Lite  
 Batchnumber: 4371

### Front fork + front wheel



Drawing No.	Item No.	Description	Purchase Price
1 to 5	91370155	Front fork Left/Right for 7" front wheel	
6 to 11	80080005	Front wheel, 7" x 1¼", complete with bearings, PU (BLACK)	

### Cross frame



Drawing No.	Item No.	Description	Purchase Price
1 to 6	-	Not available as spare part	
7 + 8	23371601	Folding mechanism black for cross bar, seat width 45 cm	
9	21370000	Spacer tube, nut, screw for crossframe (set of 4)	
10 to 14	-	Not available as spare part	

### Accessoires

Drawing No.	Item No.	Description	Purchase Price
-	90131010	Crutchholder with mounting material and 4 stuff blocks	