

## CE-D09 Spare parts list



Identification number: TCF-VOMNL- 0136-09H  
Product group: Manual wheelchair  
Productname: Excel G-Explorer  
Batchnumber: from 3628

### Complete

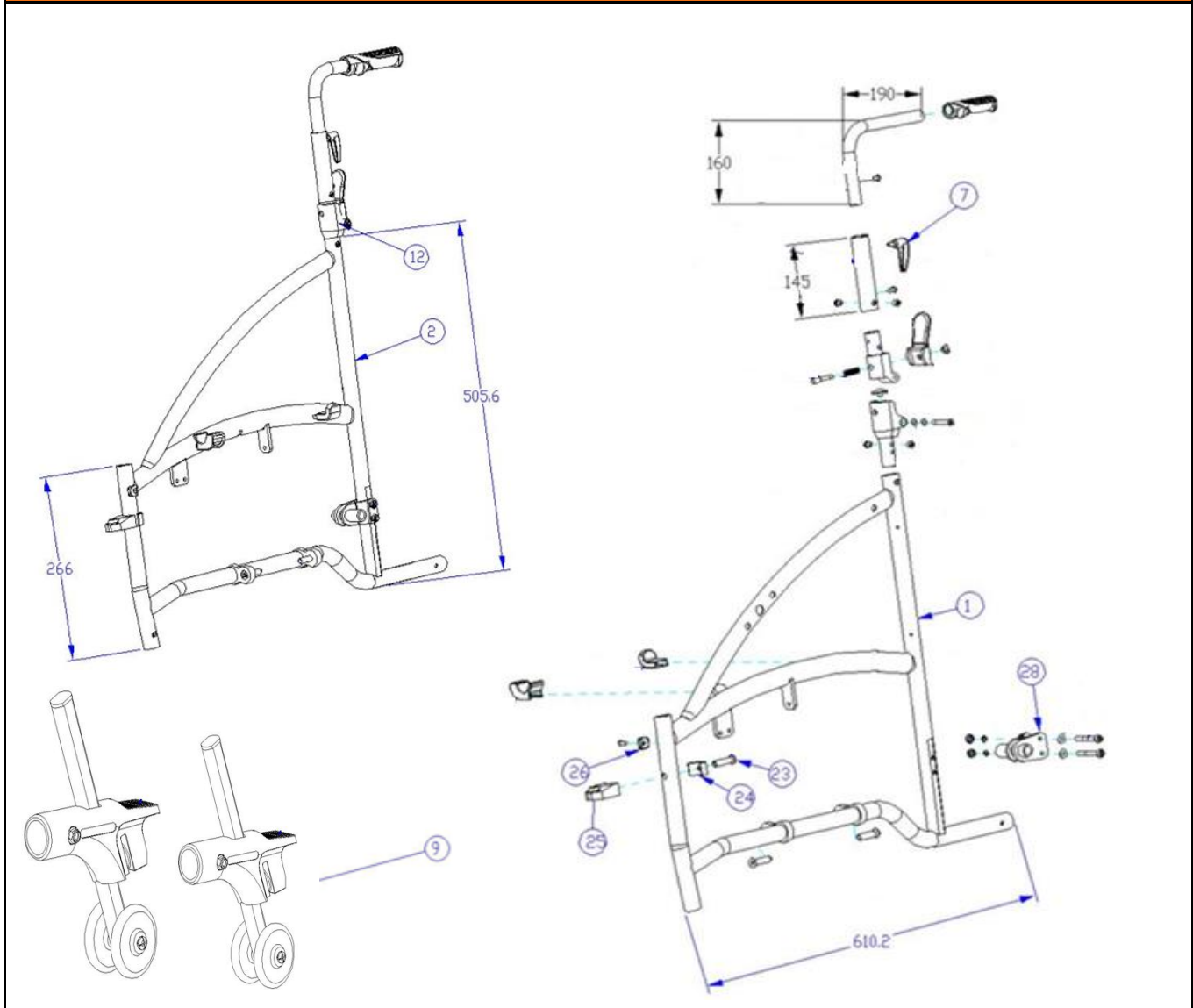


## CE-D09 Spare parts list



Identification number: TCF-VOMNL- 0136-09H  
 Product group: Manual wheelchair  
 Productname: Excel G-Explorer  
 Batchnumber: from 3628

### Sideframe



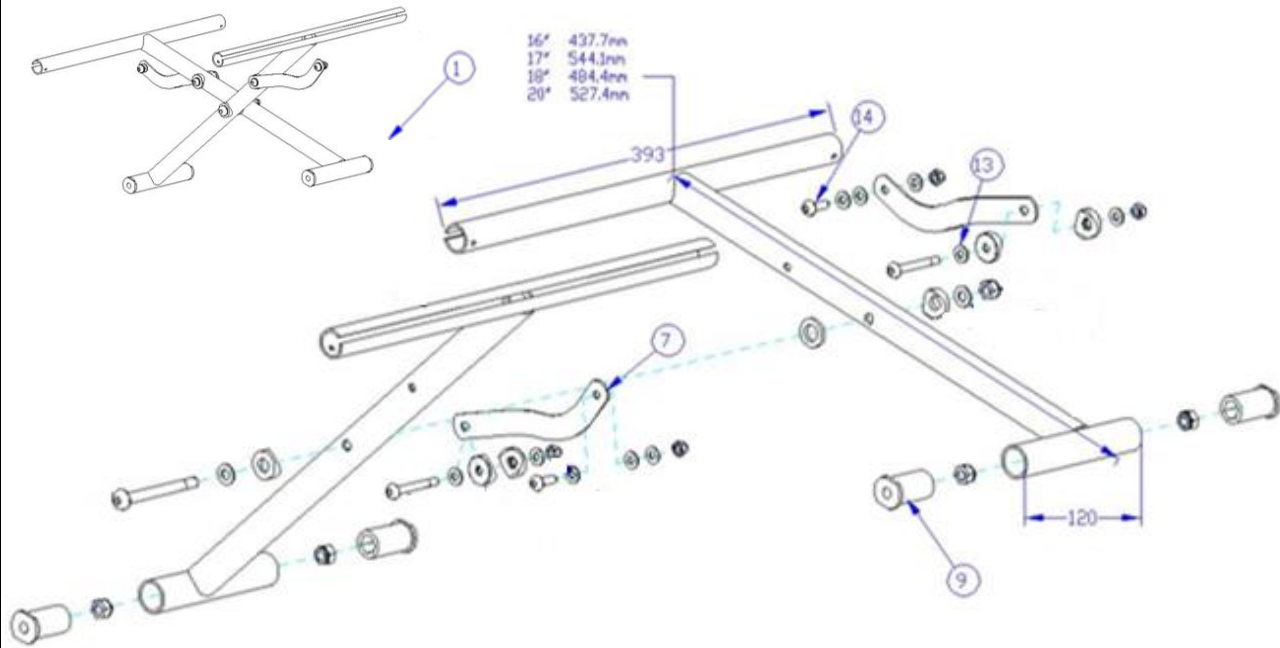
Drawing No.	Item No.	Description	Purchase Price
1	10136092	Side frame Silver Left	€ 88,00
	10136093	Side frame Black Left	€ 88,00
2	10136094	Side frame Black Right	€ 88,00
	10136095	Side frame Silver Right	€ 88,00
7	10136091	Quick release lever for handlebar	€ 6,00
9	92137012	Anti-tipper, set of 2 pieces	€ 118,53
12	11371016	Fixationmechanism with lever for fordable backtube	€ 52,00
23 to 26	12362000	Footrest fixation block (plastic)	€ 13,80
28	13372012	Axel bracket, (sleeve/ring/nut)	€ 15,81

## CE-D09 Spare parts list



Identification number: TCF-VOMNL- 0136-09H  
 Product group: Manual wheelchair  
 Productname: Excel G-Explorer  
 Batchnumber: from 3628

### Crossframe



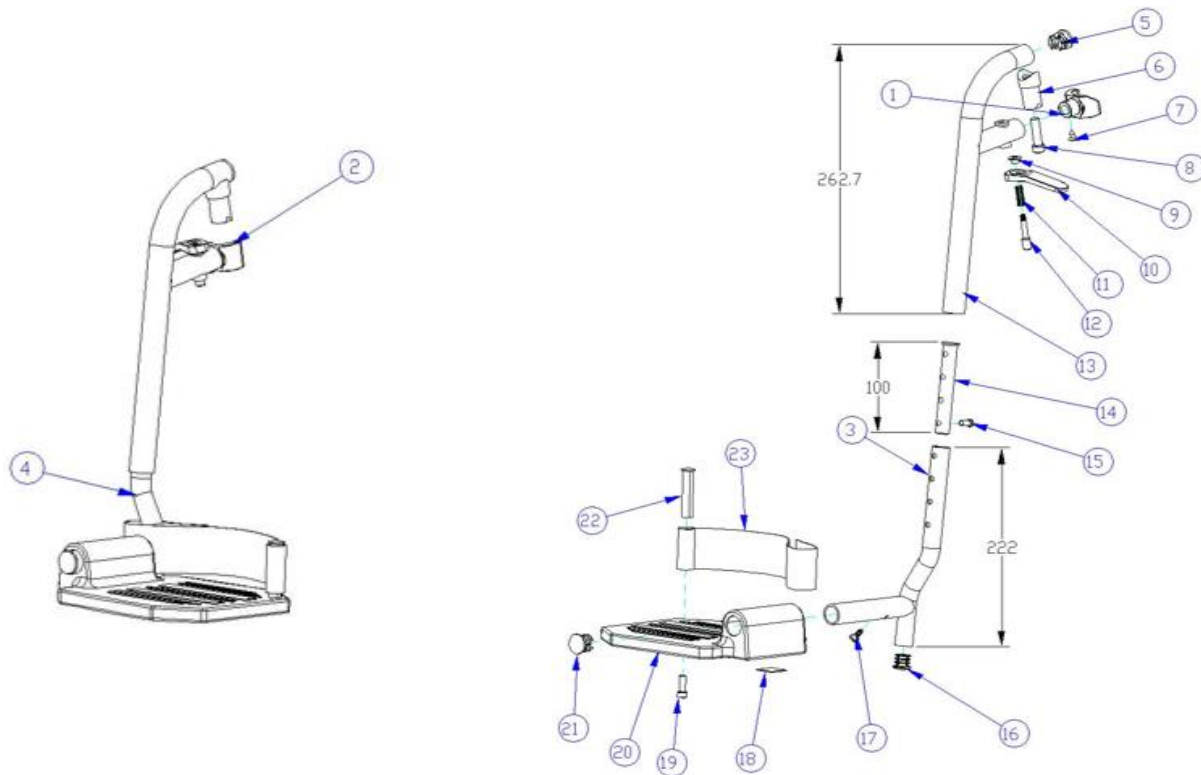
Drawing No.	Item No.	Description	Purchase Price
1	20136092	Cross bar complete incl. folding mechanism, seat width 45cm; Silver	€ 72,00
	20136093	Cross bar complete incl. folding mechanism, seat width 50 cm; Silver	€ 76,00
	20136095	Cross bar complete incl. folding mechanism, seat width 45cm; Black	€ 72,00
	20136096	Cross bar complete incl. folding mechanism, seat width 50 cm; Black	€ 76,00
7; 13 & 14	20136012	Folding mechanism Black for cross bar, seat width 45 cm	€ 15,00
	20136013	Folding mechanism Black for cross bar, seat width 50 cm	€ 15,00
9	21370000	Spacer tube, nut, screw for crossframe (set of 4)	€ 40,69

## CE-D09 Spare parts list



Identification number: TCF-VOMNL- 0136-09H  
 Product group: Manual wheelchair  
 Productname: Excel G-Explorer  
 Batchnumber: from 3628

### Legrest



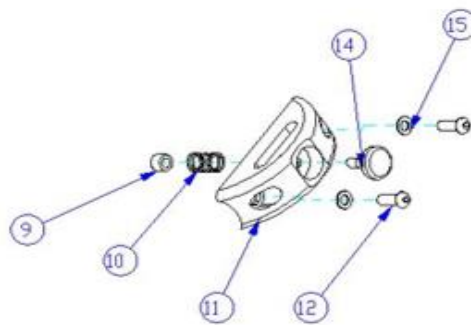
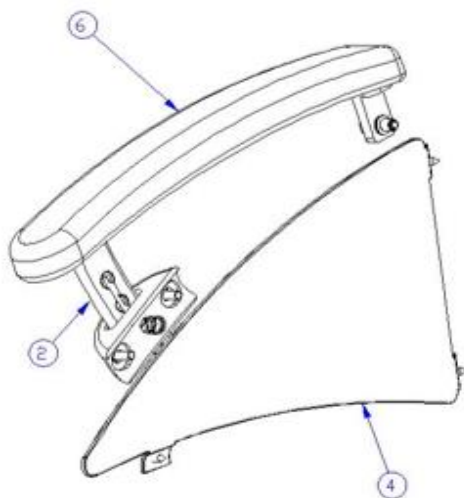
Drawing No.	Item No.	Description	Purchase Price
2	63372200	Revision set for footrest Left	€ 47,47
1; 6 to 12	63372205	Revision set for footrest Right	€ 47,47
4	60136091	Footrest complete Silver Left	€ 96,00
	60136092	Footrest complete Silver Right	€ 96,00
	60136093	Footrest complete Black Left	€ 96,00
	60136094	Footrest complete Black Right	€ 96,00
	63373020	Elevating legrest complete; seat width 40/50 cm Left	€ 199,01
	63373030	Elevating legrest complete; seat width 40/50 cm Right	€ 199,01
14 + 15	63375000	Spacer tube for adjusting under leg tube	€ 29,48
15	20032401	Countersunk Screw for legrest (set of 10)	€ 10,61
3; 16 to 23	63373240	Footplate with connection pipe Left	€ 81,62
	63373250	Footplate with connection pipe Right	€ 81,62
22 + 23	61374640	Heel loop, nylon complete with mounting material	€ 19,37

## CE-D09 Spare parts list



Identification number: TCF-VOMNL- 0136-09H  
 Product group: Manual wheelchair  
 Productname: Excel G-Explorer  
 Batchnumber: from 3628

### Armrest



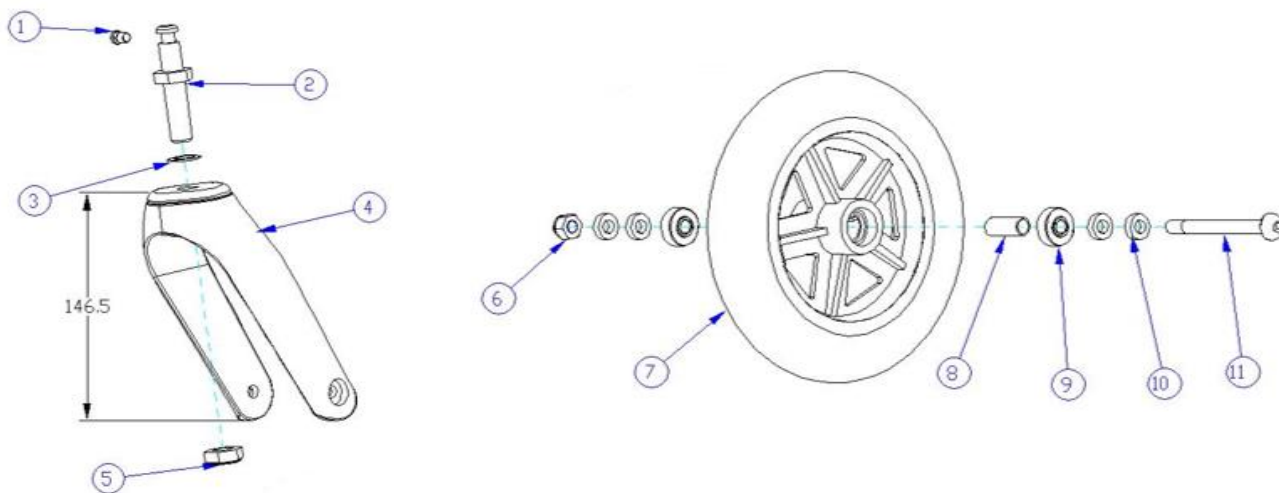
Drawing No.	Item No.	Description	Purchase Price
2 + 6	31370000	Height adjustable armpad kit Left	€ 123,12
	31370010	Height adjustable armpad kit Right	€ 123,12
4	30136091	Sideplate armrest Left G-explorer	€ 20,76
	30136092	Sideplate armrest Right G-explorer	€ 20,76
9; 10 & 14	31371005	Pushbutton + spring for armrest	€ 5,90
9 to 15	31371015	Height adjustable kit for armrest Left/Right	€ 26,89

## CE-D09 Spare parts list



Identification number: TCF-VOMNL- 0136-09H  
 Product group: Manual wheelchair  
 Productname: Excel G-Explorer  
 Batchnumber: from 3628

### Front fork + front wheel



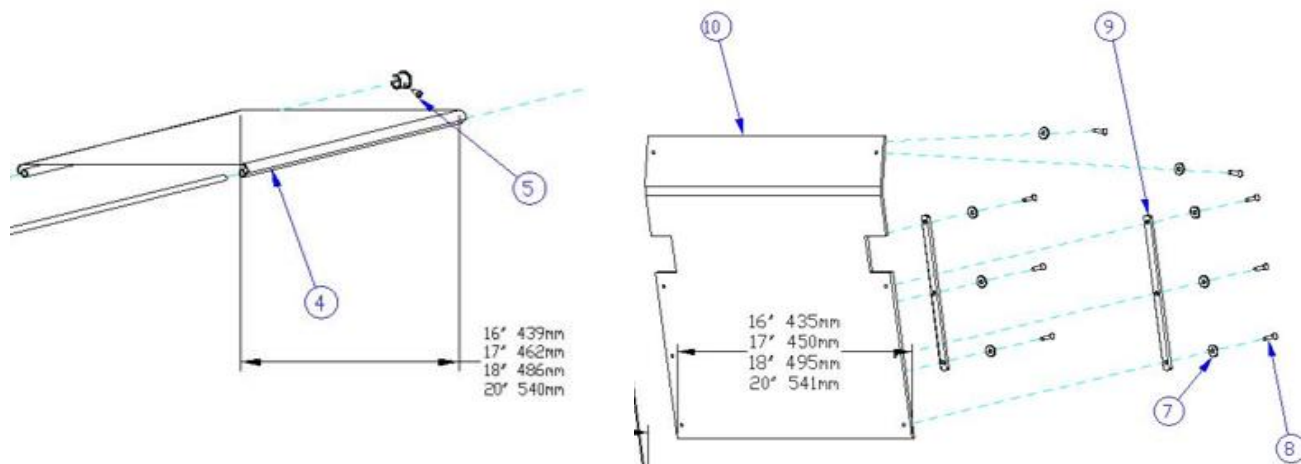
Drawing No.	Item No.	Description	Purchase Price
1 to 5	91370155	Front fork Left/Right for 7" front wheel	€ 34,52
6 to 11	80080005	Front wheel, 7" x 1¼", complete with bearings, PU (BLACK)	€ 41,50

## CE-D09 Spare parts list



Identification number: TCF-VOMNL- 0136-09H  
 Product group: Manual wheelchair  
 Productname: Excel G-Explorer  
 Batchnumber: from 3628

### Seat & back



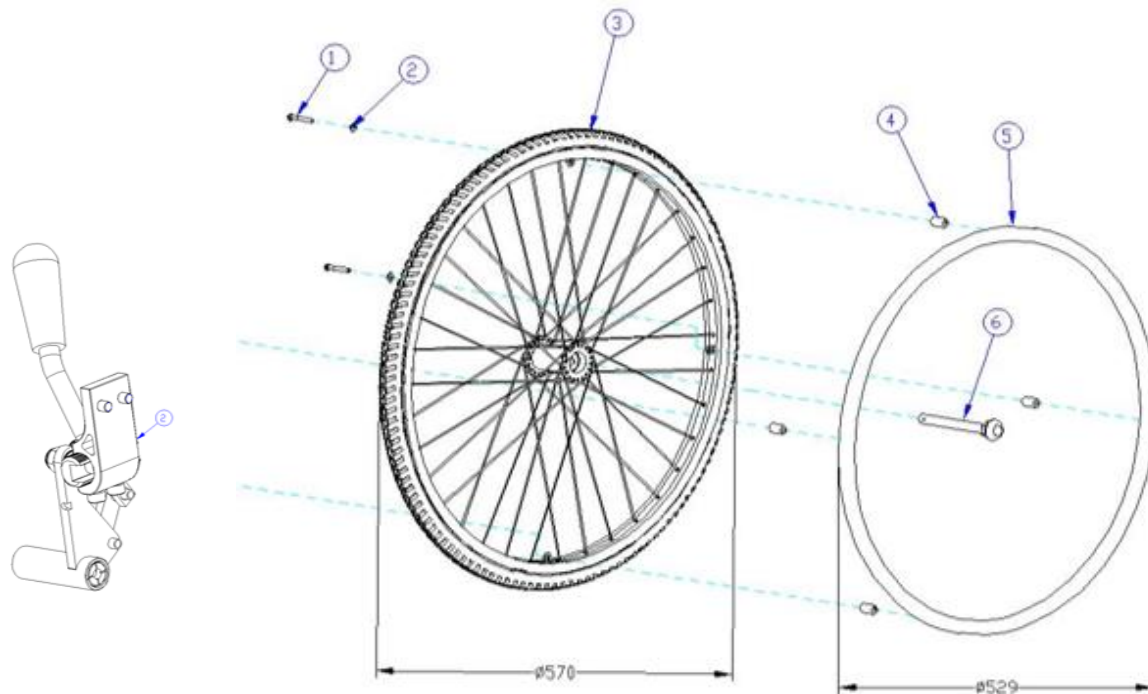
Drawing No.	Item No.	Description	Purchase Price
4	53371045	Seat canvas 45 cm	€ 51,75
	53371050	Seat canvas 50 cm	€ 51,75
7 to 9	-	Not available as spare part	-
10	53372045	Back canvas 45 cm	€ 51,75
	53372050	Back canvas 50 cm	€ 51,75
-	50136091	Seat and back upholstery 45x 42 cm Black	€ 100,00
-	50136092	Seat and back upholstery 50 x 42 cm Black	€ 100,00

## CE-D09 Spare parts list



Identification number: TCF-VOMNL- 0136-09H  
 Product group: Manual wheelchair  
 Productname: Excel G-Explorer  
 Batchnumber: from 3628

### Rear wheel



Drawing No.	Item No.	Description	Purchase Price
1;2 & 4	40136093	Handrim distance bushes incl. bolt (4 pieces)	€ 3,00
3	43370000	Outer tire mountain bike 24" Air	€ 17,60
	43370100	Mountain bike rear wheel 24" x 1,95" Air Left/Right	€ 192,30
5	43370110	24" air tyre	€ 6,47
6	40081000	Quick-release axle with design cap, 13.0 cm	€ 17,98
2	71370000	Brake complete, Left	€ 31,82
	71370010	Brake complete, Right	€ 31,19