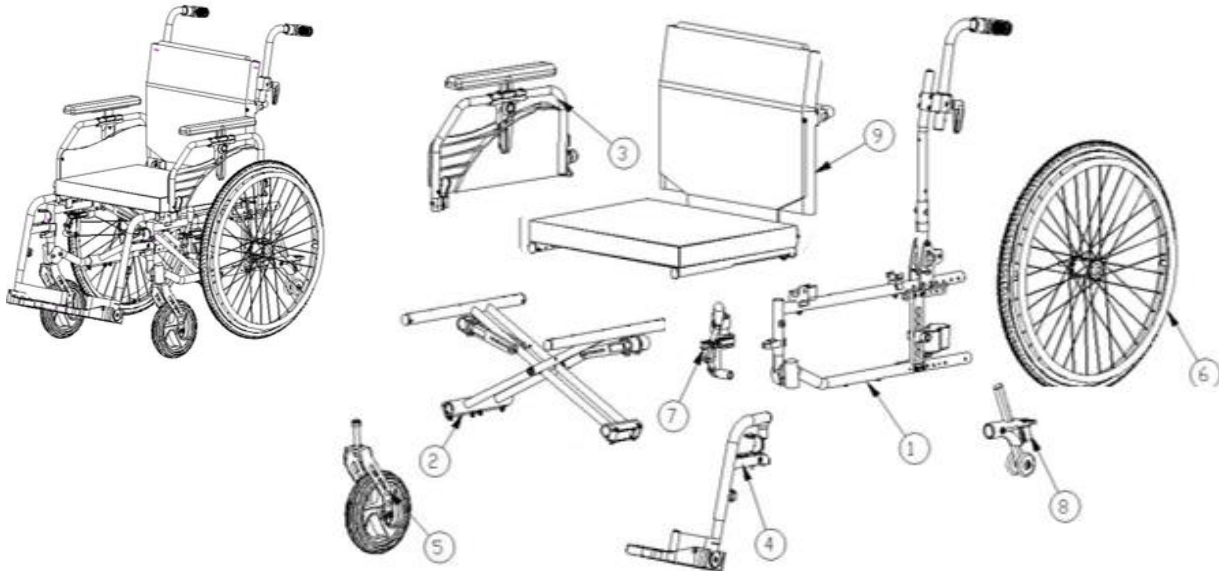


CE-D09 Spare parts list



Identification number: TCF-VOMNL - 0213-09H
 Product group: Manual wheelchair
 Productname: G-modular
 Batchnumber:

Complete



Drawing No.	Item No.	Description	Purchase Price
1	12430200	Side frame Left	€ 240,71
	12430210	Side frame Right	€ 240,71
2	22430035	Cross frame complete incl. swing axle & mounting material sw 35 cm	€ 134,88
	22430037	Cross frame complete incl. swing axle & mounting material sw 37,5 cm	€ 134,88
	22430040	Cross frame complete incl. swing axle & mounting material sw 40 cm	€ 134,88
	22430042	Cross frame complete incl. swing axle & mounting material sw 42,5 cm	€ 134,88
	22430045	Cross frame complete incl. swing axle & mounting material sw 45 cm	€ 134,88
	22430050	Cross frame complete incl. swing axle & mounting material sw 50 cm	€ 134,88
	22430055	Cross frame complete incl. swing axle & mounting material sw 55 cm	€ 134,88
	3	32430080	Armrest long, foldable/detachable height and depth adjustable, Left
32430090		Armrest long, foldable/detachable height and depth adjustable, Right	€ 287,74
4	62434201	Foot support, swing-away seat width 35-55 cm; Left	€ 210,28
	62434211	Foot support, swing-away seat width 35-55 cm; Right	€ 210,28
	60086020	Elevating legrest complete, Left 40/50 cm	€ 268,38
	60086030	Elevating legrest complete, Right 40/50 cm	€ 268,38
	60086040	Elevating legrest, width adjust footplate 55/60cm Left	€ 268,38
	60086050	Elevating legrest, width adjust footplate 55/60cm Right	€ 268,38
5	82430015	Front fork, Black Left	€ 55,34
	82430020	Front fork, Black Right	€ 55,34
6	40080004	24" x 13/8" rear wheel PU Left/Right	€ 179,84
	40080000	24" x 13/8" rear wheel AIR Left/Right	€ 166,01
	40080003	22" x 13/8" rear wheel PU Left/Right	€ 179,84
	40080001	22" x 13/8" rear wheel AIR Left/Right	€ 166,01
7	70080000	Brake complete; Left	€ 31,82
	70080010	Brake complete, Right	€ 31,82
8	92000015	Anti-tippers, set of 2 pieces, until seat high 50cm	€ 135,63
	92000012	Anti-tipper, set of 2 pieces, for seat high 52½ and 55cm	€ 135,63

CE-D09 Spare parts list



Identification number: TCF-VOMNL - 0213-09H
Product group: Manual wheelchair
Productname: G-modular
Batchnumber:

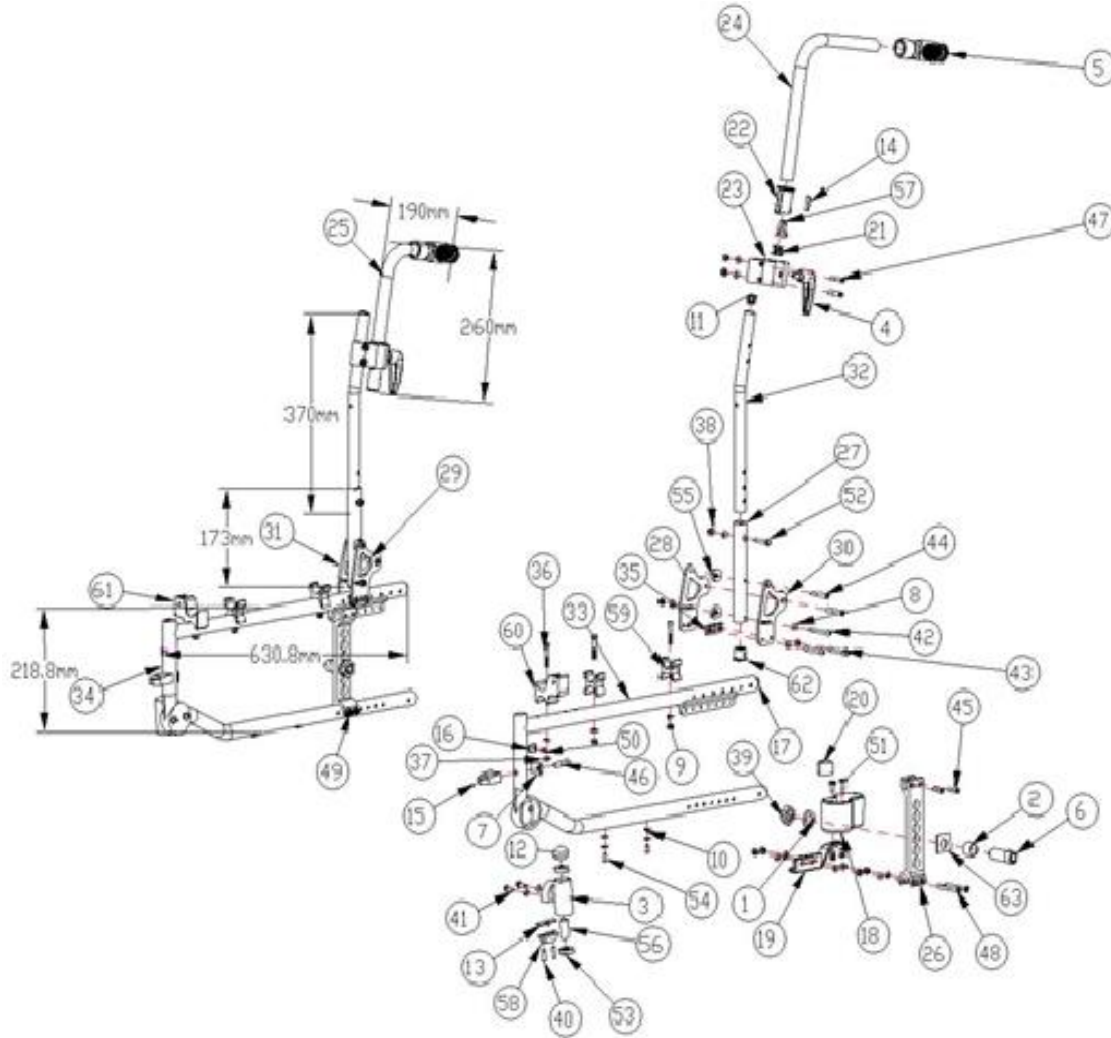
9	52431535	Backrest complete with push handles and back tubes, seat width 35 cm	€	244,72
	52431537	Backrest complete with push handles and back tubes, seat width 37,5 cm	€	244,72
	52431540	Backrest complete with push handles and back tubes, seat width 40 cm	€	244,72
	52431542	Backrest complete with push handles and back tubes, seat width 42,5 cm	€	244,72
	52431545	Backrest complete with push handles and back tubes, seat width 45 cm	€	244,72
	52431550	Backrest complete with push handles and back tubes, seat width 50 cm	€	244,72
	52431555	Backrest complete with push handles and back tubes, seat width 55 cm	€	244,72

CE-D09 Spare parts list



Identification number: TCF-VOMNL - 0213-09H
 Product group: Manual wheelchair
 Productname: G-modular
 Batchnumber:

Side frame



Drawing No.	Item No.	Description	Purchase Price
1 to 2	-	Not available as spare part	-
3; 12; 13; 40; 41; 53; 56; 58	82130100	Bearing house holder complete including bearing L (set of 2)	€ 56,34
	82130110	Bearing house holder for seat height 52½ cm (set of 2)	€ 53,95
	82130120	Bearing house holder for seat height 55 cm (set of 2)	€ 53,95
4; 23; 47	12431018	Connection bracket (flat inside) for height adjustable push handles	€ 34,59
5	12138105	Ergonomic handgrip	€ 40,81
6; 26; 48; 63	12432020	Axle plate (black) including fix mat and axle bush 24"	€ 49,80
-	52210510	Gaspring complete for continuous adjustment of backrest Left	€ 99,61
	52210515	Gaspring complete for continuous adjustment of backrest Right	€ 99,61

CE-D09 Spare parts list



Identification number: TCF-VOMNL - 0213-09H

Product group: Manual wheelchair

Productname: G-modular

Batchnumber:

Side frame

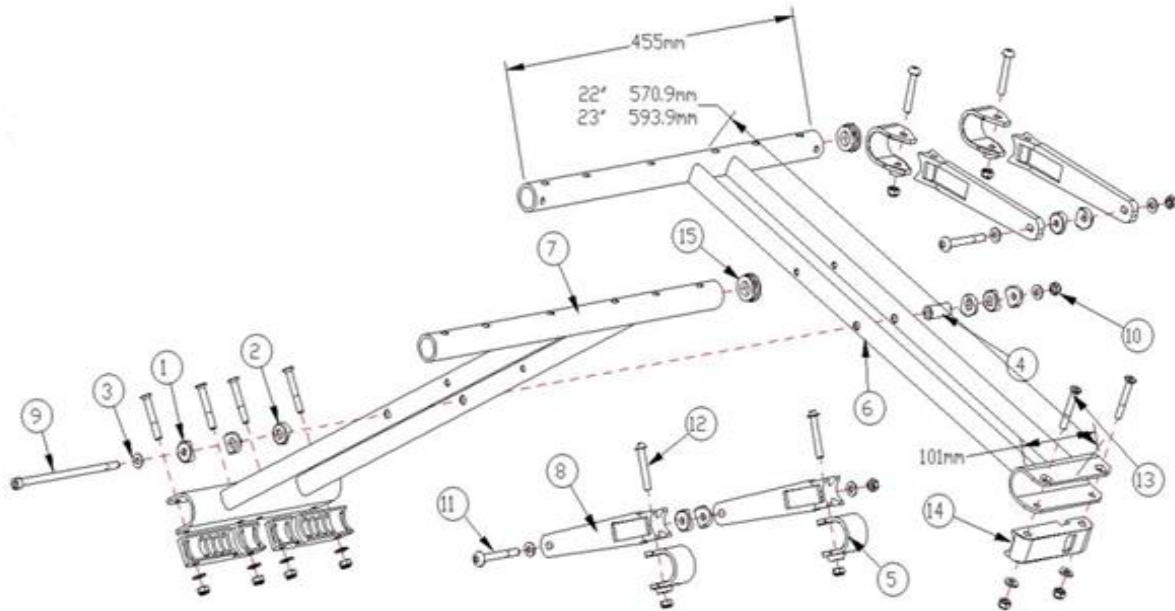
Drawing No.	Item No.	Description	Purchase Price
7; 15; 16; 37; 46	12362000	Fixation block, Plastic for footrest	€ 13,80
29	12130800	Mounting plates for the back and armrest complete Left	€ 32,51
31	12130810	Mounting plates for the back and armrest complete Right	€ 32,51
9 & 59	12430265	Plastic receiving rearside for crossframe Left/Right	€ 15,21
61	12432050	Plastic receiving bracket for armrest/crossframe Left	€ 15,21
60	12432060	Plastic receiving bracket for armrest/crossframe Right	€ 15,21
10 & 54	-	Not available as spare part	-
11	-	Not available as spare part	-
12	82130910	Bearing house cover caps, set of 2	€ 10,38
14; 17	-	Not available as spare part	-
18 to 20; 51	90081015	Crutch holder incl. mounting material	€ 19,46
21 to 24	-	Not available as spare part	-
25	12138110	Height adjustable push handle, incl ergonomic handgrip (set of 2)	€ 121,52
27; 38; 45 & 52	-	Not available as spare part	-
32	12131020	Backrest tube	€ 47,04
33	12430200	Side frame Left	€ 240,71
34	12430210	Side frame Right	€ 240,71
39; 49 & 62	-	Not available as spare part	-

CE-D09 Spare parts list



Identification number: TCF-VOMNL - 0213-09H
 Product group: Manual wheelchair
 Productname: G-modular
 Batchnumber:

Crossframe



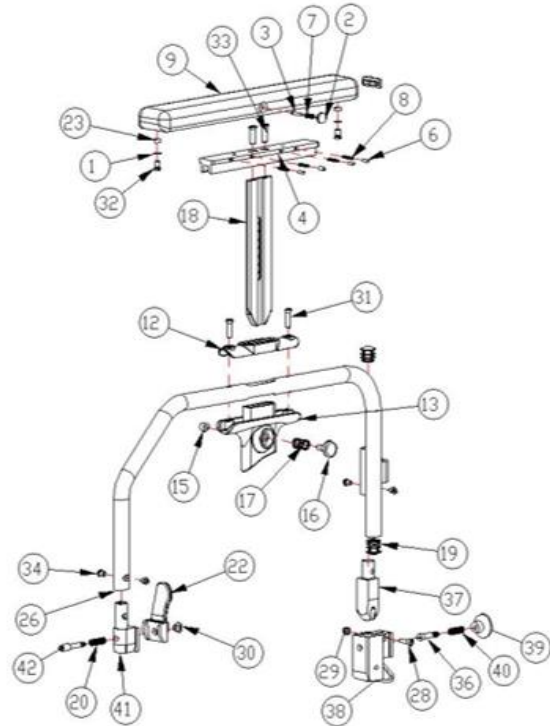
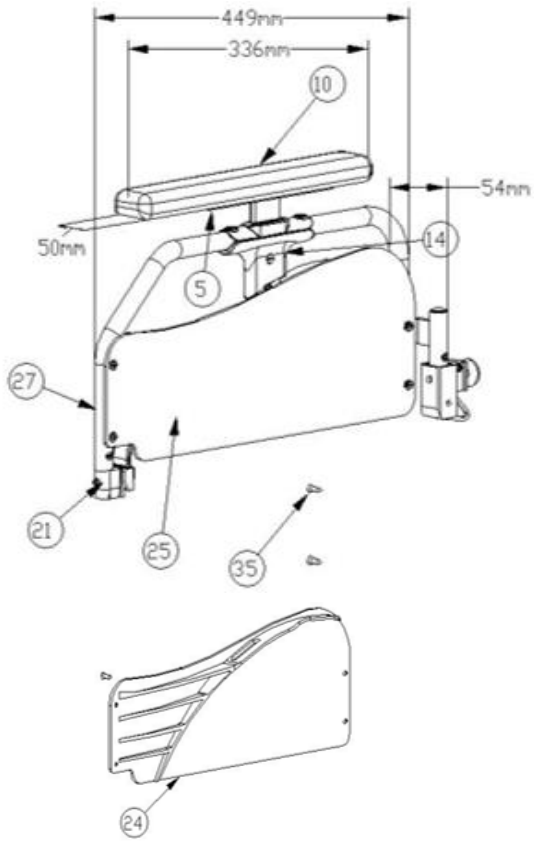
Drawing No.	Item No.	Description	Purchase Price
	22430035	Crossframe complete with folding mechanism, black, 35 cm	€ 134,88
	22430037	Crossframe complete with folding mechanism, black, 37,5 cm	€ 134,88
	22430040	Crossframe complete with folding mechanism, black, 40 cm	€ 134,88
	22430042	Crossframe complete with folding mechanism, black, 42,5 cm	€ 134,88
	22430045	Crossframe complete with folding mechanism, black, 45 cm	€ 134,88
	22430050	Crossframe complete with folding mechanism, black, 50 cm	€ 134,88
	22430055	Crossframe complete with folding mechanism, black, 55 cm	€ 134,88
1 to 4	-	Not available as spare part	-
6 to 7	-	Not available as spare part	-
7-1	22133000	Side frame seat depth adjustmenttube 40 to 52,5 cm incl. starknob	€ 26,28
8 to 15	-	Not available as spare part	-

CE-D09 Spare parts list



Identification number: TCF-VOMNL - 0213-09H
Product group: Manual wheelchair
Productname: G-modular
Batchnumber:

Armrest



CE-D09 Spare parts list



Identification number: TCF-VOMNL - 0213-09H

Product group: Manual wheelchair

Productname: G-modular

Batchnumber:

Armrest

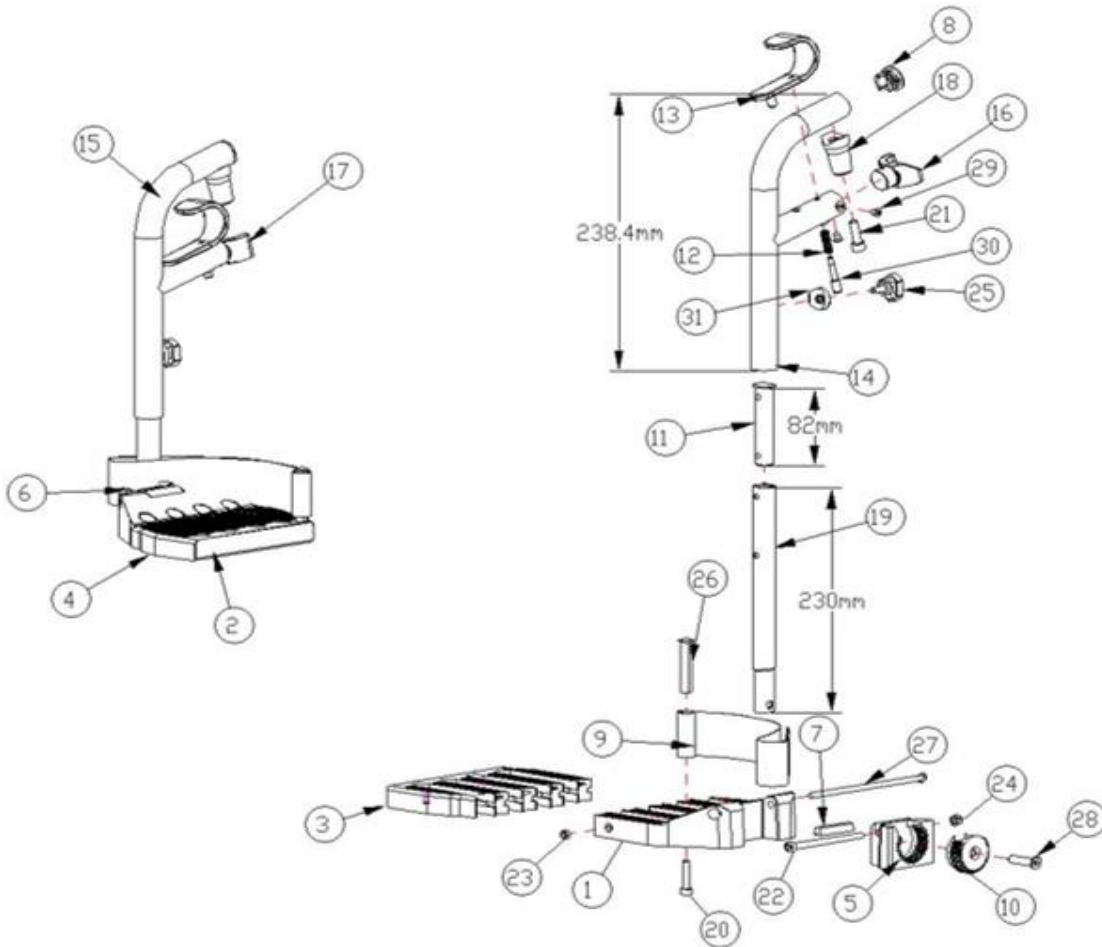
Drawing No.	Item No.	Description	Purchase Price
2	30082550	Pressure plug for depth adjustable armpad (set of 10)	€ 46,00
4 + 18	-	Not available as spare part	-
5 + 18	-	Not available as spare part	-
6 + 8	32135500	Service kit for armpad, 8 springs & pins	€ 6,92
	32135505	Service kit for armpad, 8 springs & pins (metal)	€ 6,92
9	32130500	PU armrest long Left	€ 33,84
10	32130505	PU armrest long Right	€ 33,84
11 & 12	-	Not available as spare part	-
13 to 17	-	Not available as spare part	-
	-	Not available as spare part	-
19	-	Not available as spare part	-
	32430600	Armrest fixation kit Left	€ 33,20
20 to 22; 30; 41; 42	32430610	Armrest fixation kit Right	€ 33,20
23	-	Not available as spare part	-
24	KW473-1L	Side panel Left	€ 25,95
25	KW473-1R	Side panel Right	€ 25,95
28; 29; 36 to 40	12132070	Armrest block rear side for armrest, receiving block rearside	€ 24,21
31 to 35	-	Not available as spare part	-
-	30083050	Hemiplegic armrest, bowl shaped, including mount Left	€ 474,10
-	30083055	Hemiplegic armrest, bowl shaped, including mount Right	€ 474,10

CE-D09 Spare parts list



Identification number: TCF-VOMNL - 0213-09H
Product group: Manual wheelchair
Productname: G-modular
Batchnumber:

Footrest



CE-D09 Spare parts list



Identification number: TCF-VOMNL - 0213-09H

Product group: Manual wheelchair

Productname: G-modular

Batchnumber:

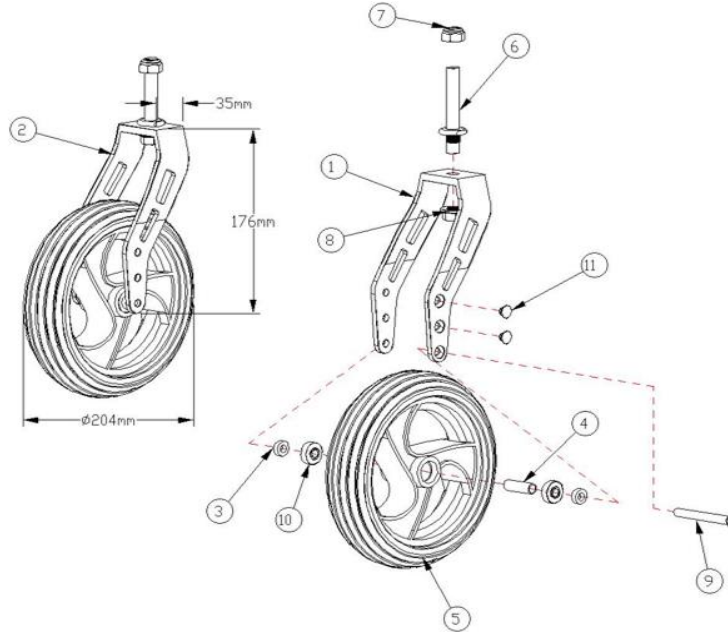
Drawing No.	Item No.	Description	Purchase Price
	62434000	Footplate incl. insert tube Left	€ 95,46
1 to 11; 19 to 28	62434010	Footplate incl. insert tube Right	€ 95,46
	62133213	Foot plate extension part 5cm for sw 55-60 cm incl mount material	€ 62,25
8;12; 13; 16 to	62434250	Revision set for footrest Left	€ 47,47
18;21; 29 to 30	62434255	Revision set for footrest Right	€ 47,47
11	60087030	Spacer tube for adjusting under leg tube of the footrest	€ 6,92
14 & 15	-	Not available as spare part	-
9; 20; 26	62134645	Heel loop Nylon, complete with mounting material	€ 20,75
25 + 31	60087025	Triangle screw + washer	€ 6,92
-	60086520	Amputation support, swing-away, detachable & angle adjustable Left	€ 249,01
-	60086530	Amputation support, swing-away, detachable & angle adjustable Right	€ 249,01
-	60083100	Suspend part for Gypsum aid or elevating legrest Left	€ 109,29
-	60083110	Suspend part for Gypsum aid or elevating legrest Right	€ 109,29
-	08500620	Standard calf plates	-
-	57503700	Standard calf plate Stretch Cover Per Set	€ 364,42
-	57503720	Standard calf plate Velour Cover Per Set	€ 371,50
-	57503710	Standard calf plate broadened Stretch Cover Per Set	€ 376,22
-	57503730	Standard calf plate broadened Velour Cover Per Set	€ 383,29
-	62139000	Calf strap	-
-	60083190	Connectionplates (set of 2) for calfsupport	€ 12,45

CE-D09 Spare parts list



Identification number: TCF-VOMNL - 0213-09H
 Product group: Manual wheelchair
 Productname: G-modular
 Batchnumber:

Front wheel + Front fork



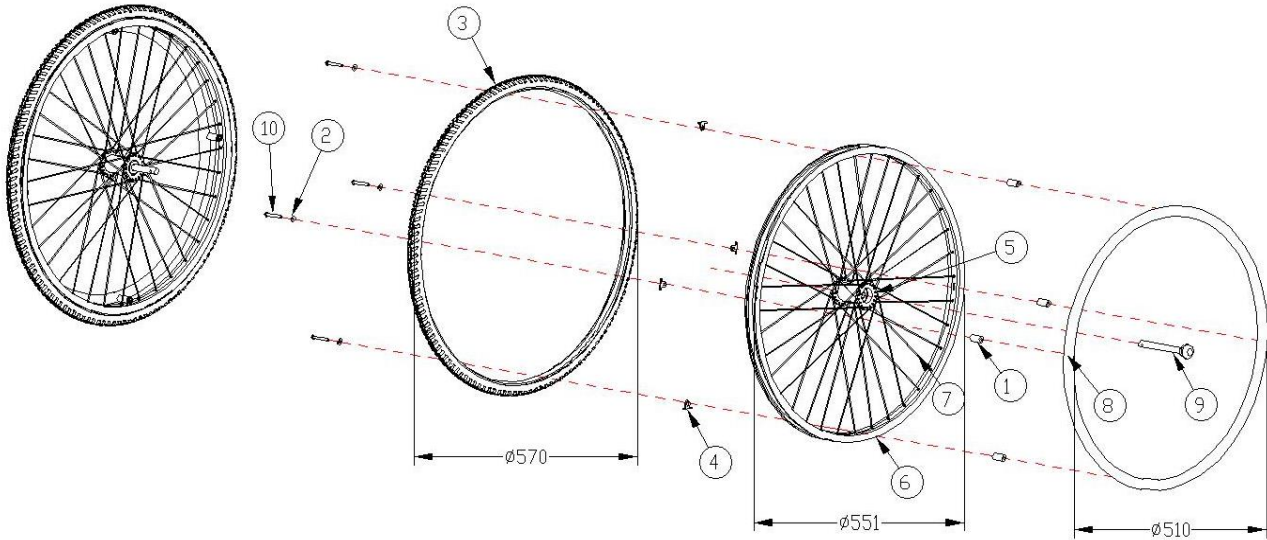
Drawing No.	Item No.	Description	Purchase Price
1	82430015	Front fork, Black Left	€ 55,34
2	82430020	Front fork, Black Right	€ 55,34
3 to 4 & 10	80001006	Axle set for front wheel with 6 cm hub	€ 8,63
3 to 5 & 10	80002000	Front wheel 8 x 1¼" complete with bearings, PU, hub of 6cm	€ 52,57
	80000002	Front wheel 8" x 1¼" inner and outer tyre, AIR, 4cm hub	€ 41,50
	80000025	Front wheel 200x50mm complete with bearings, PU, hub of 6cm	€ 38,74
	80000020	Front wheel 200x50mm inner and outer tyre, AIR	€ 38,74
	02080821	Front wheel 5" x 1¼" PU	€ 23,00
	80080020	Front wheel 6 x 1¼" complete with bearings, PU, hub of 4cm	€ 38,74
	80000040	Front wheel 6 x 1¼" inner and outer tyre, AIR	€ 38,74
	80080000	Front wheel 7"x 1¼" with bearings, PU, hub of 42mm	€ 41,50
6 to 8	-	Not available as spare part	-

CE-D09 Spare parts list



Identification number: TCF-VOMNL - 0213-09H
 Product group: Manual wheelchair
 Productname: G-modular
 Batchnumber:

Rear wheel



Rear wheel

Drawing No.	Item No.	Description	Purchase Price
1 to 2	-	Not available as spare part	-
3	40010000	Outer tyre 24" x 1 3/8" AIR 12,5 inch achterwielen	€ 20,75
4 to 8	-	Not available as spare part	-
9	40081000	Quick-Release axle with design knob, 13.0 cm	€ 17,98
-	70080300	Drumbrake system including 24" x 1 3/8" rear wheel PU; Left	€ 525,69
-	70080310	Drumbrake system including 24" x 1 3/8" rear wheel PU; Right	€ 525,69
-	70080400	Drumbrake system including 24" x 1 3/8" rear wheel AIR; Left	€ 525,69
-	70080410	Drumbrake system including 24" x 1 3/8" rear wheel AIR; Right	€ 525,69
	90608500	Spoke protectors, 24"/22" transparant	€ 168,06
	90608510	Spoke protectors 22" transparant	€ 168,06

CE-D09 Spare parts list



Identification number: TCF-VOMNL - 0213-09H

Product group: Manual wheelchair

Productname: G-modular

Batchnumber:

Accessoires

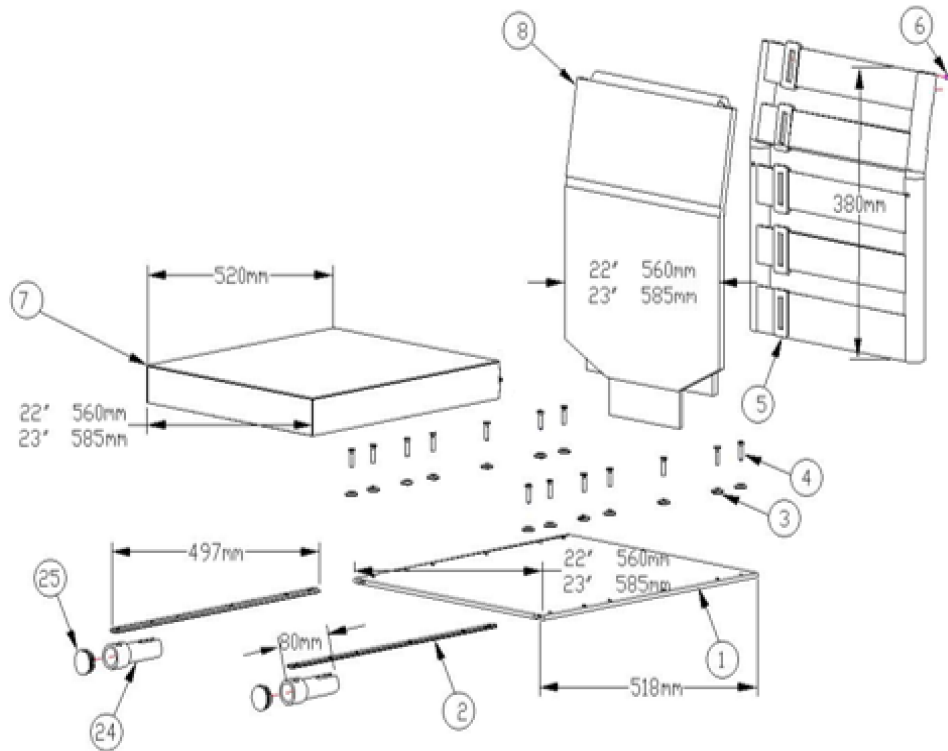
90280900	Seat fixationbelt (with hole)	€	62,51
90280975	Air pump	€	13,56
99015125	Work tray, table model incl. mounting material for sw 35,37,5 & 40 cm	€	455,82
99015130	Work tray, table model incl. mounting material for sw 42,5 & 45 cm	€	455,82
99015135	Work tray, table model incl. mounting material for sw 47,5 & 50 cm	€	455,82
99015140	Work tray, table model incl. mounting material for sw 55 & 60 cm	€	455,82
92130100	Tilting system (st of 2)	€	714,69
12411035	Tension Bar including fixation lever (orange) seat width 35 cm	€	94,07
12411040	Tension Bar including fixation lever (orange) seat width 40 cm	€	94,07
12411042	Tension Bar including fixation lever (orange) seat width 42,5 cm	€	94,07
12162045	Tension Bar including fixation lever (orange) seat width 45 cm	€	94,07
12162050	Tension Bar including fixation lever (orange) seat width 50 cm	€	94,07
12411055	Tension Bar including fixation lever (orange) seat width 55 cm	€	99,61
12411060	Tension Bar including fixation lever (orange) seat width 60 cm	€	99,61

CE-D09 Spare parts list



Identification number: TCF-VOMNL - 0213-09H
 Product group: Manual wheelchair
 Productname: G-modular
 Batchnumber:

Seat assembly



Seat assembly

Drawing No.	Item No.	Description	Purchase Price
1	52135035	Seat upholstery Nylon (3rd gen.), seat width 35 cm	€ 67,79
	52135037	Seat upholstery Nylon (3rd gen.), seat width 37,5 cm	€ 67,79
	52135040	Seat upholstery Nylon (3rd gen.), seat width 40 cm	€ 67,79
	52135042	Seat upholstery Nylon (3rd gen.), seat width 42,5 cm	€ 67,79
	52135048	Seat upholstery Nylon (3rd gen.), seat width 45 cm	€ 67,79
	52135043	Seat upholstery Nylon (3rd gen.), seat width 50 cm	€ 67,79
	52135055	Seat upholstery Nylon (3rd gen.), seat width 55 cm	€ 74,57
	2 to 4	-	Not available as spare part
5	52132135	Back upholstery tension straps, seat width 35-40 cm	€ 61,03
	52132142	Back upholstery tension straps, seat width 42,5- 50 cm	€ 61,03
	52132155	Back upholstery tension straps, seat width 55 cm	€ 61,03
8	52431335	Backrest pad cushion Nylon, seat width 35 cm	€ 70,55
	52431337	Backrest pad cushion Nylon, seat width 37,5 cm	€ 70,55
	52431340	Backrest pad cushion Nylon, seat width 40 cm	€ 80,24
	52431342	Backrest pad cushion Nylon, seat width 42,5 cm	€ 80,24
	52431345	Backrest pad cushion Nylon, seat width 45 cm	€ 80,24
	52431350	Backrest pad cushion Nylon, seat width 50 cm	€ 89,92
	52431355	Backrest pad cushion Nylon, seat width 55 cm	€ 89,92
	24 & 25	-	Not available as spare part

CE-D09 Spare parts list



Identification number: TCF-VOMNL - 0213-09H
 Product group: Manual wheelchair
 Productname: G-modular
 Batchnumber:

Seat cushions

Drawing No.	Item No.	Description	Purchase Price
7	50080435	Seat cushion with anti-slip side, sw 35 cm & sd 40 cm	€ 71,36
	50080437	Seat cushion with anti-slip side, sw 37,5 cm & sd 40 cm	€ 71,36
	50080438	Seat cushion with anti-slip side, sw 40 cm & sd 40 cm	€ 71,36
	50080440	Seat cushion with anti-slip side, sw 42,5 cm & sd 40 cm	€ 71,36
	50080442	Seat cushion with anti-slip side, sw 45 cm & sd 40 cm	€ 71,36
	50080445	Seat cushion with anti-slip side, sw 50 cm & sd 40 cm	€ 71,36
	50083542	Seat cushion with anti-slip side, sw 35 cm & sd 42,5 cm	€ 71,36
	50083742	Seat cushion with anti-slip side, sw 37,5 cm & sd 42,5 to 43 cm	€ 71,36
	50080439	Seat cushion with anti-slip side, sw 40 cm & sd 42,5 to 43 cm	€ 71,36
	50080441	Seat cushion with anti-slip side, sw 42,5 cm & sd 42,5 to 43 cm	€ 71,36
	50080444	Seat cushion with anti-slip side, sw 45 cm & sd 42,5 to 43 cm	€ 71,36
	50080449	Seat cushion with anti-slip side, sw 50 cm & sd 42,5 to 43 cm	€ 71,36
	50083545	Seat cushion with anti-slip side, sw 35 cm & sd 45 cm	€ 71,36
	50083745	Seat cushion with anti-slip side, sw 37,5 cm & sd 45 cm	€ 71,36
	50081439	Seat cushion with anti-slip side, sw 40 cm & sd 45 cm	€ 71,36
	50081441	Seat cushion with anti-slip side, sw 42,5 cm & sd 45 cm	€ 71,36
	50081444	Seat cushion with anti-slip side, sw 45 cm & sd 45 cm	€ 71,36
	50081449	Seat cushion with anti-slip side, sw 50 cm & sd 45 cm	€ 71,36
	50081455	Seat cushion with anti-slip side, sw 55 cm & sd 45 cm	€ 71,36
	50083547	Seat cushion with anti-slip side, sw 35 cm & sd 47,5 cm	€ 71,36
	50083747	Seat cushion with anti-slip side, sw 37,5 cm & sd 47,5 cm	€ 71,36
	50084047	Seat cushion with anti-slip side, sw 40 cm & sd 47,5 cm	€ 71,36
	50084247	Seat cushion with anti-slip side, sw 42,5 cm & sd 47,5 cm	€ 71,36
	50084547	Seat cushion with anti-slip side, sw 45 cm & sd 47,5 cm	€ 71,36
	50085047	Seat cushion with anti-slip side, sw 50 cm & sd 47,5 cm	€ 71,36
	50085547	Seat cushion with anti-slip side, sw 55 cm & sd 47,5 cm	€ 71,36
	50083550	Seat cushion with anti-slip side, sw 35 cm & sd 50 cm	€ 71,36
	50083750	Seat cushion with anti-slip side, sw 37,5 cm & sd 50 cm	€ 71,36
	50081450	Seat cushion with anti-slip side, sw 40 cm & sd 50 cm	€ 71,36
	50081440	Seat cushion with anti-slip side, sw 42,5 cm & sd 50 cm	€ 71,36
	50081442	Seat cushion with anti-slip side, sw 45 cm & sd 50 cm	€ 71,36
	50081445	Seat cushion with anti-slip side, sw 50 cm & sd 50 cm	€ 71,36
	50085550	Seat cushion with anti-slip side, sw 55 cm & sd 50 cm	€ 71,36
	50083552	Seat cushion with anti-slip side, sw 35 cm & sd 52,5 cm	€ 71,36

CE-D09 Spare parts list



Identification number: TCF-VOMNL - 0213-09H

Product group: Manual wheelchair

Productname: G-modular

Batchnumber:

Seat cushions

Drawing No.	Item No.	Description	Purchase Price
	50085550	Seat cushion with anti-slip side, sw 55 cm & sd 50 cm	€ 71,36
	50083552	Seat cushion with anti-slip side, sw 35 cm & sd 52,5 cm	€ 71,36
	50083752	Seat cushion with anti-slip side, sw 37,5 cm & sd 52,5 cm	€ 71,36
	50084052	Seat cushion with anti-slip side, sw 40 cm & sd 52,5 cm	€ 71,36
	50084252	Seat cushion with anti-slip side, sw 42,5 cm & sd 52,5 cm	€ 71,36
	50084552	Seat cushion with anti-slip side, sw 45 cm & sd 52,5 cm	€ 71,36
	50085052	Seat cushion with anti-slip side, sw 50 cm & sd 52,5 cm	€ 71,36
	50085552	Seat cushion with anti-slip side, sw 55 cm & sd 52,5 cm	€ 71,36
	50093540	Memory foam seating 35 cm x 40 cm	€ 65,64
	50093740	Memory foam seating 37,5 cm x 40 cm	€ 65,64
	50094040	Memory foam seating 40 cm x 40 cm	€ 65,64
	50094240	Memory foam seating 42½ cm x 40 cm	€ 65,64
	50094540	Memory foam seating 45 cm x 40 cm	€ 65,64
	50095040	Memory foam zitkussen 50 cm x 40 cm	€ 65,64
	50093542	Memory foam seating 35 cm x 42½ cm	€ 65,64
	50093742	Memory foam seating 37½ cm x 42½ cm	€ 65,64
	50094042	Memory foam seating 40 cm x 42½ cm	€ 65,64
	50094242	Memory foam seating 42½ cm x 42½ cm	€ 65,64
	50094542	Memory foam seating 45 cm x 42½ cm	€ 65,64
	50095042	Memory foam seating 50 cm x 42½ cm	€ 65,64
	50093545	Memory foam seating 35 cm x 45 cm	€ 65,64
	50093745	Memory foam seating 37½ cm x 45 cm	€ 65,64
	50094045	Memory foam seating 40 cm x 45 cm	€ 65,64
	50094245	Memory foam seating 42½ cm x 45 cm	€ 65,64
	50094545	Memory foam seating 45 cm x 45 cm	€ 65,64
	50095045	Memory foam seating 50 cm x 45 cm	€ 65,64
	50095545	Memory foam seating 55 cm x 45 cm	€ 65,64
	50093547	Memory foam seating 35 cm x 47½ cm	€ 65,64
	50093747	Memory foam seating 37½ cm x 47½ cm	€ 65,64
	50094047	Memory foam seating 40 cm x 47½ cm	€ 65,64
	50094247	Memory foam seating 42½ cm x 47½ cm	€ 65,64
	50094547	Memory foam seating 45 cm x 47½ cm	€ 65,64
	50095047	Memory foam seating 50 cm x 47½ cm	€ 65,64
	50095547	Memory foam seating 55 cm x 47½ cm	€ 65,64
	50093550	Memory foam seating 35 cm x 50 cm	€ 65,64
	50093750	Memory foam seating 37½ cm x 50 cm	€ 65,64
	50094050	Memory foam seating 40 cm x 50 cm	€ 65,64
	50094250	Memory foam seating 42½ cm x 50 cm	€ 65,64
	50094550	Memory foam seating 45 cm x 50 cm	€ 65,64
	50095050	Memory foam seating 50 cm x 50 cm	€ 65,64
	50095550	Memory foam seating 55 cm x 50 cm	€ 65,64
	50094052	Memory foam seating 40 cm x 52½ cm	€ 65,64
	50094252	Memory foam seating 42½ cm x 52½ cm	€ 65,64
	50094552	Memory foam seating 45 cm x 52½ cm	€ 65,64
	50095052	Memory foam seating 50 cm x 52½ cm	€ 65,64
	50095552	Memory foam seating 50 cm x 52½ cm	€ 65,64