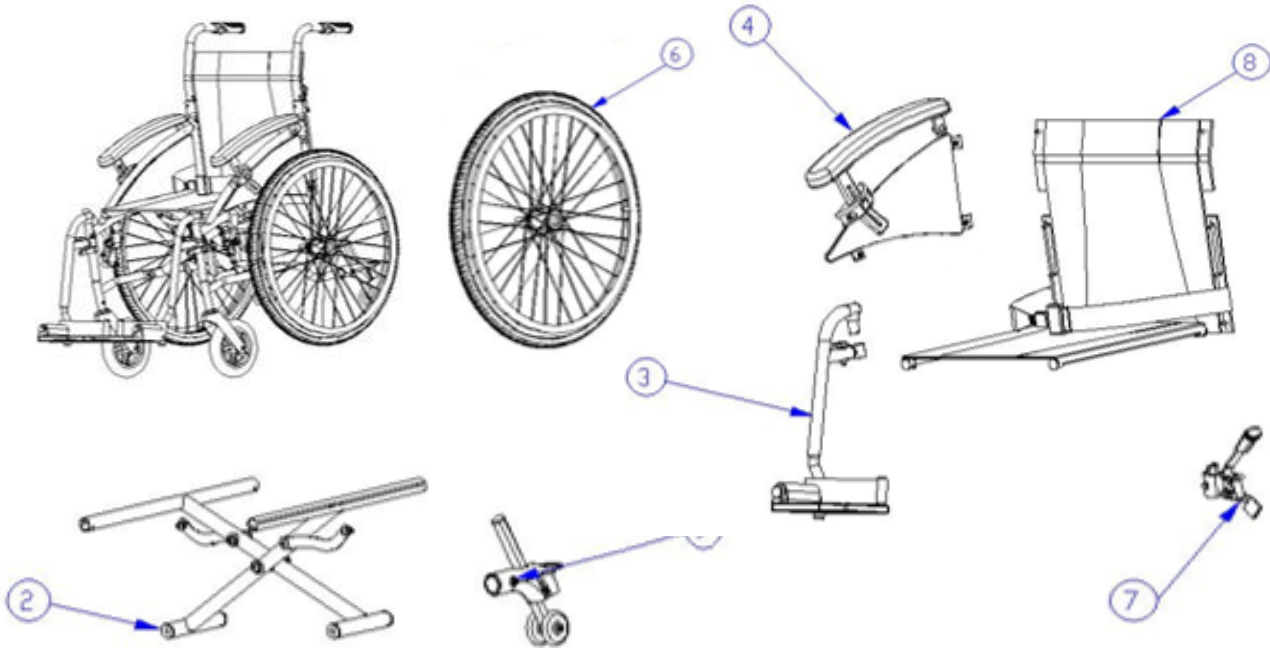


CE-D09 Spare parts list



Identification number: TCF-VOMNL- 0136-09K
 Product group: Manual wheelchair
 Productname: Travixx Comfort Lite+
 Batchnumber: 4371

Complete



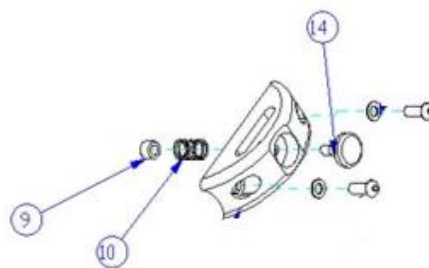
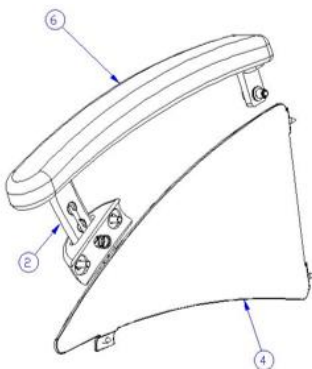
Drawing No.	Item No.	Description	Purchase Price
2	23377045	Cross bar complete incl. folding mechanism, seat width 45cm	€ 123,12
3	63376200	Footrest complete, seat width 40/50 cm Left (Black)	€ 103,76
	63376210	Footrest complete, seat width 40/50 cm Right (Black)	€ 103,76
4	31370000	Height ajustable armpad kit , Left	€ 123,12
	31370010	Height ajustable armpad kit , Right	€ 123,12
5	80080005	Front wheel, 7" x 1¼", complete with bearings, PU (BLACK)	€ 41,50
6	43381004	24" x 1½" rear wheel completely black PU (CFL)	€ 183,18
7	71370005	Brake complete, LEFT for Travixx Comfort Lite Plus	€ 28,95
	71370015	Brake complete, RIGHT for Travixx Comfort Lite Plus	€ 28,95
8	53385045	Seat and back upholstery 45 x 42 cm Blue, with Travixx logo	€ 81,38
	53383445	Seat and back upholstery 45 x 42 cm White, with Travixx logo	€ 81,38
9	92137012	Anti-tipper, set of 2 pieces	€ 118,53

CE-D09 Spare parts list



Identification number: TCF-VOMNL- 0136-09K
 Product group: Manual wheelchair
 Productname: Travixx Comfort Lite+
 Batchnumber: 4371

Armrest



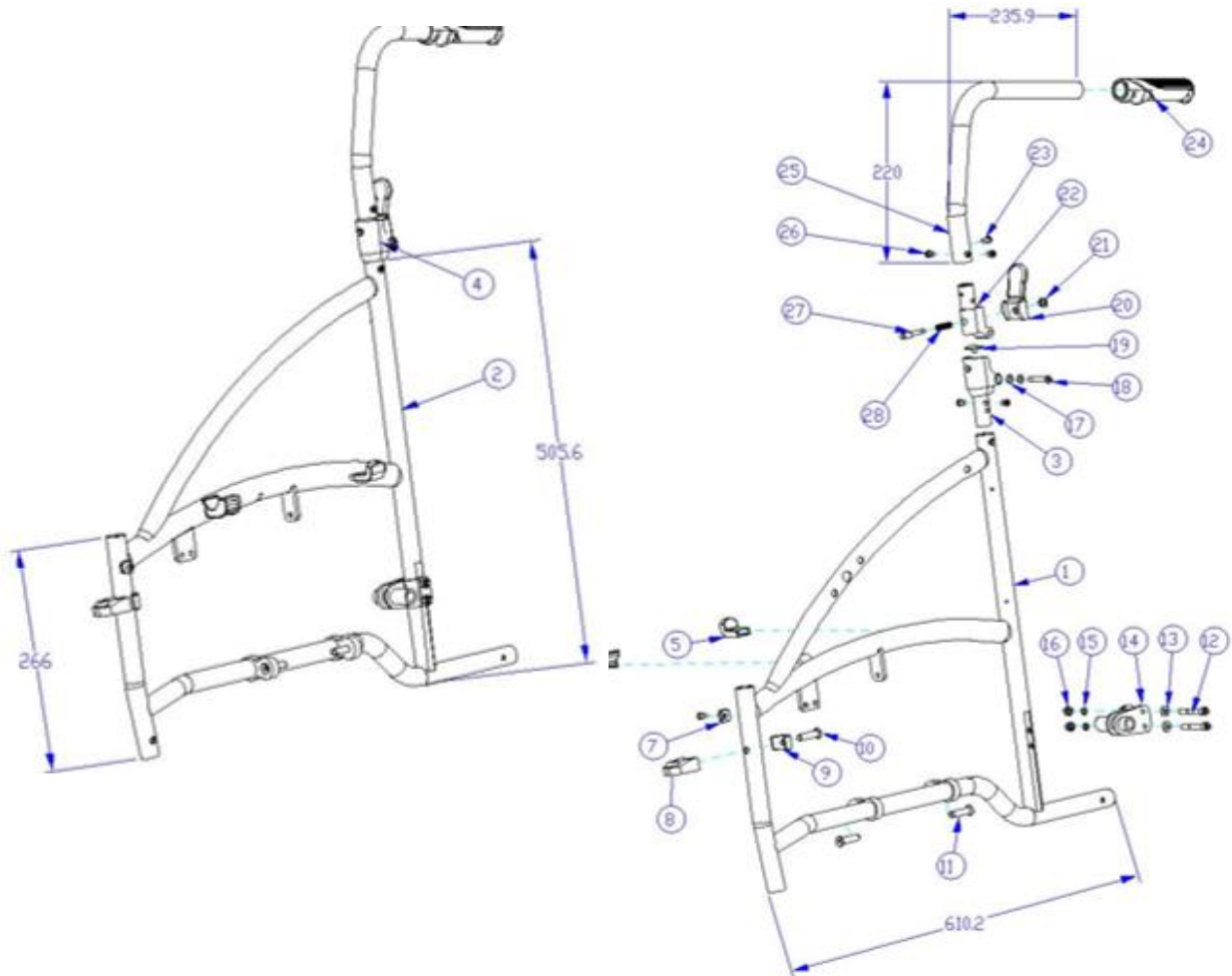
Drawing No.	Item No.	Description	Purchase Price
6 + 2	31370000	Armpad with height adjustable kit Left	€ 123,12
	31370010	Armpad with height adjustable kit Right	€ 123,12
4	AT484-10L	Sideplate armrest Left	€ 20,76
	AT484-10R	Sideplate armrest Right	€ 20,76
	31371005	Pushbutton + spring for armrest	€ 5,90
-	31371015	Height adjustable kit for armpad Left/Right	€ 26,89

CE-D09 Spare parts list



Identification number: TCF-VOMNL- 0136-09K
 Product group: Manual wheelchair
 Productname: Travixx Comfort Lite+
 Batchnumber: 4371

Side frame



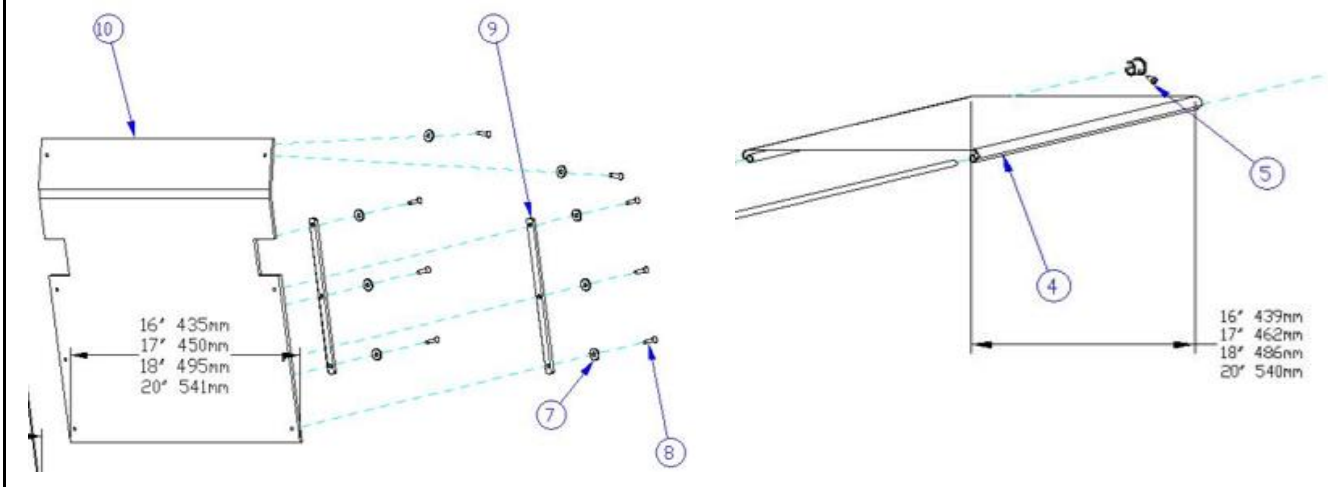
Drawing No.	Item No.	Description	Purchase Price
1 to 3	-	Not available as spare part	-
4	11371016	Fixationmechanism with lever for foldable backtube	€ 52,00
5 + 6	-	Not available as spare part	-
7 to 10	12362000	Footrest fixation block plastic	€ 13,80
11	-	Not available as spare part	-
12 to 16	13372011	Axel bracket, (sleeve/ring/nut)	€ 15,82
17 to 28	11371016	Fixationmechanism (SET) with lever for foldable backtube	€ 52,00
-	71370005	Brake, LEFT for Travixx Comfort Lite plus	€ 28,95
-	71370015	Brake, RIGHT for Travixx Comfort Lite plus	€ 28,95

CE-D09 Spare parts list



Identification number: TCF-VOMNL- 0136-09K
 Product group: Manual wheelchair
 Productname: Travixx Comfort Lite+
 Batchnumber: 4371

Seat & back



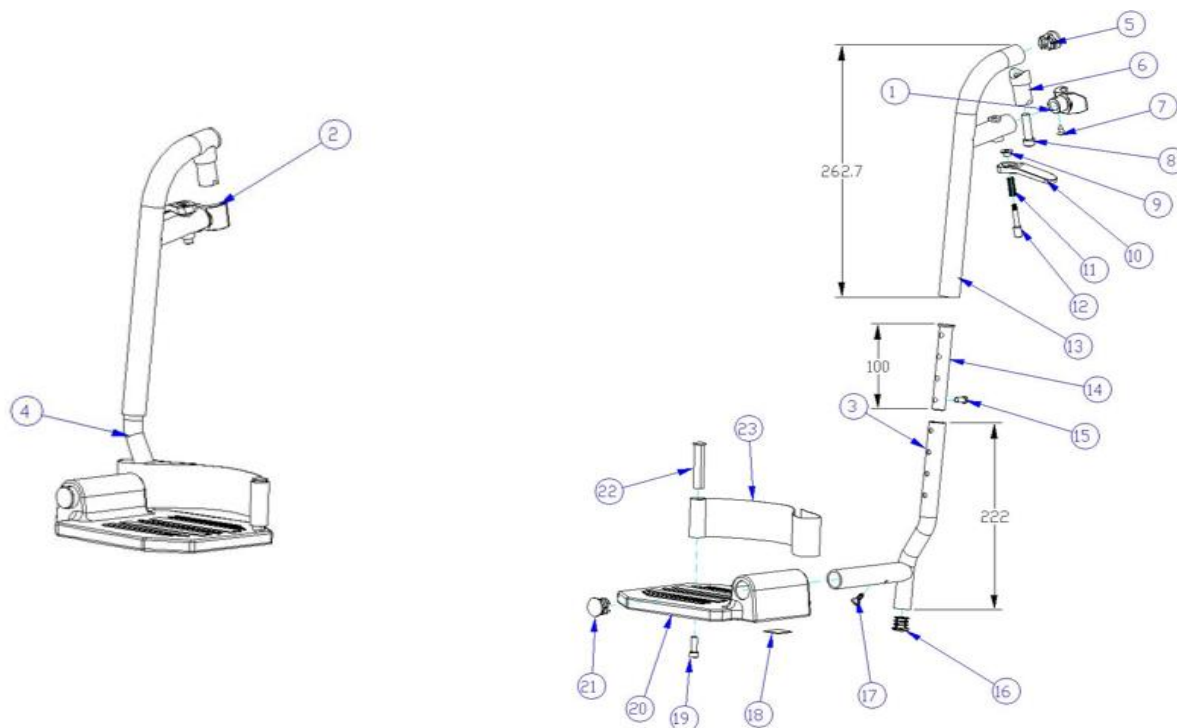
Drawing No.	Item No.	Description	Purchase Price
4	53371045	Seat canvas 45 cm	€ 51,75
5; 7 to 9	-	Not available as spare part	-
10	53372045	Back canvas 45 cm	€ 51,75

CE-D09 Spare parts list



Identification number: TCF-VOMNL- 0136-09K
 Product group: Manual wheelchair
 Productname: Travixx Comfort Lite+
 Batchnumber: 4371

Legrest



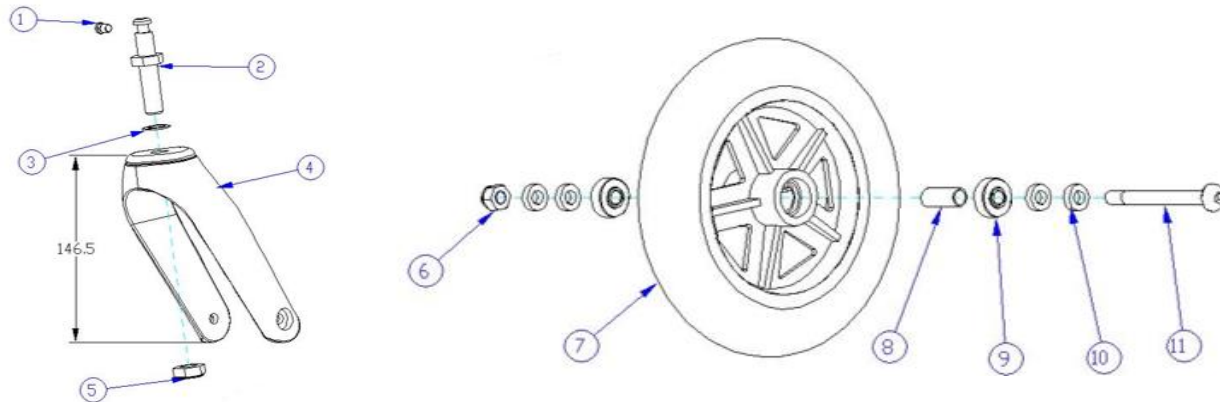
Drawing No.	Item No.	Description	Purchase Price
1 to 2; 5 to 12	61372200	Revision set for footrest Left	€ 44,96
	61372205	Revision set for footrest Right	€ 44,96
13	-	Not available as spare part	-
14 + 15	63375000	Spacer tube for adjusting under leg tube	€ 29,48
15	20032401	Countersunk Screw for legrest (set of 10)	€ 10,61
3;4; 16 to 23	63373240	Footplate with connection pipe Left	€ 81,62
	63373250	Footplate with connection pipe Right	€ 81,62
23	61374640	Heel loop, nylon complete with mounting material	€ 19,37

CE-D09 Spare parts list



Identification number: TCF-VOMNL- 0136-09K
 Product group: Manual wheelchair
 Productname: Travixx Comfort Lite+
 Batchnumber: 4371

Front fork + front wheel



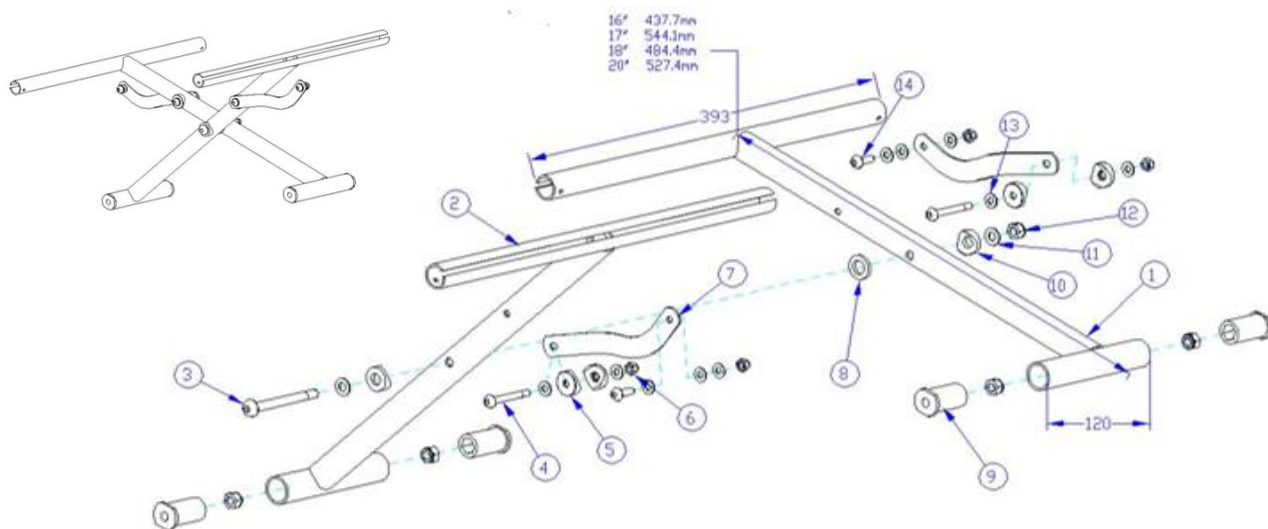
Drawing No.	Item No.	Description	Purchase Price
1 to 5	91370155	Front fork Left/Right for 7" front wheel	€ 34,52
6 to 11	80080005	Front wheel, 7" x 1¼", complete with bearings, PU (BLACK)	€ 41,50

CE-D09 Spare parts list



Identification number: TCF-VOMNL- 0136-09K
 Product group: Manual wheelchair
 Productname: Travixx Comfort Lite+
 Batchnumber: 4371

Cross frame



Drawing No.	Item No.	Description	Purchase Price
1 to 6	-	Not available as spare part	-
7 + 8	23371601	Folding mechanism black for cross bar, seat width 45 cm	€ 15,22
9	21370000	Spacer tube, nut, screw for crossframe (set of 4)	€ 40,69
10 to 14	-	Not available as spare part	-

Accessoires

Drawing No.	Item No.	Description	Purchase Price
-	90131010	Crutchholder with mounting material and 4 stauff blocks	€ 26,54