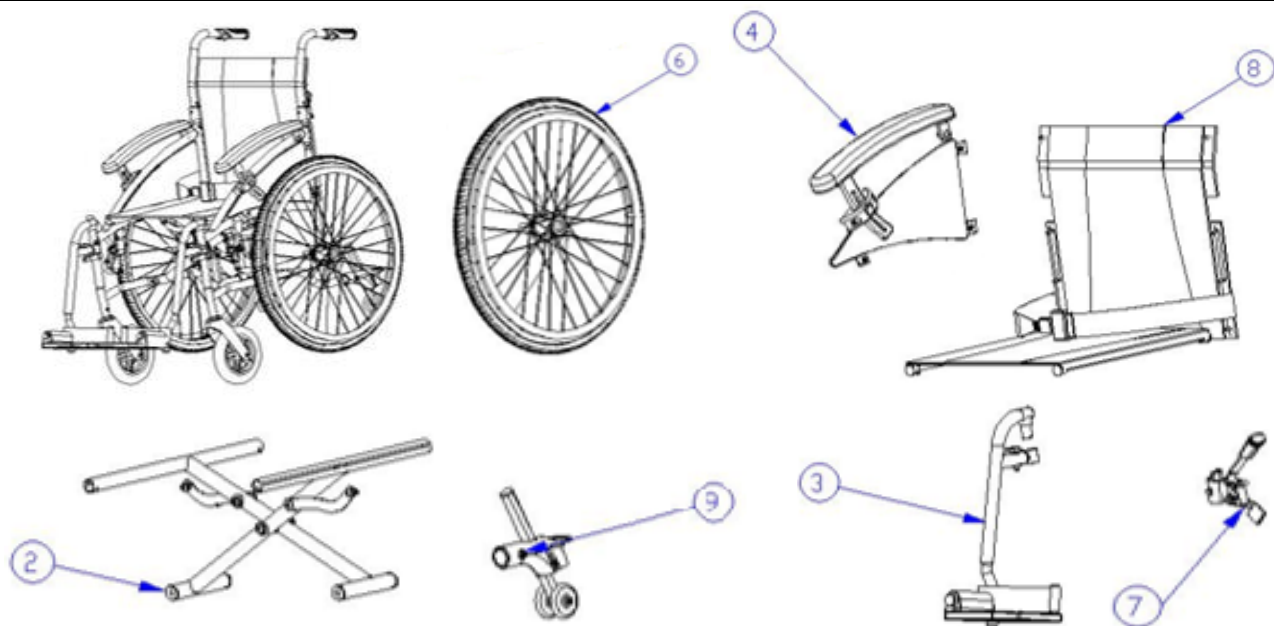


CE-D09 Spare parts list



Identification number: TCF-VOMNL- 0136-09I
 Product group: Manual wheelchair
 Productname: Travixx Lite
 Batchnumber: 4371

Complete



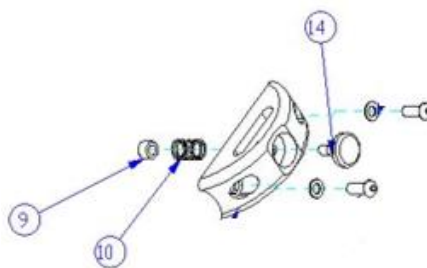
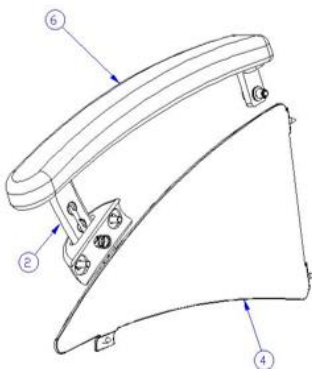
| Drawing No. | Item No. | Description | Purchase Price |
|-------------|----------|--|----------------|
| 2 | 23377045 | Cross bar complete incl. folding mechanism, seat width 45cm | € 123,12 |
| 3 | 63376200 | Footrest complete, seat width 40/50 cm Left (Black) | € 103,76 |
| | 63376210 | Footrest complete, seat width 40/50 cm Right (Black) | € 103,76 |
| 4 | 31370000 | Height ajustable armpad kit , Left | € 123,12 |
| | 31370010 | Height ajustable armpad kit , Right | € 123,12 |
| 5 | 80080005 | Front wheel, 7" x 1¼", complete with bearings, PU (BLACK) | € 41,50 |
| 6 | 43381004 | 24" x 1½" rear wheel completely black PU (CFL) | € 183,18 |
| 6-1 | 43381005 | Wheel hoop for 24" x 1½" rear wheel 43381004 | € 39,20 |
| 7 | 71370005 | Brake complete, LEFT for Travixx Comfort Lite Plus | € 28,95 |
| | 71370015 | Brake complete, RIGHT for Travixx Comfort Lite Plus | € 28,95 |
| 8 | 53385045 | Seat and back upholstery 45 x 42 cm Blue, with Travixx logo | € 81,38 |
| | 53383445 | Seat and back upholstery 45 x 42 cm White, with Travixx logo | € 81,38 |
| 9 | 92137012 | Anti-tipper, set of 2 pieces | € 118,53 |

CE-D09 Spare parts list



Identification number: TCF-VOMNL- 0136-09I
 Product group: Manual wheelchair
 Productname: Travixx Lite
 Batchnumber: 4371

Armrest



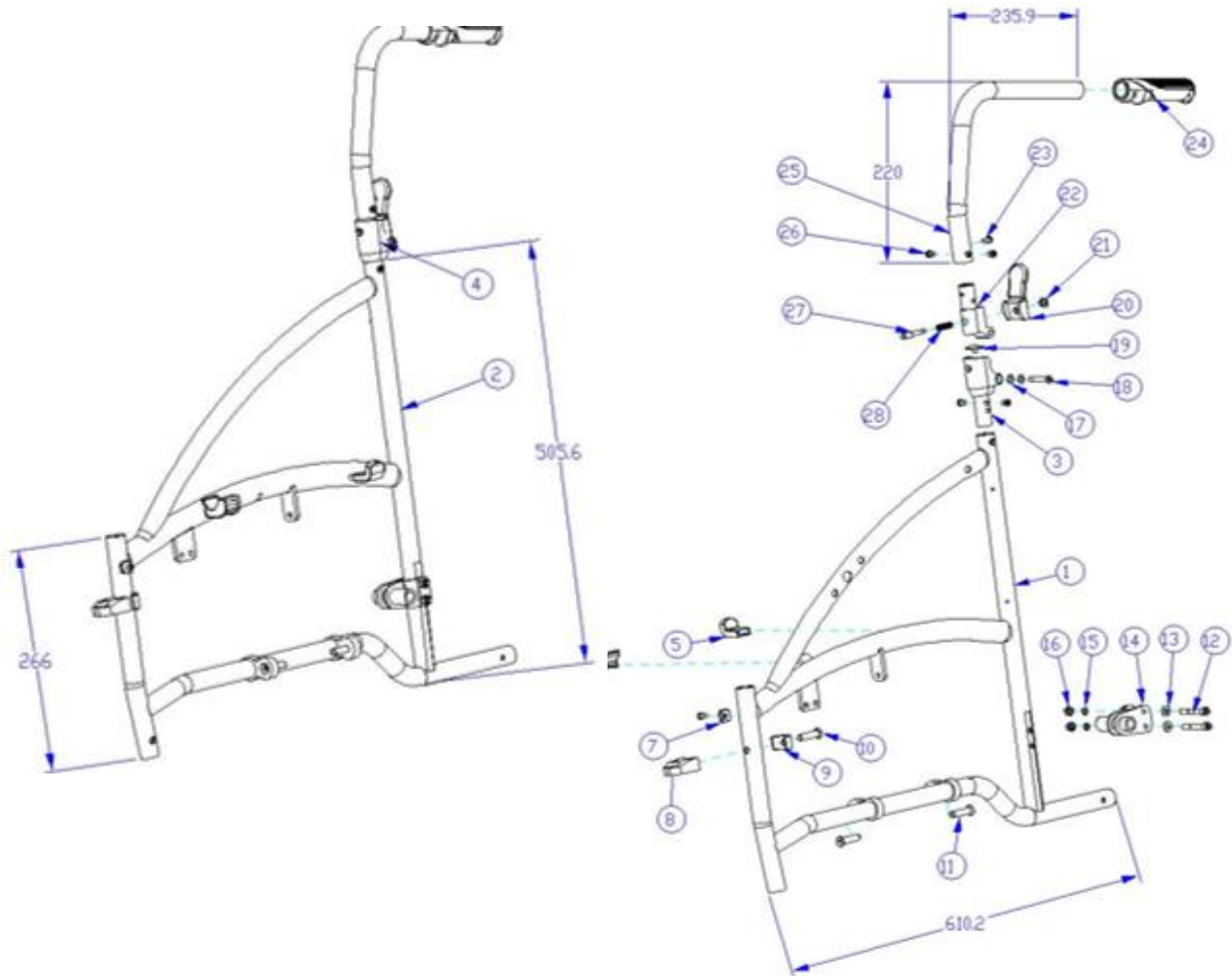
| Drawing No. | Item No. | Description | Purchase Price |
|-------------|-----------|---|----------------|
| 6 + 2 | 31370000 | Armpad with height adjustable kit Left | € 123,12 |
| | 31370010 | Armpad with height adjustable kit Right | € 123,12 |
| 4 | AT484-10L | Sideplate armrest Left | € 20,76 |
| | AT484-10R | Sideplate armrest Right | € 20,76 |
| | 31371005 | Pushbutton + spring for armrest | € 5,90 |
| - | 31371015 | Height adjustable kit for armpad Left/Right | € 26,89 |

CE-D09 Spare parts list



Identification number: TCF-VOMNL- 0136-09I
 Product group: Manual wheelchair
 Productname: Travixx Lite
 Batchnumber: 4371

Side frame



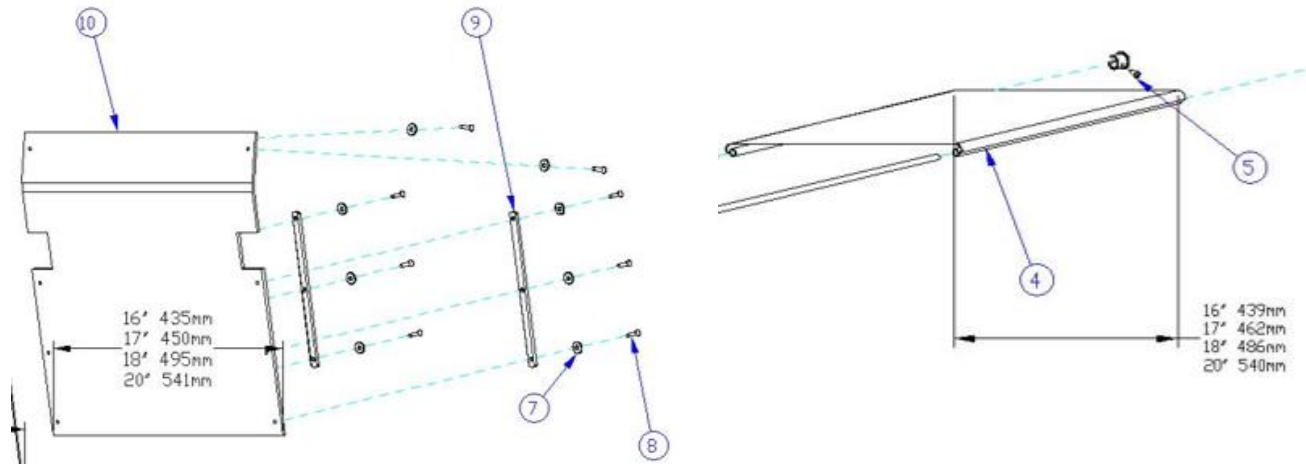
| Drawing No. | Item No. | Description | Purchase Price |
|-------------|----------|--|----------------|
| 1 to 3 | - | Not available as spare part | - |
| 4 | 11371016 | Fixationmechanism with lever for foldable backtube | € 52,00 |
| 5 + 6 | - | Not available as spare part | - |
| 7 to 10 | 12362000 | Footrest fixation block plastic | € 13,80 |
| 11 | - | Not available as spare part | - |
| 12 to 16 | 13372011 | Axel bracket, (sleeve/ring/nut) | € 15,82 |
| 17 to 28 | 11371016 | Fixationmechanism (SET) with lever for foldable backtube | € 52,00 |

CE-D09 Spare parts list



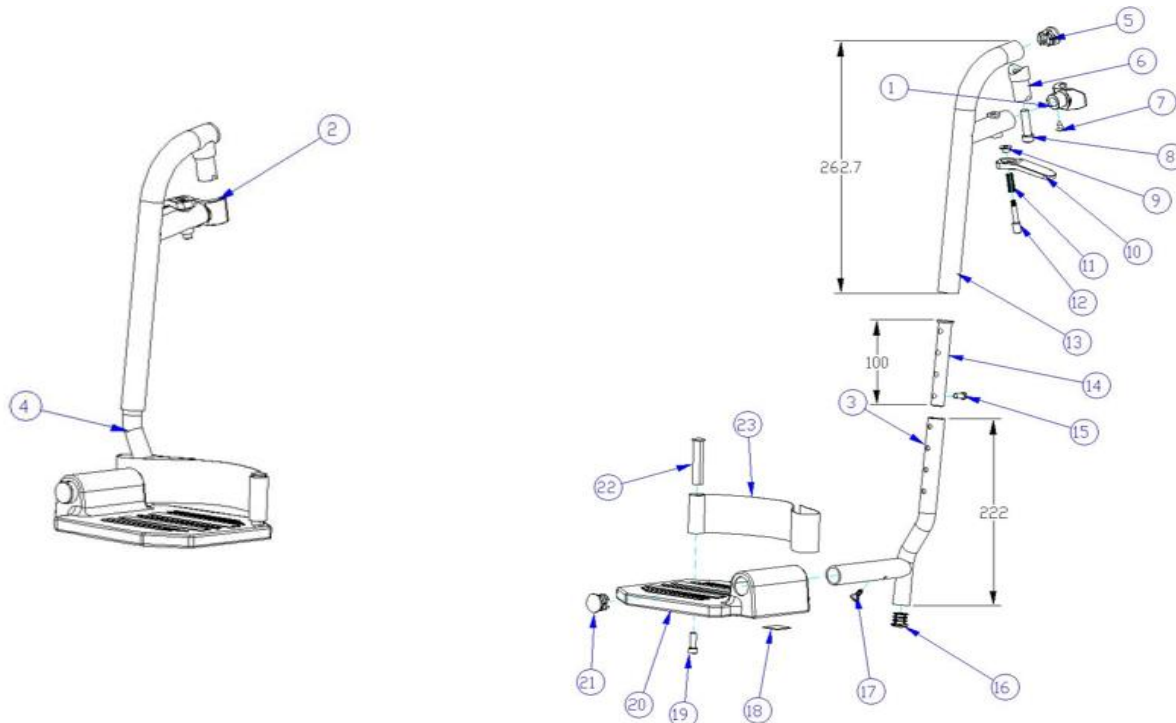
Identification number: TCF-VOMNL- 0136-09I
 Product group: Manual wheelchair
 Productname: Travixx Lite
 Batchnumber: 4371

Seat & back



| Drawing No. | Item No. | Description | Purchase Price |
|-------------|----------|-----------------------------|----------------|
| 4 | 53371045 | Seat canvas 45 cm | € 51,75 |
| 5; 7 to 9 | - | Not available as spare part | - |
| 10 | 53372045 | Back canvas 45 cm | € 51,75 |

Legrest



| Drawing No. | Item No. | Description | Purchase Price |
|-----------------|----------|---------------------------------|----------------|
| 1 to 2; 5 to 12 | 61372200 | Revision set for footrest Left | € 44,96 |
| | 61372205 | Revision set for footrest Right | € 44,96 |
| 13 | - | Not available as spare part | - |

CE-D09 Spare parts list



Identification number: TCF-VOMNL- 0136-09I
 Product group: Manual wheelchair
 Productname: Travixx Lite
 Batchnumber: 4371

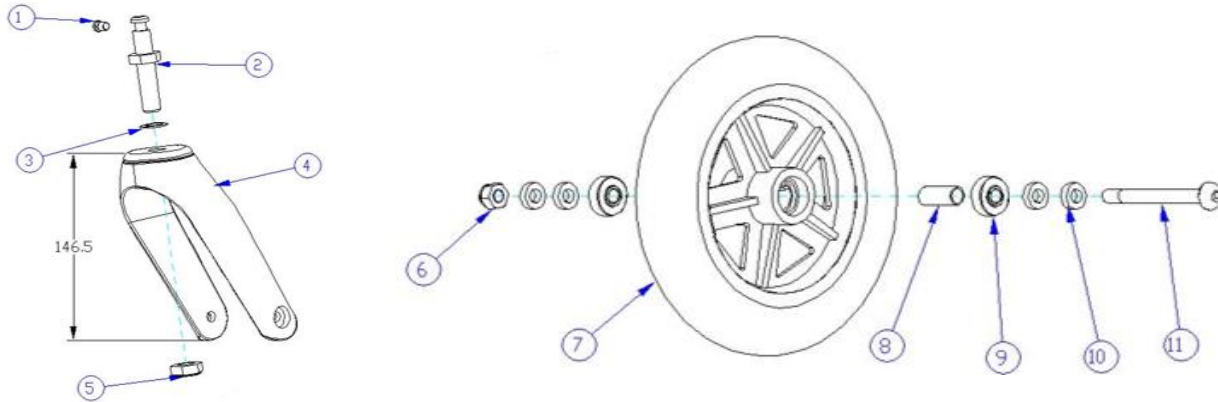
| | | | | |
|---------------|----------|--|---|-------|
| 14 + 15 | 63375000 | Spacer tube for adjusting under leg tube | € | 29,48 |
| 15 | 20032401 | Countersunk Screw for legrest (set of 10) | € | 10,61 |
| 3;4; 16 to 23 | 63373240 | Footplate with connection pipe Left | € | 81,62 |
| | 63373250 | Footplate with connection pipe Right | € | 81,62 |
| 23 | 61374640 | Heel loop, nylon complete with mounting material | € | 19,37 |

CE-D09 Spare parts list



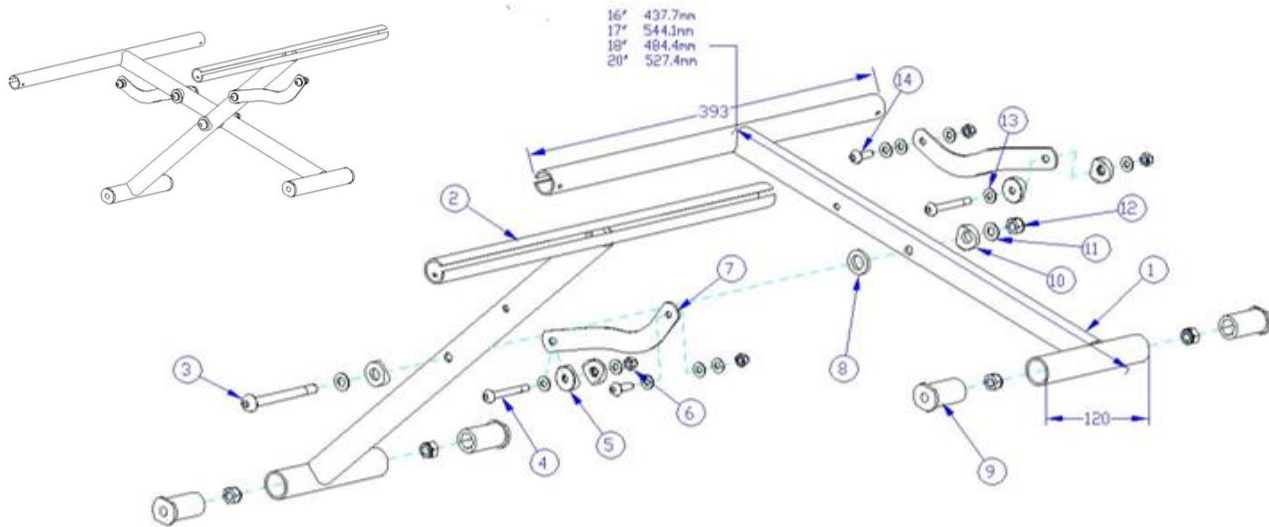
Identification number: TCF-VOMNL- 0136-09I
 Product group: Manual wheelchair
 Productname: Travixx Lite
 Batchnumber: 4371

Front fork + front wheel



| Drawing No. | Item No. | Description | Purchase Price |
|-------------|----------|---|----------------|
| 1 to 5 | 91370155 | Front fork Left/Right for 7" front wheel | € 34,52 |
| 6 to 11 | 80080005 | Front wheel, 7" x 1¼", complete with bearings, PU (BLACK) | € 41,50 |

Cross frame



| Drawing No. | Item No. | Description | Purchase Price |
|-------------|----------|---|----------------|
| 1 to 6 | - | Not available as spare part | - |
| 7 + 8 | 23371601 | Folding mechanism black for cross bar, seat width 45 cm | € 15,22 |
| 9 | 21370000 | Spacer tube, nut, screw for crossframe (set of 4) | € 40,69 |
| 10 to 14 | - | Not available as spare part | - |

Accessoires

| Drawing No. | Item No. | Description | Purchase Price |
|-------------|----------|---|----------------|
| - | 90131010 | Crutchholder with mounting material and 4 stauff blocks | € 26,54 |