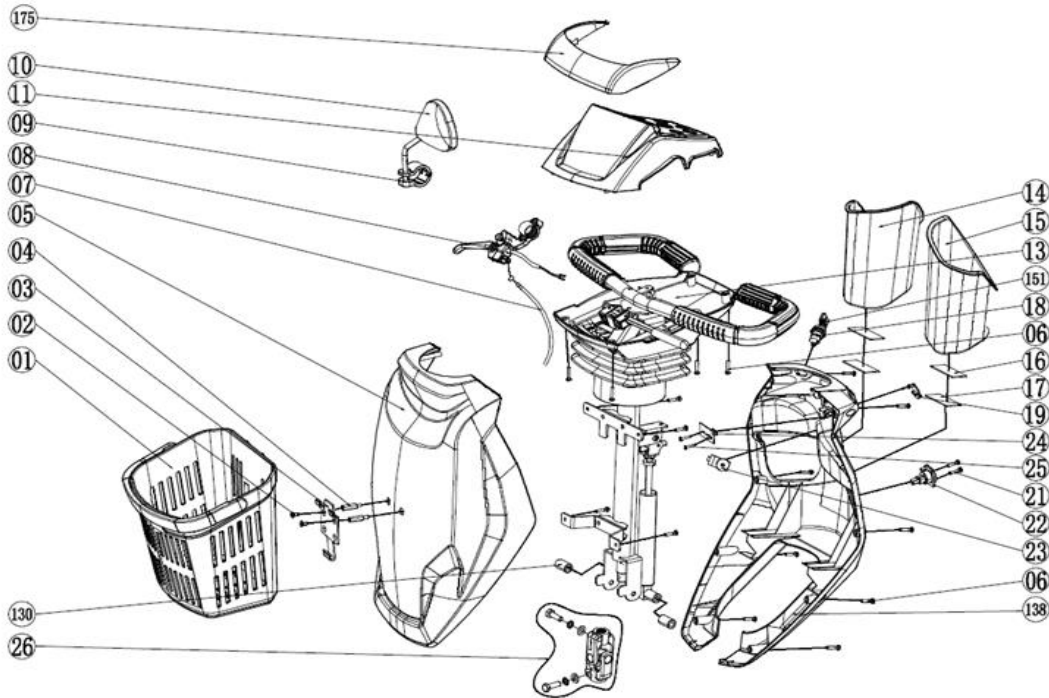


CE-D09 Spare parts list



Identification number: TCF-VOMNL - 6060-21A
 Product group: Mobility Scooter
 Productname: Mio II
 Batchnumber: from batch 5670

Tiller



Drawing No.	Item No.	Description	Purchase Price
1	SE08E508AK0	Basket with handle	€ 49,53
3	SB03P119HG0	Mounting bracket for front basket	€ 4,37
4	SF03P258AG0	Spacing column	€ 2,18
5	SJ07P505B34	Tiller front cover(Blue 288C, Matt)	€ 106,14
	SJ07P505B13	Tiller front cover(Grey YS2104, Matt)	€ 106,14
7	SF03A225C00	Cable for manual brake	€ 13,10
8	ZA15E201BK0	Manual brake handle assembly with braking light switch	€ 40,10
9	SE07E505AK0	Mirror mounting bracket	€ 2,25
10	06030100	Rear mirror set	€ 36,56
13	-	Not available as spare part	-
13-1	SJ07P503A3A	Dashboard lower cover	€ 17,28
13-2	SJ07P504B3A	Dashboard boot	€ 19,66
13-3	SJ07A209A3A	Tiller delta handle	€ 58,97
13-4	SF06P536A3A	Round tube plug	€ 2,18
13-5	SJ07A216CK0	Tiller shock	€ 69,89
13-6	SJ07A107A00	Cable for tiller shock	€ 6,55
13-7	3090432090	Cup bearing set	€ 30,33
13-8	SJ07P162B00	Dashboard angle-adjustable handle cover(Red)	€ 4,37
14	SJ07P507A3A	Cup holder(R)	€ 8,74
15	SJ07P506A3A	Cup holder(L)	€ 8,74
18	SF03F611AK0	Key switch	€ 30,66
22	SF06F613CK0	Charging port on the tiller	€ 13,10
23-24	-	Not available as spare part	-
26	SJ07A221A00	Universal joint	€ 48,05

CE-D09 Spare parts list



Identification number: TCF-VOMNL - 6060-21A
Product group: Mobility Scooter
Productname: Mio II
Batchnumber: from batch 5670

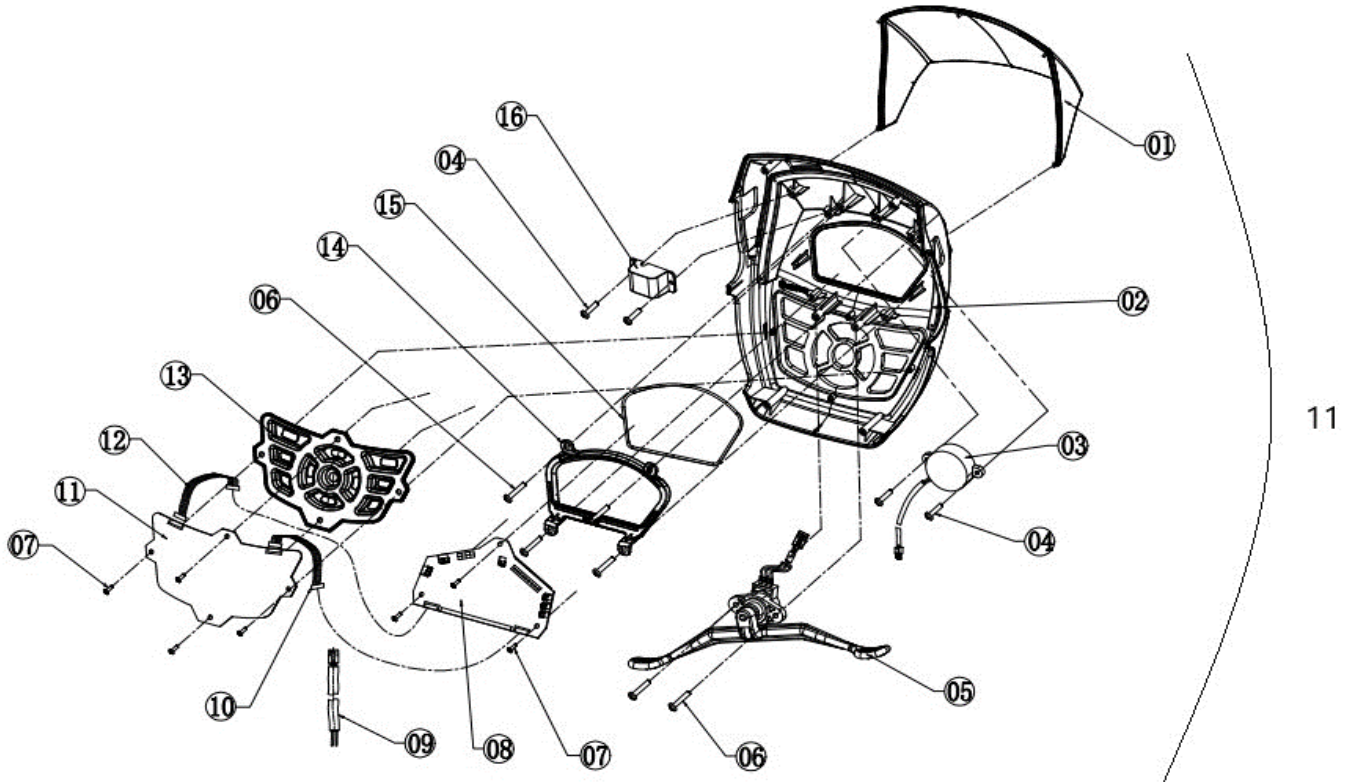
130	-	Not available as spare part	-
138	SJ07P508B3A	Tiller rear cover only	€ 42,46
151	99311060	Key (set)	€ 6,78
175	SH05P542A34	Dashboard snap-on cover(Blue 288C,Matt)	€ 37,74
	SH05P542A13	Dashboard snap-on cover(Grey 2104, Matt)	€ 37,74

CE-D09 Spare parts list



Identification number: TCF-VOMNL - 6060-21A
 Product group: Mobility Scooter
 Productname: Mio II
 Batchnumber: from batch 5670

Dashboard assembly



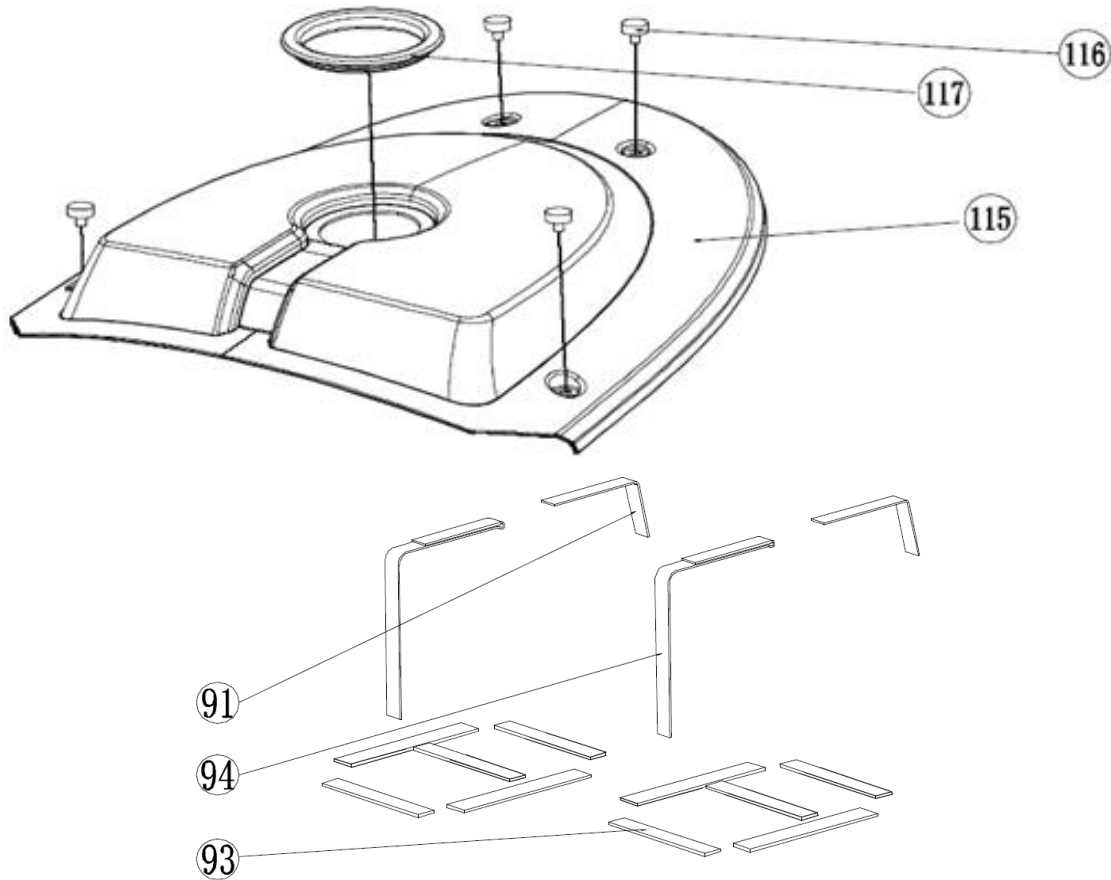
Drawing No.	Item No.	Description	Purchase Price
11	SL05F612AK0	Dashboard assembly(LCD)	€ 584,96
11-1	SH05H601BN9	Keyboard PCB	€ 80,20
11-2 + 11-4 + 11-13	SF06P567AP2	Soft keyboard	€ 25,95
11-3	SH05F606AK0	Horn assembly in the tiller	€ 10,92
11-4	SF06F609AK0	Speed controll paddle assembly with potentiometer	€ 87,27
11-5 + 11-16	SK09F614AK0	Turning speed-down sensor assembly	€ 40,10
11-6	-	Temperature sensor with wire	-
11-7 + 11-8	SL05H603AN9	LCD screen&PCB assembly	€ 311,35

CE-D09 Spare parts list



Identification number: TCF-VOMNL - 6060-21A
 Product group: Mobility Scooter
 Productname: Mio II
 Batchnumber: from batch 5670

Battery cover



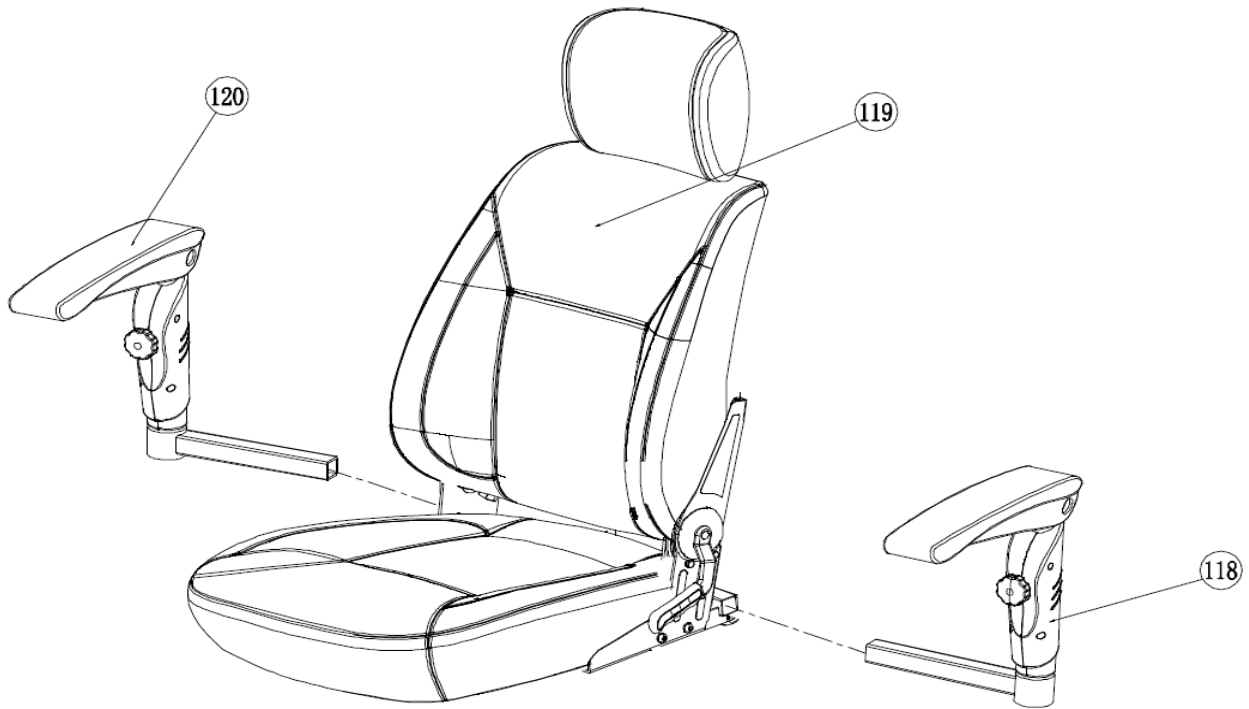
Drawing No.	Item No.	Description	Purchase Price
115	SF03P518A34	Battery top cover(Blue 288C,Matt)	€ 228,80
115	SF03P518A13	Battery top cover(Grey YS2104, Matt)	€ 228,80
116-117	-	Not available as spare part	-
91-94	-	Not available as spare part	-

CE-D09 Spare parts list



Identification number: TCF-VOMNL - 6060-21A
 Product group: Mobility Scooter
 Productname: Mio II
 Batchnumber: from batch 5670

Seat



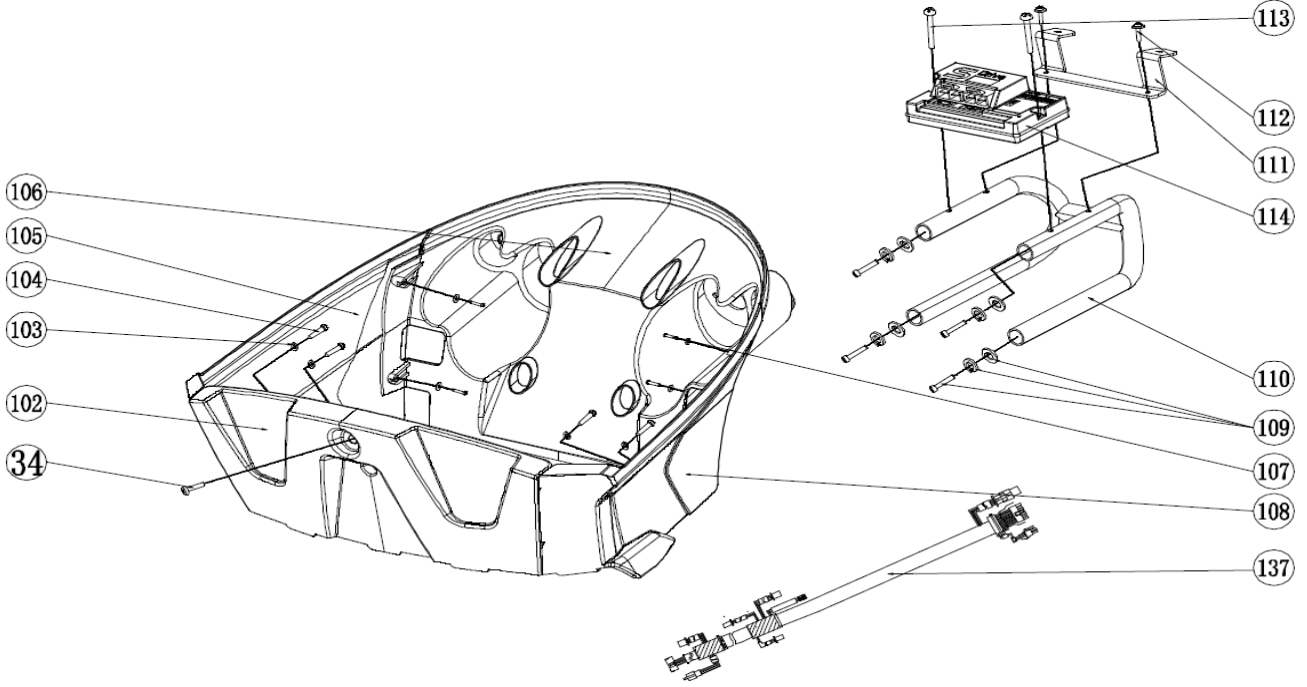
Drawing No.	Item No.	Description	Purchase Price
118	WC09E403DK0	Arm assembly(L)	€ 113,22
118-1	WC09A409CA1	Arm pad(L/R)	€ 47,17
119	WS45E003AK1-00	Seat assembly with swivel plate&slides	€ 617,99
120	SF03E402AK0	Arm assembly(R)	€ 113,22

CE-D09 Spare parts list



Identification number: TCF-VOMNL - 6060-21A
 Product group: Mobility Scooter
 Productname: Mio II
 Batchnumber: from batch 5670

Controller + Battery Cover



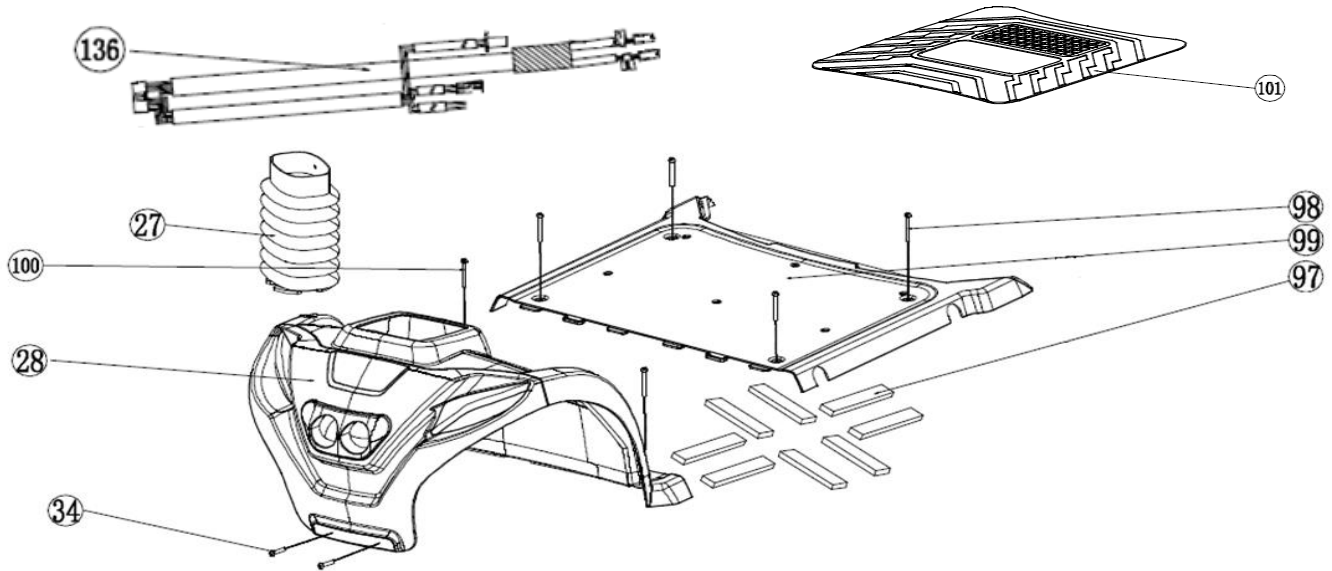
Drawing No.	Item No.	Description	Purchase Price
34	-	Not available as spare part	-
102	SF03P515B3A	Battery front cover	€ 14,15
103-104	-	Not available as spare part	-
105	SF03P516A3A	Battery side cover(R)	€ 14,15
106-107, 109	-	Not available as spare part	-
108	SF03P517A3A	Battery side cover(L)	€ 14,15
110	SF03A105A1F	Rear handle(Silver)	€ 43,68
111-113	-	Not available as spare part	-
114	3051600200	Controller(PG S-140A)	€ 511,84
137	SL06F608AK0	Main harness assembly	€ 104,83

CE-D09 Spare parts list



Identification number: TCF-VOMNL - 6060-21A
 Product group: Mobility Scooter
 Productname: Mio II
 Batchnumber: from batch 5670

Front cover + Floor mat



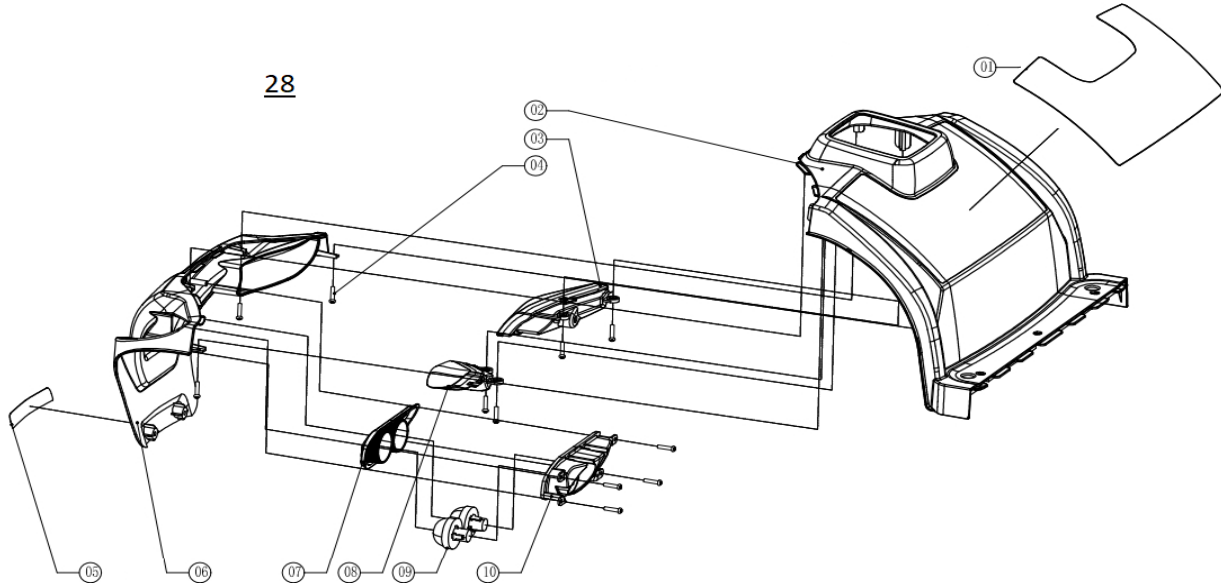
Drawing No.	Item No.	Description	Purchase Price
27	SJ07P509A3A	Tiller boot	€ 28,31
28	-	Next page	-
34; 97-98	-	Not available as spare part	-
99	SF03P513B34	Center deck(Blue 288C,Matt)	€ 103,78
	SF03P513B13	Center deck(Grey YS2104, Matt)	€ 103,78
100	-	Not available as spare part	-
101	SJ04P529A8A	Floor mat	€ 47,17
136	SL05F602AK0	Harness assembly for turning lights	€ 82,56

CE-D09 Spare parts list



Identification number: TCF-VOMNL - 6060-21A
 Product group: Mobility Scooter
 Productname: Mio II
 Batchnumber: from batch 5670

Front cover



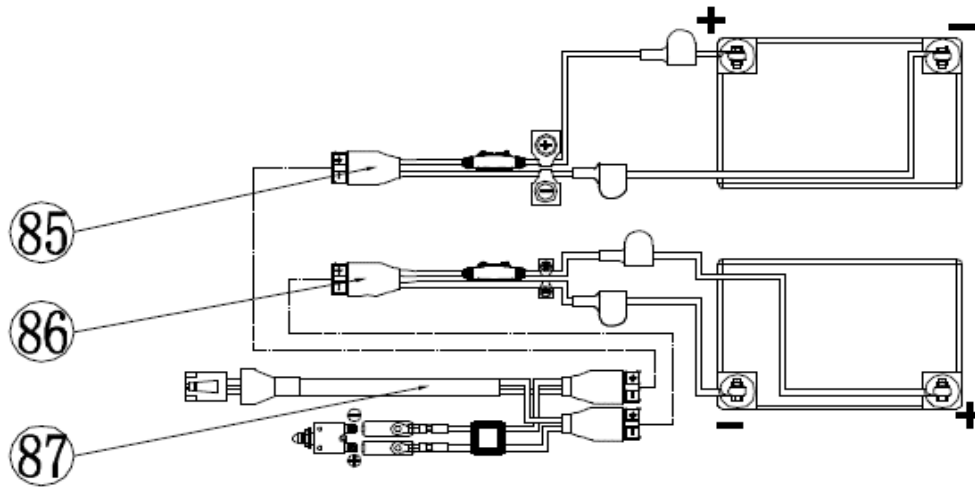
Drawing No.	Item No.	Description	Purchase Price
1	SL05P501A3A	Front deck	€ 66,00
28-1	SJ07P510A34	Front face cover only(to hold headlights)(Blue 288C,Matt)	€ 77,84
28-1	SJ07P510A13	Front face cover only(to hold headlights)(Grey YS2104,Matt)	€ 77,84
28-2	SJ07P802A2P	Front reflector sticker(White)	€ 2,36
28-3	SF03F603AK0	Headlight assembly	€ 58,97
28-4	SJ07P512AG1	Headlight reflecting base(Silver)	€ 14,15
28-5	SJ07P511A4P	Headlight cover(Transparent)	€ 7,07
28-6	305301213Y	Turning light assembly(FL)	€ 80,20
28-7	305301214Y	Turning light assembly(FR)	€ 80,20
28-8	-	Not available as spare part	-
28-9	SJ07P801A2M	Anti-skid sticker on the front deck	€ 9,44
28-10	-	Not available as spare part	-

CE-D09 Spare parts list



Identification number: TCF-VOMNL - 6060-21A
 Product group: Mobility Scooter
 Productname: Mio II
 Batchnumber: from batch 5670

Battery cable



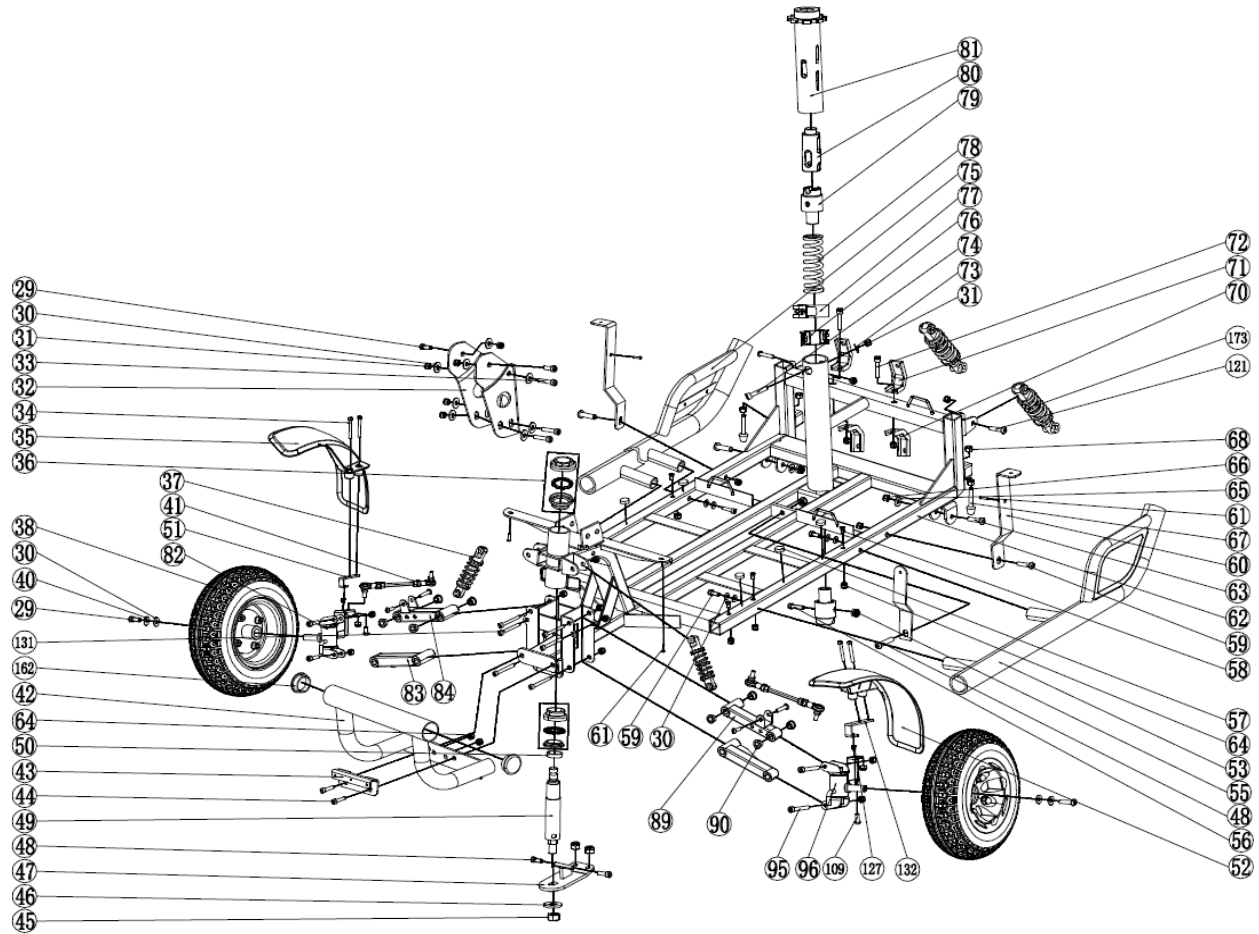
Drawing No.	Item No.	Description	Purchase Price
85	SF03F616AK0	Battery cable II	€ 75,48
86	SF03F615AK0	Battery cable I	€ 75,48
87	SF06F623AK0	Circuit breaker assembly with wire & connectors	€ 219,36

CE-D09 Spare parts list



Identification number: TCF-VOMNL - 6060-21A
 Product group: Mobility Scooter
 Productname: Mio II
 Batchnumber: from batch 5670

Front frame



Drawing No.	Item No.	Description	Purchase Price
29-34	-	Not available as spare part	-
35	SL05P512A34	Front fender(R)(Blue 288C,Matt)	€ 44,82
	SL05P512A13	Front fender(R)(Grey YS2104, Matt)	€ 44,82
36	3090432080	Cup bearing set	€ 11,77
37	SK05A108A00	Front suspension	€ 23,59
38	SF06E206AK0	Front wheel assembly(air,13")	€ 251,16
38-1	SH05P217AB4	Outer tire for 13"	€ 68,40
38-2	SH05P218AB4	Inner tube for 13"	€ 40,10
40	-	Not available as spare part	-
41	SJ07E207AK0	Tie rod assembly(L/R)	€ 40,10
42	SL05A103B1F	Front bumper	€ 31,45
43-46	-	Not available as spare part	-
47	SJ07A205AG0	Steering plate	€ 14,15
48	-	Not available as spare part	-
49	SJ07A219AG0	Steering tube	€ 33,02
50-51	-	Not available as spare part	-

CE-D09 Spare parts list



Identification number: TCF-VOMNL - 6060-21A

Product group: Mobility Scooter

Productname: Mio II

Batchnumber: from batch 5670

52	SL05P511A34	Front fender(L)(Blue 288C,Matt)	€ 44,82
	SL05P511A13	Front fender(L)(Grey YS2104,Matt)	€ 44,82
53	SF03E107BK0	Side bumper(L)	€ 58,97

CE-D09 Spare parts list



Identification number: TCF-VOMNL - 6060-21A

Product group: Mobility Scooter

Productname: Mio II

Batchnumber: from batch 5670

Front frame

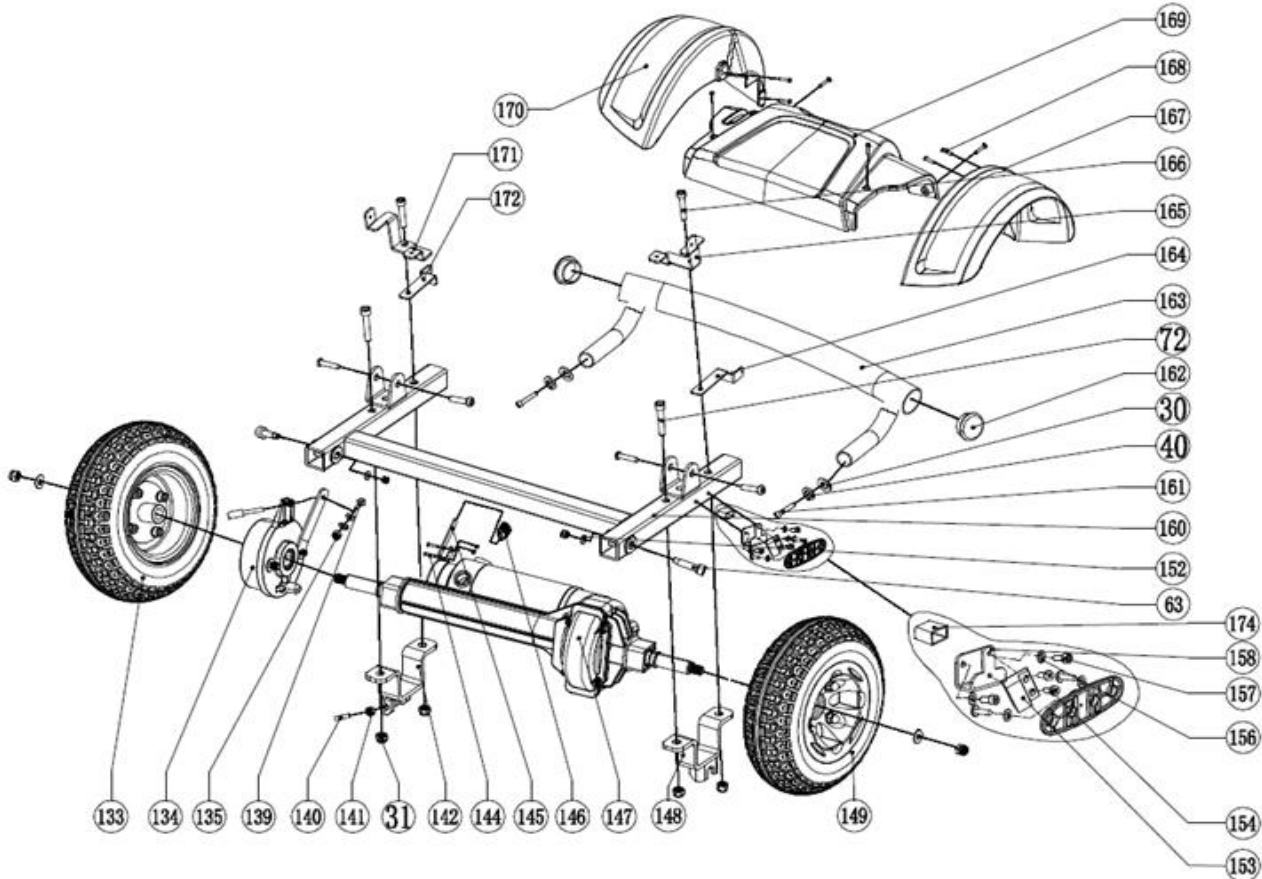
Drawing No.	Item No.	Description	Purchase Price
55-68;70-74	-	Not available as spare part	-
75	SF03E108BK0	Side bumper(R)	€ 58,97
76	-	Not available as spare part	-
77	SJ07A108AK0	Seat pedestal tube fastener	€ 13,10
78	SJ07P402CG0	Seat post spring	€ 16,00
79-80	-	Not available as spare part	-
81	SJ07A404AD3	Seat post assembly	€ 45,86
82	SF03E207BK0	Steering arm spindle assembly(R)	€ 54,25
83-84, 89-90;95	-	Not available as spare part	-
96	SF03E206BK0	Steering arm spindle assembly(L)	€ 54,25
109;121;127	-	Not available as spare part	-
131-132	-	Not available as spare part	-
162	WE03P512B3A	Round tube plug	€ 2,36
173	SG03A117A00	Rear suspension	€ 18,87

CE-D09 Spare parts list



Identification number: TCF-VOMNL - 6060-21A
 Product group: Mobility Scooter
 Productname: Mio II
 Batchnumber: from batch 5670

Rear frame



Drawing No.	Item No.	Description	Purchase Price
30-31;40;63;72	-	Not available as spare part	-
133	SF06E208AK0	Rear wheel assembly(air,13")(R)	€ 246,79
133-1	SH05P217AB4	Outer tire for 13"	€ 68,40
133-2	SH05P218AB4	Inner tube for 13"	€ 40,10
133-3	SF03A221DGO	Rear hub(L/R)	€ 25,95
134	ZA15E104BK0	Drum brake assembly	€ 115,58
135;139-141,14	-	Not available as spare part	-
142	SF06A110AGO	Transaxle mounting bracket(R)	€ 8,74
145	SK08P131AGO	EM brake extension handle	€ 4,72
146	WE03P510B4B	EM Brake handle cover(Yellow)	€ 2,35
147	RA12E109AK0	Transaxle assembly with motor and brake(800W:ZE-5895D24 19.75:1 6NM)	€ 990,66
147-1	RA12A105AK0	Transaxle only(19.75:1)	€ 464,67
147-2	RA12A304BK0	Motor only(ZE-5895D24:800W)(4 poles)	€ 323,48
147-2-1	3051500100	Motor brush(ZE-5895D24:800W)	€ 17,97
147-2-2	3051500140	Motor brush cap(ZE-5290/5895D24)	€ 4,49

CE-D09 Spare parts list



Identification number: TCF-VOMNL - 6060-21A
 Product group: Mobility Scooter
 Productname: Mio II
 Batchnumber: from batch 5670

Rear frame

Drawing No.	Item No.	Description	Purchase Price
147-3	RA05A304CK0	EM brake only(24V 6NM)	€ 121,31
147-4	RA05P137AG0	EM brake cover	€ 8,99
147-5	RA05P115B3A	Coupling for transaxle	€ 7,07
148	SF06A109AG0	Transaxle mounting bracket(L)	€ 8,74
149	SF06E207AK0	Rear wheel assembly(air,13")(L) with speed sensing magnet	€ 271,25
149-1	SH05P217AB4	Outer tire for 13"	€ 68,40
149-2	SH05P218AB4	Inner tube for 13"	€ 40,10
149-3	SF03A221DG0	Rear hub(L/R)	€ 25,95
152	-	Not available as spare part	-
153	SK09F608AK0	Speed sensor assembly with wire and connector	€ 54,25
154,156-158	-	Not available as spare part	-
160-161	-	Not available as spare part	-
162	WE03P512B3A	Round tube plug	€ 2,36
163	SL05A107A1F	Rear bumper	€ 56,78
164-166	-	Not available as spare part	-
167	SF03P525A34	Rear fender cover(L)(Blue 288C,Matt)	€ 49,55
167	SF03P525A13	Rear fender cover(L)(Grey YS2104, Matt)	€ 49,53
168	-	Not available as spare part	-
169	SF03P527A3A	Rear drivetrain cover	€ 37,74
170	SF03P526A34	Rear fender cover(R)(Blue 288C,Matt)	€ 49,53
170	SF03P526A13	Rear fender cover(R)(Grey YS2104, Matt)	€ 49,53
171, 172	-	Not available as spare part	-
173	SG03A117A00	Rear suspension	€ 18,87
174	-	Not available as spare part	-