

CE-D09 Spare parts list



Identification number: TCF-VOMNL - 0956-22
Product group: Electric wheelchair
Productname: Excel X50R+
Batchnumber: 6581

Main photo

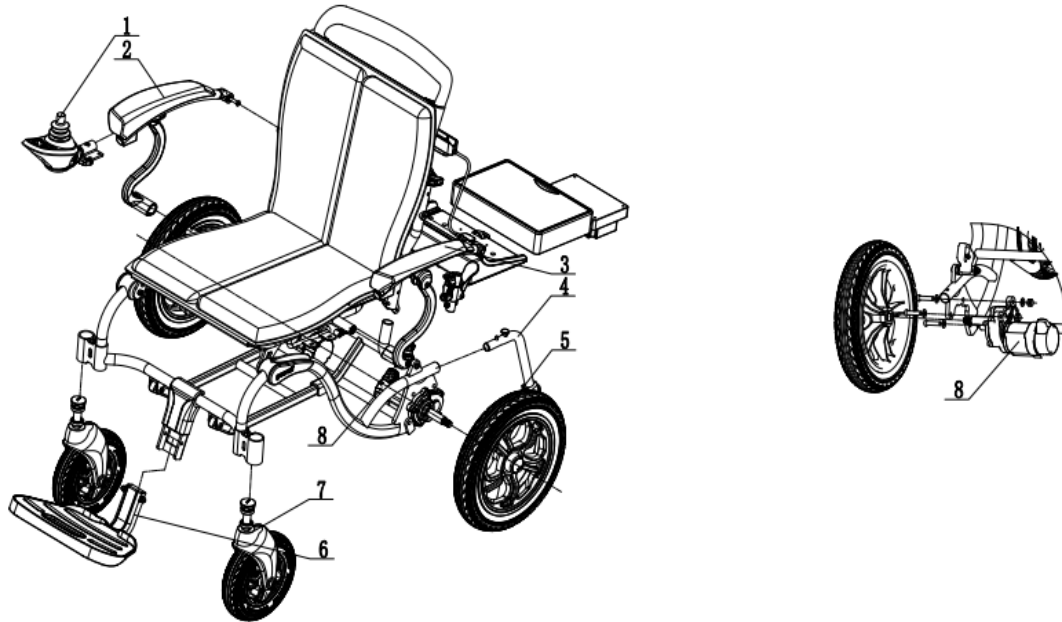


CE-D09 Spare parts list



Identification number: TCF-VOMNL - 0956-22
 Product group: Electric wheelchair
 Productname: Excel X50R+
 Batchnumber: 6581

Complete product



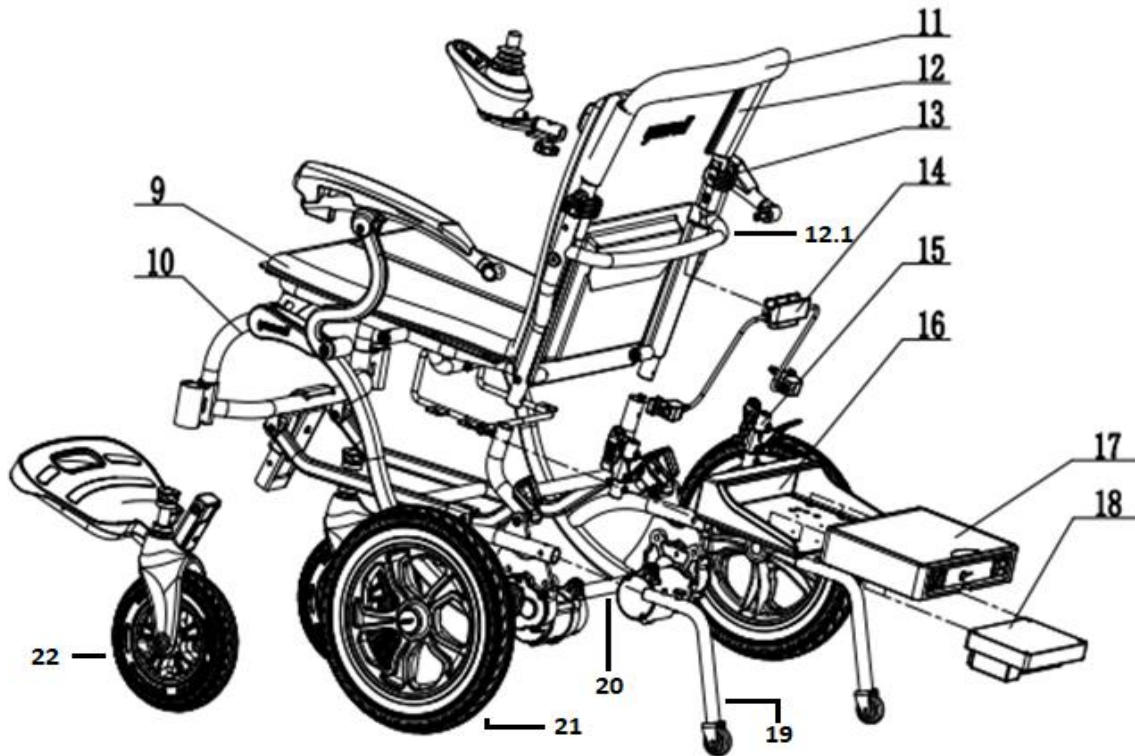
Drawing No.	Item No.	Description	Purchase Price	
1 + 18	10023828	Controller (upper control + bottom control)	€	480,00
2	20012489-R	Armrest assembly (right)	€	98,00
3	20012489-L	Armrest assembly (left)	€	98,00
4	20012486	Anti-tip assembly (piece)	€	8,00
5	20000818	12-inch rear wheel assembly	€	140,00
6	20012487	Footrest assembly	€	80,00
7	20009808	8-inch front wheel assembly	€	72,00
8	10023766	Motor Brushless Left	€	392,00
	10023767	Motor Brushless Right	€	392,00

CE-D09 Spare parts list



Identification number: TCF-VOMNL - 0956-22
 Product group: Electric wheelchair
 Productname: Excel X50R+
 Batchnumber: 6581

Frame



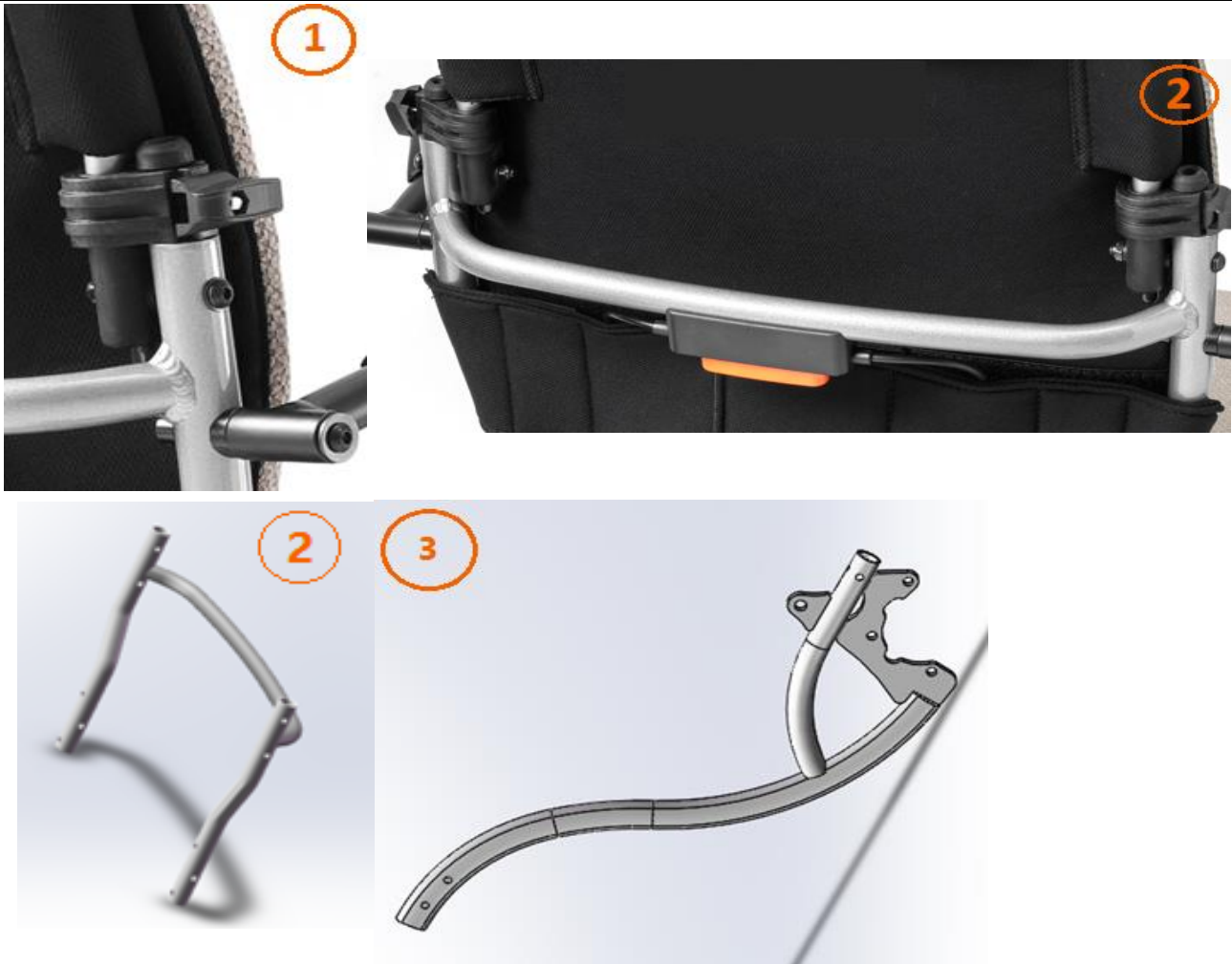
Drawing No.	Item No.	Description	Purchase Price
9	20012478	Seat upholstery for Excel X50R+	€ 31,50
	20012481	Seat cushion	€ 28,00
9.1	20010460	Seat frame for Excel X50R+	€ 56,00
10	20012488	Front frame for X50R+	€ 104,00
11	20012491	Push bar	€ 36,00
12	20012480	Back upholstery for Excel X50R+	€ 28,00
	20012482	Back cushion	€ 28,00
12.1	20010462	Backrest frame for X50R+	€ 56,00
13	10020283	Folding mechanism	€ 28,00
14	10020283-1	Foldable mechanical structure assembly	€ 22,00
15	10020283-2	Foldable back assembly and locking buckle	€ 18,80
16	10025181	Battery case base part	€ 24,00
17	20012494	12Ah quick release lithium battery	€ 560,00
1 + 18	10023828	Controller (upper control + bottom control)	€ 480,00
19	20012486	Anti-tip assembly (piece)	€ 8,00
20	20012439	Motor struts for Excel X50R+	€ 10,00
21	20000818	12-inch rear wheel assembly	€ 140,00
	10002064	12-inch tire	€ 36,00
	10002065	12-inch inner tube	€ 16,00
22	20009808	8-inch front wheel assembly	€ 72,00
	10015943	8-inch front wheels	€ 42,00
	10001990	Front fork	€ 30,00
	10002044	Bearing (piece)	€ 6,50
	20012485	Side frame for Excel X50R+	€ 56,00

CE-D09 Spare parts list



Identification number: TCF-VOMNL - 0956-22
 Product group: Electric wheelchair
 Productname: Excel X50R+
 Batchnumber: 6581

Frame 2



Drawing No.	Item No.	Description	Purchase Price
1	10020283	Folding mechanism	€ 28,00
2	20010462	Backrest frame	€ 56,00
3	20012485	Side frame for Excel X50R+	€ 56,00

CE-D09 Spare parts list



Identification number: TCF-VOMNL - 0956-22
 Product group: Electric wheelchair
 Productname: Excel X50R+
 Batchnumber: 6581

Pushing handles + Backrest



Drawing No.	Item No.	Description	Purchase Price
1	20012491	Push bar for X50R+	€ 36,00
2	20010462	Backrest frame	€ 56,00
3	20012482	Back cushion	€ 28,00
4	20012480	Back upholstery for Excel X50R+	€ 28,00

CE-D09 Spare parts list



Identification number: TCF-VOMNL - 0956-22
Product group: Electric wheelchair
Productname: Excel X50R+
Batchnumber: 6581

Seat



Drawing No.	Item No.	Description	Purchase Price	
1	20012481	Seat cushion	€	28,00
2	20012478	Seat upholstery for Excel X50R+	€	31,50
3	20010460	Seat frame for Excel X50R+	€	56,00

CE-D09 Spare parts list



Identification number: TCF-VOMNL - 0956-22
 Product group: Electric wheelchair
 Productname: Excel X50R+
 Batchnumber: 6581

Armrest



Drawing No.	Item No.	Description	Purchase Price	
1	20012489-L	Armrest assembly(left)	€	98,00
	20012489-R	Armrest assembly(right)	€	98,00
2	20012438	Armrest tube assembly	€	18,00
3	10002138	Armpad	€	14,00

CE-D09 Spare parts list



Identification number: TCF-VOMNL - 0956-22
 Product group: Electric wheelchair
 Productname: Excel X50R+
 Batchnumber: 6581

Front fork + wheels



Drawing No.	Item No.	Description	Purchase Price
1	20012488	Front frame for X50R+	€ 104,00
2	20009808	8-inch front wheel assembly	€ 72,00
3	10015943	8-inch front wheels	€ 42,00
4	10001990	Front fork	€ 30,00
5	10002044	Bearing (piece)	€ 6,50
6	10002016	Bearing house cover caps (set of 2 pc)	€ 4,00

CE-D09 Spare parts list



Identification number: TCF-VOMNL - 0956-22
Product group: Electric wheelchair
Productname: Excel X50R+
Batchnumber: 6581

Footplate



Drawing No.	Item No.	Description	Purchase Price
	20012487	Footrest assembly	€ 80,00

CE-D09 Spare parts list



Identification number: TCF-VOMNL - 0956-22
Product group: Electric wheelchair
Productname: Excel X50R+
Batchnumber: 6581

Rear wheel



Drawing No.	Item No.	Description	Purchase Price	
1	20000818	12-inch rear wheel assembly	€	140,00
2	10002064	12-inch tire	€	36,00
3	10002065	12-inch inner tube	€	16,00

CE-D09 Spare parts list



Identification number: TCF-VOMNL - 0956-22
 Product group: Electric wheelchair
 Productname: Excel X50R+
 Batchnumber: 6581

Battery + charger



Drawing No.	Item No.	Description	Purchase Price
1	20012494	12Ah quick release lithium battery	€ 560,00
2	10025181	Battery case base part	€ 24,00
	10002089	Lithium battery charger	€ 117,00

CE-D09 Spare parts list



Identification number: TCF-VOMNL - 0956-22
Product group: Electric wheelchair
Productname: Excel X50R+
Batchnumber: 6581

Motor



Drawing No.	Item No.	Description	Purchase Price
1	10023766	Motor Brushless Left	€ 392,00
2	10023767	Motor Brushless Right	€ 392,00
3	20012439	Motor struts for Excel X50R+	€ 10,00