

CE-D09 Spare parts list



Identification number: TCF-VOMNL - 0956-22
Product group: Electric wheelchair
Productname: Excel X50R
Batchnumber: 6581

Main photo

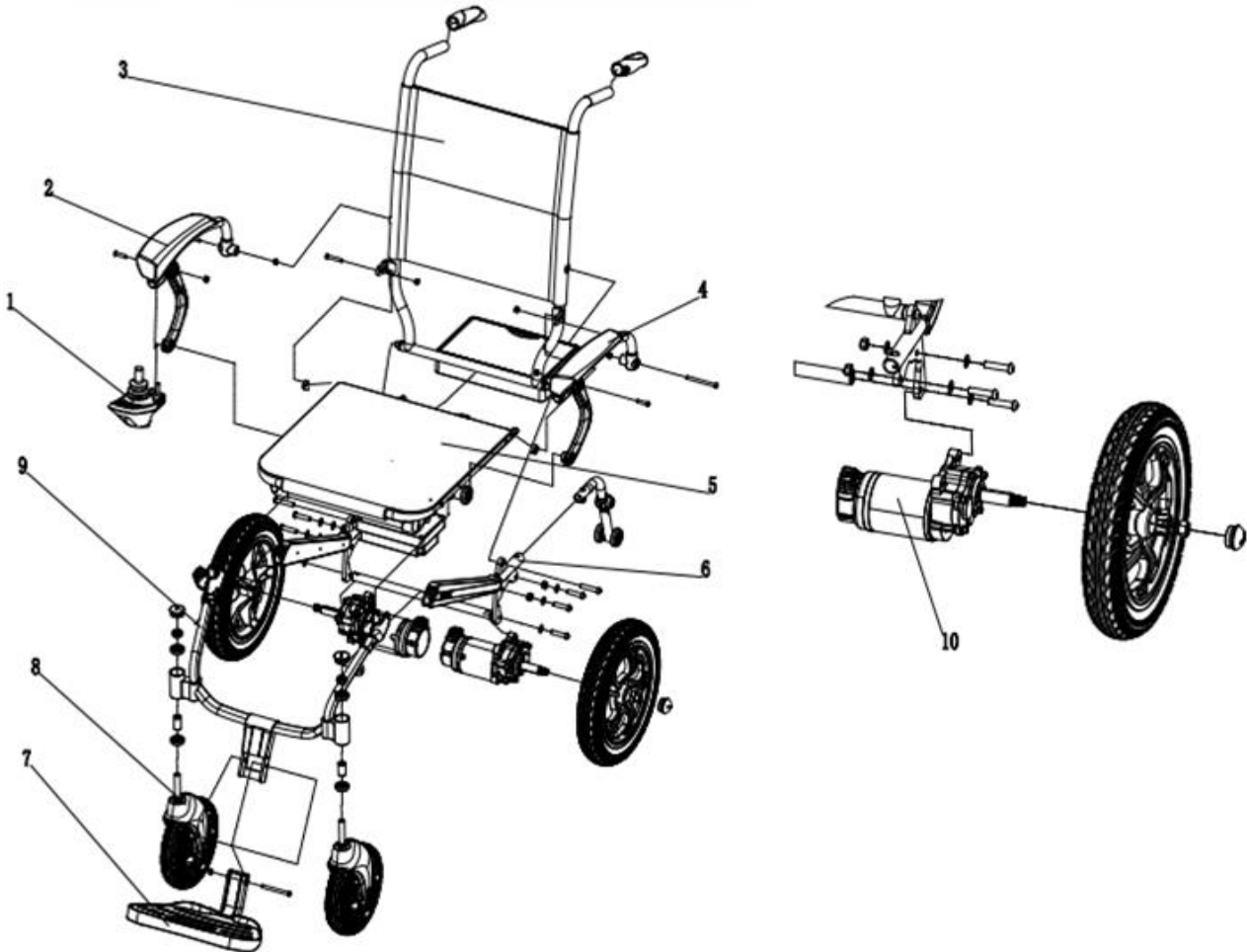


CE-D09 Spare parts list



Identification number: TCF-VOMNL - 0956-22
 Product group: Electric wheelchair
 Productname: Excel X50R
 Batchnumber: 6581

Complete product



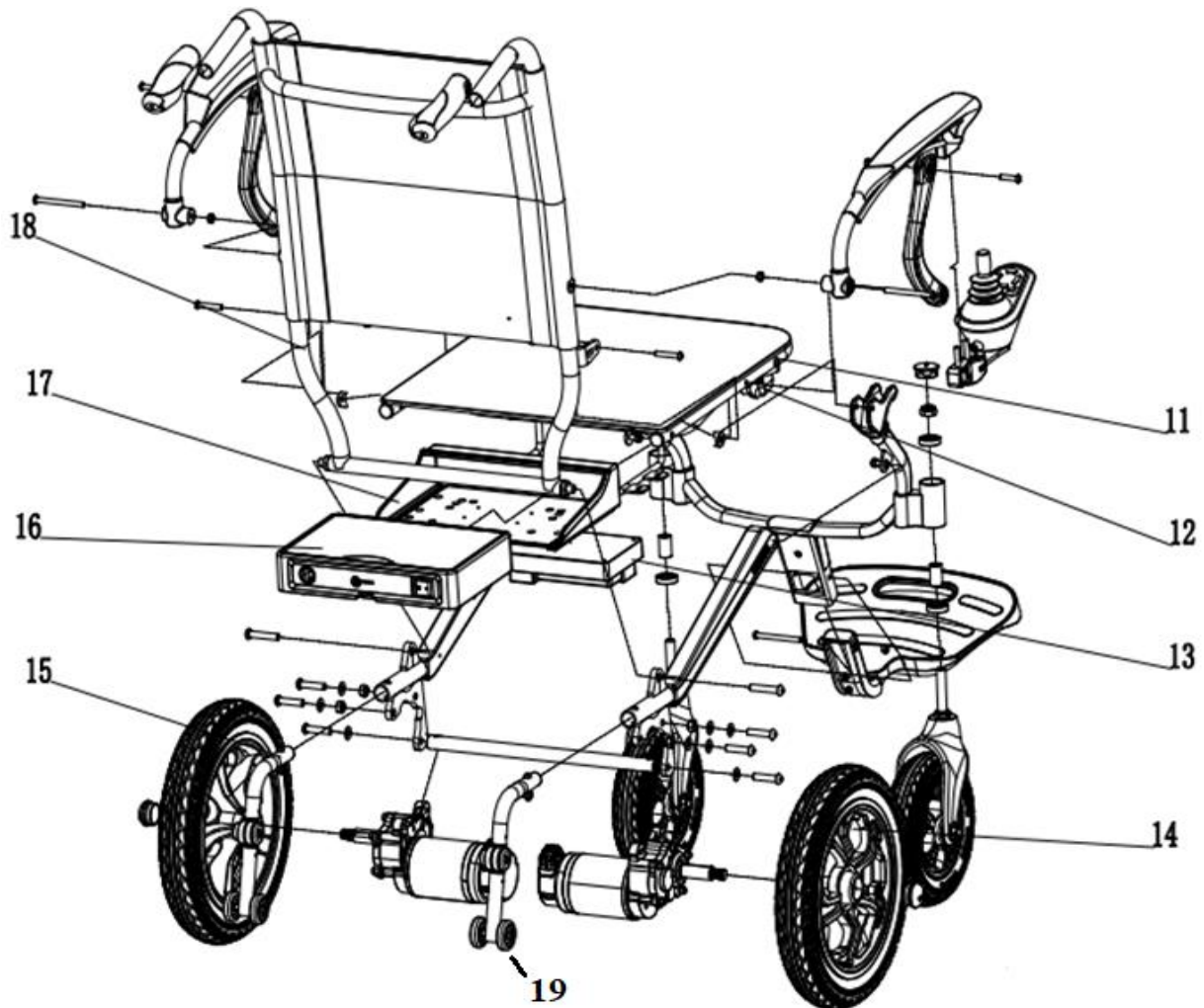
| Drawing No. | Item No. | Description | Purchase Price |
|-------------|------------|--------------------------------------|----------------|
| 1 | 10048526 | Controller (upper control) | € 360,00 |
| 2 | 20012489-L | Armrest assembly (left) | € 98,00 |
| | 20012489-R | Armrest assembly (right) | € 98,00 |
| 3 | 20021925 | Back upholstery for Excel X50R | € 35,00 |
| | 20012482 | Back cushion | € 28,00 |
| 4 | 20021839 | Armrest tube assembly for Excel X50R | € 16,00 |
| 5 | 20021924 | Seat upholstery for Excel X50R | € 35,00 |
| | 20012481 | Seat cushion | € 28,00 |
| 6 | 20012468 | Side frame for Excel X50R | € 56,00 |
| 7 | 20012487 | Footrest assembly | € 80,00 |
| 8 | 20009808 | 8-inch front wheel assembly | € 72,00 |
| 9 | 20012466 | Front frame for Excel X50R | € 104,00 |
| 10 | 10042883 | Motor with brushes Left | € 240,00 |
| | 10042852 | Motor with brushes Right | € 240,00 |

CE-D09 Spare parts list



Identification number: TCF-VOMNL - 0956-22
 Product group: Electric wheelchair
 Productname: Excel X50R
 Batchnumber: 6581

Frame



| Drawing No. | Item No. | Description | Purchase Price |
|-------------|----------|---|----------------|
| 11 | 20010440 | Seat frame for Excel X50R | € 56,00 |
| 12 | | Not available as spare part | - |
| 13 | 10023828 | Controller (upper control + bottom control) | € 480,00 |
| 14 | 20000818 | 12-inch rear wheel assembly | € 140,00 |
| 15 | 20012486 | Anti-tip assembly (piece) | € 8,00 |
| 16 | 20012494 | 12Ah quick release lithium battery | € 560,00 |
| 17 | 10025181 | Battery case base part | € 24,00 |
| 18 | 20021957 | Backrest frame for Excel X50R | € 90,00 |
| 19 | 20012486 | Anti-tip assembly (piece) | € 8,00 |

CE-D09 Spare parts list



Identification number: TCF-VOMNL - 0956-22
 Product group: Electric wheelchair
 Productname: Excel X50R
 Batchnumber: 6581

Pushing handles + Backrest

1



2



3



| Drawing No. | Item No. | Description | Purchase Price |
|-------------|----------|--------------------------------|----------------|
| 1 | 10006827 | Push handle for Excel X50R | € 8,50 |
| 2 | 20021925 | Back upholstery for Excel X50R | € 35,00 |
| 3 | 20012482 | Back cushion | € 28,00 |

CE-D09 Spare parts list



Identification number: TCF-VOMNL - 0956-22
 Product group: Electric wheelchair
 Productname: Excel X50R
 Batchnumber: 6581

Seat



| Drawing No. | Item No. | Description | Purchase Price |
|-------------|----------|--------------------------------|----------------|
| 1 | 20012481 | Seat cushion | € 28,00 |
| 2 | 20021924 | Seat upholstery for Excel X50R | € 35,00 |
| 3 | 20010440 | Seat frame for Excel X50R | € 56,00 |

CE-D09 Spare parts list



Identification number: TCF-VOMNL - 0956-22
 Product group: Electric wheelchair
 Productname: Excel X50R
 Batchnumber: 6581

Armrest



| Drawing No. | Item No. | Description | Purchase Price |
|-------------|------------|--------------------------------------|----------------|
| 1 | 20012489-L | Armrest assembly(left) | € 98,00 |
| | 20012489-R | Armrest assembly(right) | € 98,00 |
| 2 | 20021839 | Armrest tube assembly for Excel X50R | € 16,00 |
| 3 | 10002138 | Armpad | € 14,00 |

CE-D09 Spare parts list



Identification number: TCF-VOMNL - 0956-22
 Product group: Electric wheelchair
 Productname: Excel X50R
 Batchnumber: 6581

Front fork + wheels



| Drawing No. | Item No. | Description | Purchase Price |
|-------------|----------|--|----------------|
| 1 | 20021959 | Front frame for Excel X50R | € 36,00 |
| 2 | 20009808 | 8-inch front wheel assembly | € 72,00 |
| 3 | 10015943 | 8-inch front wheels | € 42,00 |
| 4 | 10001990 | Front fork | € 30,00 |
| 5 | 10002044 | Bearing (piece) | € 6,50 |
| 6 | 10002016 | Bearing house cover caps (set of 2 pc) | € 4,00 |

CE-D09 Spare parts list



Identification number: TCF-VOMNL - 0956-22
Product group: Electric wheelchair
Productname: Excel X50R
Batchnumber: 6581

Footplate



| Drawing No. | Item No. | Description | Purchase Price |
|-------------|----------|-------------------|----------------|
| | 20012487 | Footrest assembly | € 80,00 |

CE-D09 Spare parts list



Identification number: TCF-VOMNL - 0956-22
Product group: Electric wheelchair
Productname: Excel X50R
Batchnumber: 6581

Rear wheel



| Drawing No. | Item No. | Description | Purchase Price |
|-------------|----------|-----------------------------|----------------|
| 1 | 20000818 | 12-inch rear wheel assembly | € 140,00 |
| 2 | 10002064 | 12-inch tire | € 36,00 |
| 3 | 10002065 | 12-inch inner tube | € 16,00 |

CE-D09 Spare parts list



Identification number: TCF-VOMNL - 0956-22
 Product group: Electric wheelchair
 Productname: Excel X50R
 Batchnumber: 6581

Battery + charger



| Drawing No. | Item No. | Description | Purchase Price | |
|-------------|----------|------------------------------------|----------------|--------|
| 1 | 20012494 | 12Ah quick release lithium battery | € | 560,00 |
| 2 | 10025181 | Battery case base part | € | 24,00 |
| | 10002089 | Lithium battery charger | € | 117,00 |

CE-D09 Spare parts list



Identification number: TCF-VOMNL - 0956-22
Product group: Electric wheelchair
Productname: Excel X50R
Batchnumber: 6581

Motor



| Drawing No. | Item No. | Description | Purchase Price |
|-------------|----------|-----------------------------|----------------|
| 1 | 10042883 | Motor with brushes Left | € 240,00 |
| 2 | 10042852 | Motor with brushes Right | € 240,00 |
| 3 | 20021941 | Motor struts for Excel X50R | € 8,00 |