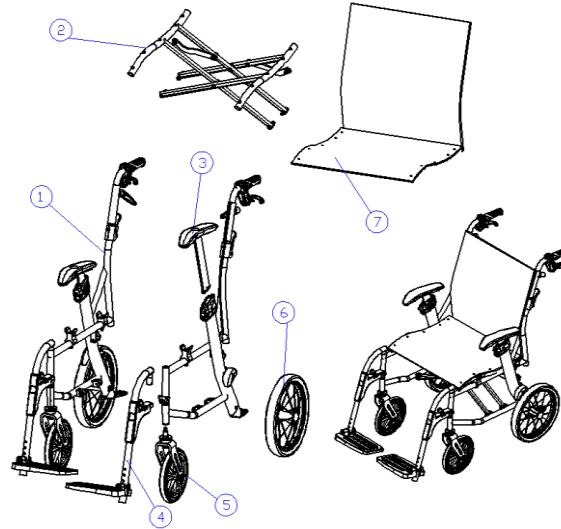


CE-D09-0236-16A Spare parts list

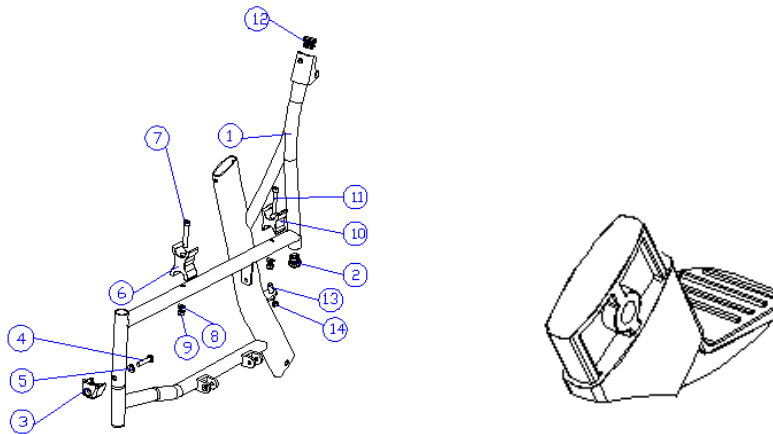


Identification number: TCF-VOMNL-9950-22
 Product group: Manual wheelchair
 Productname: Excel 9.9 12" Duwwandelwagen
 Batchnumber: From 6395

Complete



Side frame



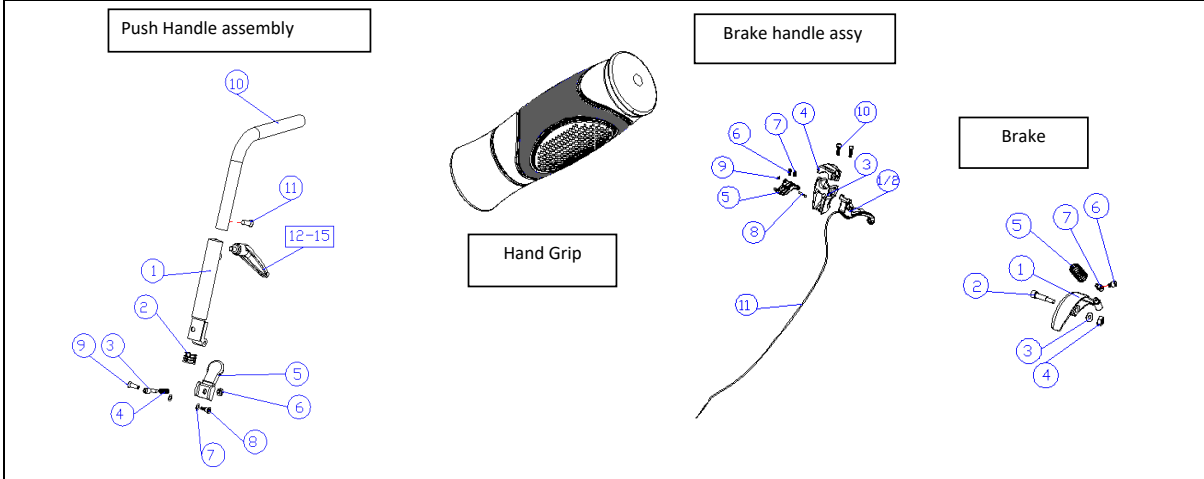
Drawing No.	Item No.	Description	Purchase Price
1 t/m 14	AI70-AA001-1L-PW60	Frame assembly LEFT Tuscan Red	€ 128,00
1 t/m 14	AI70-AA001-1L-PW59	Frame assembly LEFT Dark Blue	€ 128,00
1 t/m 14	AI70-AA001-1L-PW58	Frame assembly LEFT Gun Metal Grey	€ 128,00
1 t/m 14	AI70-AA001-1L-PW15	Frame assembly LEFT Exclusive editions	€ 128,00
1 t/m 14	AI70-AA001-1R-PW60	Frame assembly RIGHT Tuscan Red	€ 128,00
1 t/m 14	AI70-AA001-1R-PW59	Frame assembly RIGHT Dark Blue	€ 128,00
1 t/m 14	AI70-AA001-1R-PW58	Frame assembly RIGHT Gun Metal Grey	€ 128,00
1 t/m 14	AI70-AA001-1R-PW15	Frame assembly RIGHT Exclusive editions	€ 128,00
-	AI70-AA001-4L	Stepper, LEFT	€ 6,00
-	AI70-AA001-4R	Stepper, RIGHT	€ 6,00

CE-D09-0236-16A Spare parts list



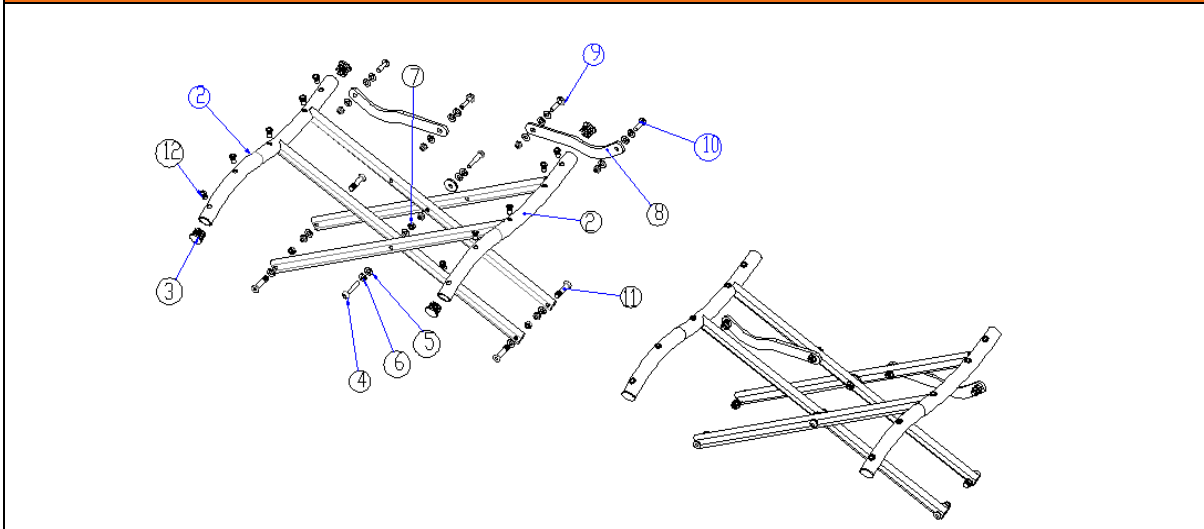
Identification number: TCF-VOMNL-9950-22
 Product group: Manual wheelchair
 Productname: Excel 9.9 12" Duwandelwagen
 Batchnumber: From 6395

Push handle



Drawing No.	Item No.	Description	Purchase Price
1 t/m 15	LT291-AZ03	Push handle assembly	€ 31,20
-	AT439	Hand grip, double colour	€ 8,80
1 t/m 11	AI70-AA001-2L	Brake handle assembly, LEFT	€ 14,00
1 t/m 11	AI70-AA001-2R	Brake handle assembly, RIGHT	€ 14,00
1 t/m 7	AI70-AA001-3L	Brake bracket, LEFT	€ 10,00
1 t/m 7	AI70-AA001-3R	Brake bracket, RIGHT	€ 10,00

Cross frame



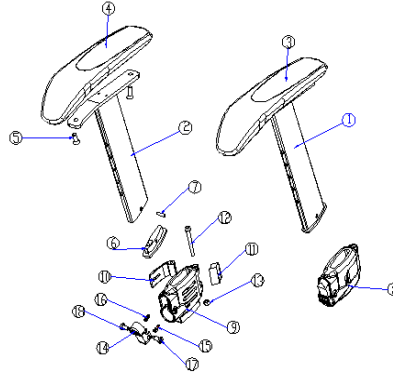
Drawing No.	Item No.	Description	Purchase Price
1 t/m 12	AI70-BA001-PW60	Cross Tube 18" Tuscan Red	€ 72,00
1 t/m 12	AI70-BA001-PW59	Cross Tube 18" Dark Blue	€ 72,00
1 t/m 12	AI70-BA001-PW58	Cross Tube 18" Gun Metal Grey	€ 72,00
1 t/m 12	AI70-BA001-PW15	Cross tube 18" Exclusive Editions	€ 72,00

CE-D09-0236-16A Spare parts list



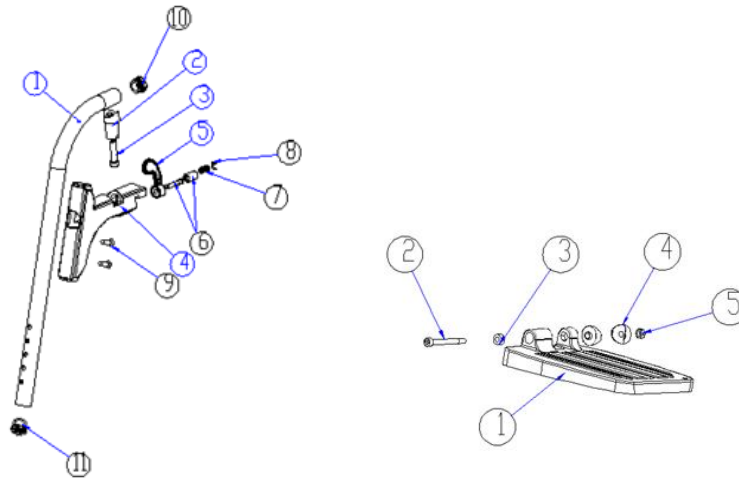
Identification number: TCF-VOMNL-9950-22
 Product group: Manual wheelchair
 Productname: Excel 9.9 12" Duwwandelwagen
 Batchnumber: From 6395

Armrest



Drawing No.	Item No.	Description	Purchase Price
1	AR26-60-1L	Armrest tube, LEFT	€ 19,20
2, 6, 7	AR26-60-1R	Armrest tube, RIGHT	€ 19,20
3	AR26-60-2L	Armrest pad, LEFT	€ 11,20
4, 5	AR26-60-2R	Armrest pad, RIGHT	€ 11,20
8	AR26-60-3L	Bracket of push handle, LEFT	€ 11,20
9 t/m 18	AR26-60-3R	Bracket of push handle, RIGHT	€ 11,20

Legrest



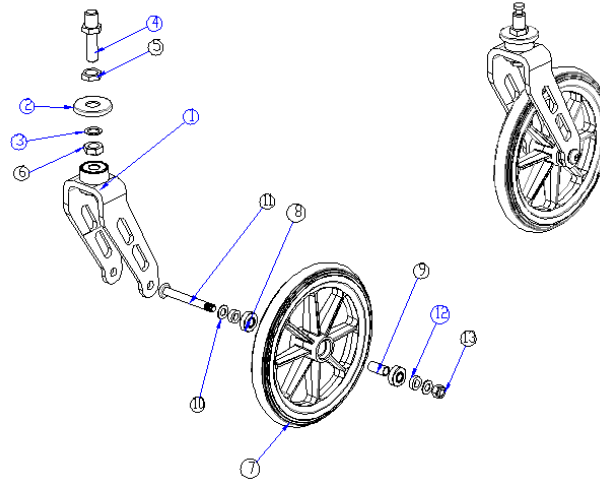
Drawing No.	Item No.	Description	Purchase Price
1 tm 11	SA27-14-L-PW60	Legrest tube LEFT, Tuscan Red	€ 64,00
1 tm 11	SA27-14-L-PW59	Legrest tube LEFT, Dark Blue	€ 64,00
1 tm 11	SA27-14-L-PW58	Legrest tube LEFT, Gun Metal Grey	€ 64,00
1 tm 11	SA27-14-L-PW15	Legrest tube LEFT, Exclusive Edition	€ 64,00
1 tm 11	SA27-14-R-PW60	Legrest tube RIGHT, Tuscan Red	€ 64,00
1 tm 11	SA27-14-R-PW59	Legrest tube RIGHT, Dark Blue	€ 64,00
1 tm 11	SA27-14-R-PW58	Legrest tube RIGHT, Gun Metal Grey	€ 64,00
1 tm 11	SA27-14-R-PW15	Legrest tube RIGHT, Exclusive Edition	€ 64,00
1 t/m 5	FR10-4L	Footplate, LEFT	€ 16,80
1 t/m 5	FR10-4R	Footplate, RIGHT	€ 16,80

CE-D09-0236-16A Spare parts list



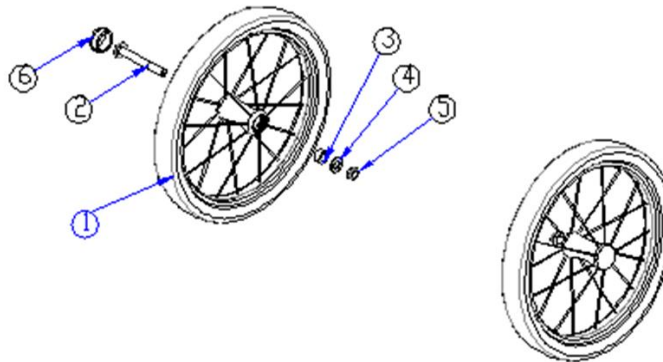
Identification number: TCF-VOMNL-9950-22
 Product group: Manual wheelchair
 Productname: Excel 9.9 12" Duwwandelwagen
 Batchnumber: From 6395

Front wheel



Drawing No.	Item No.	Description	Purchase Price
1 t/m 6	FPU8-163-1	Front fork assembly	€ 27,20
7 t/m 13	FPU8-163-2	8" Front wheel assembly	€ 24,80

Rear wheel



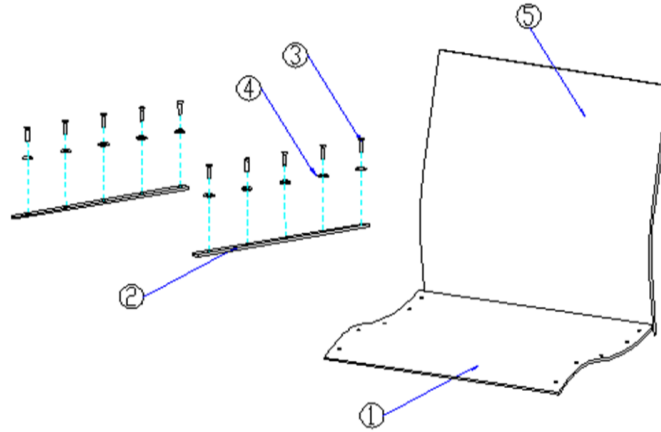
Drawing No.	Item No.	Description	Purchase Price
1	W12S-PF01-1	12" Rear wheel	€ 60,00
2 t/m 6	W12S-PF01-2	Bearing house for rear wheel	€ 6,00

CE-D09-0236-16A Spare parts list



Identification number: TCF-VOMNL-9950-22
Product group: Manual wheelchair
Productname: Excel 9.9 12" Duwwandelwagen
Batchnumber: From 6395

Seat upholstery



Drawing No.	Item No.	Description	Purchase Price
1 t/m 4	AI70-K001-1	Seat canvas with mounting set	€ 48,00
5	AI70-K001-2	Back Canvas	€ 52,00