

CE-D09-D10-2420B EZ-Lite+



Identification number: TCF-VOMNL-2420B

Product group: Rollator

Productname: EZ-Lite+

Batchnumber: from batch 5911

Complete



CE-D09-D10-2420B EZ-Lite+



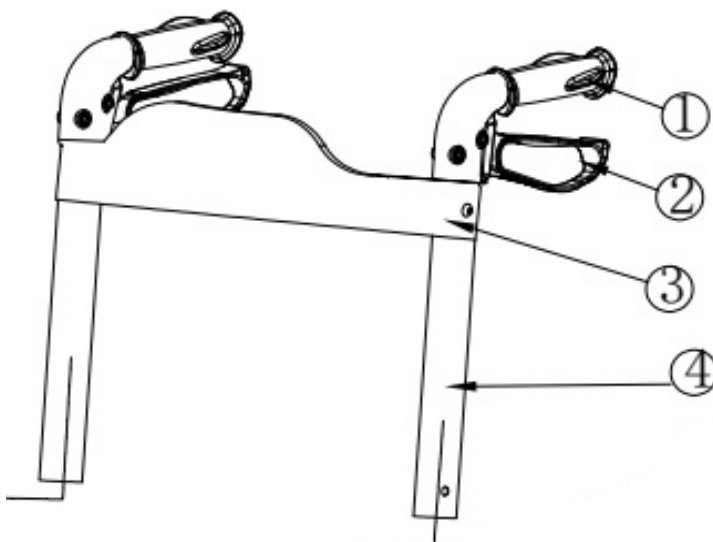
Identification number: TCF-VOMNL-2420B

Product group: Rollator

Productname: EZ-Lite+

Batchnumber: from batch 5911

Push handles



Push handles

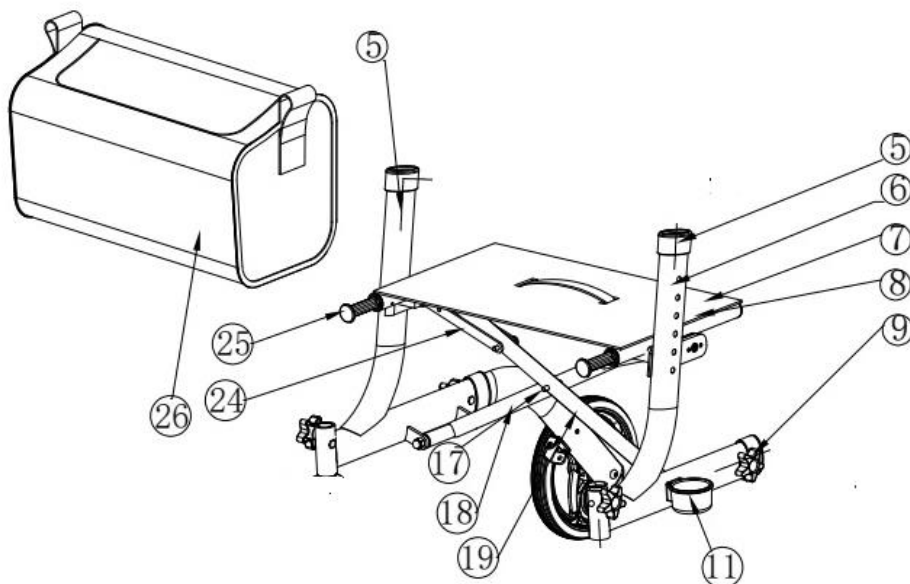
Drawing No.	Item No.	Description	Purchase Price
1	PA026	Push handle LEFT	€ 15,00
	PA027	Push handle RIGHT	€ 15,00
2	PA014	Brake handle	€ 7,50
3	H089	Backrest	€ 21,00
4	10-SP001	Back tube incl. hand grip and brake handle	€ 32,00

CE-D09-D10-2420B EZ-Lite+



Identification number: TCF-VOMNL-2420B
 Product group: Rollator
 Productname: EZ-Lite+
 Batchnumber: from batch 5911

Crossframe + Seat



Crossframe + Seat

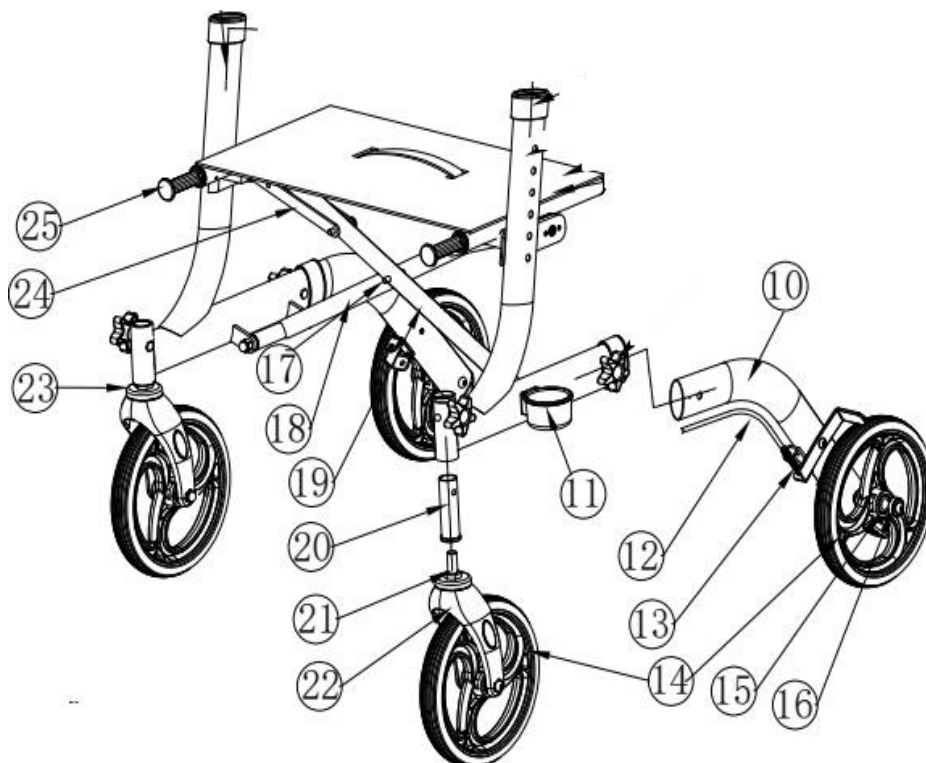
Drawing No.	Item No.	Description	Purchase Price
5	PK013	Sleeve for back tube	€ 3,00
6	-	Not available as spare part	-
7-8	H023MH015	Seat	€ 37,50
9	G019	Knob	€ 7,50
11	PH216	Cane holder	€ 7,50
17 t/m 19	-	Not available as spare part	-
24	-	Not available as spare part	-
25	PH018	Bag holder	€ 3,00
26	H054	Bag	€ 33,00

CE-D09-D10-2420B EZ-Lite+



Identification number: TCF-VOMNL-2420B
 Product group: Rollator
 Productname: EZ-Lite+
 Batchnumber: from batch 5911

Front fork + Wheel



Front fork + Wheel

Drawing No.	Item No.	Description	Purchase Price
10	-	Not available as spare part	-
11	PH216	Cane holder	€ 7,50
12	MH278	Brake cable	€ 12,00
13	-	Not available as spare part	-
14 t/m 16	F054MH004	Wheel with bearing set	€ 15,00
17 t/m 19	-	Not available as spare part	-
20 t/m 23	10-SP002	Front fork	€ 18,00
24	-	Not available as spare part	-
25	PH018	Bag holder	€ 3,00