

CE-D09 Spare parts list



Identification number: TCF-VOMNL - 0953-18B
Product group: Electric wheelchair
Productname: E-smart +
Batchnumber: From 3992

Complete



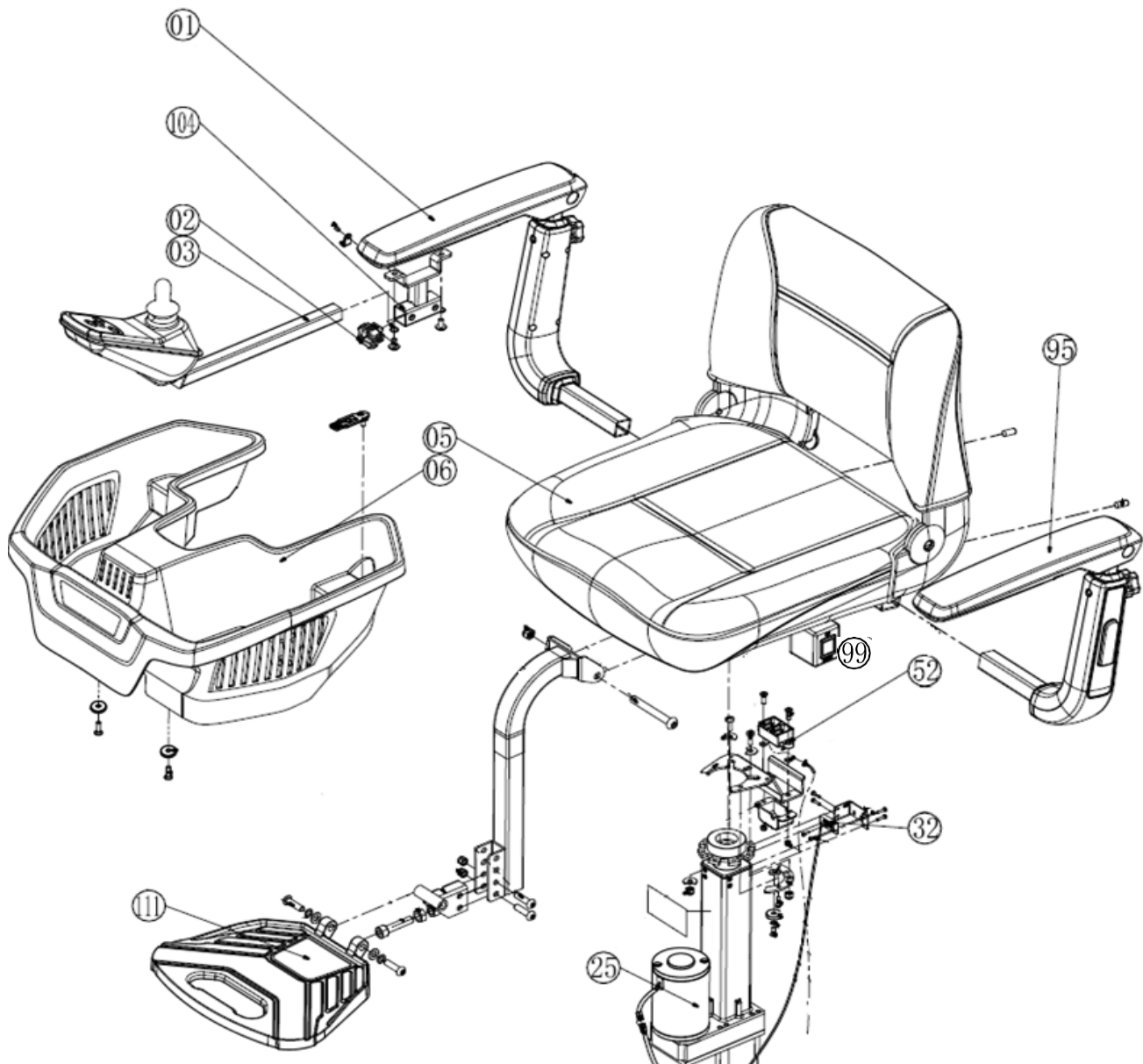
CE-D09 Spare parts list



Identification number: TCF-VOMNL - 0953-18B
 Product group: Electric wheelchair
 Productname: E-smart +
 Batchnumber: From 3992



Seat assembly



Drawing No.	Item No.	Description	Purchase Price
1	SE06E413DK0	Armrest complete Right	€ 101,42

CE-D09 Spare parts list



Identification number: TCF-VOMNL - 0953-18B

Product group: Electric wheelchair

Productname: E-smart +

Batchnumber: From 3992

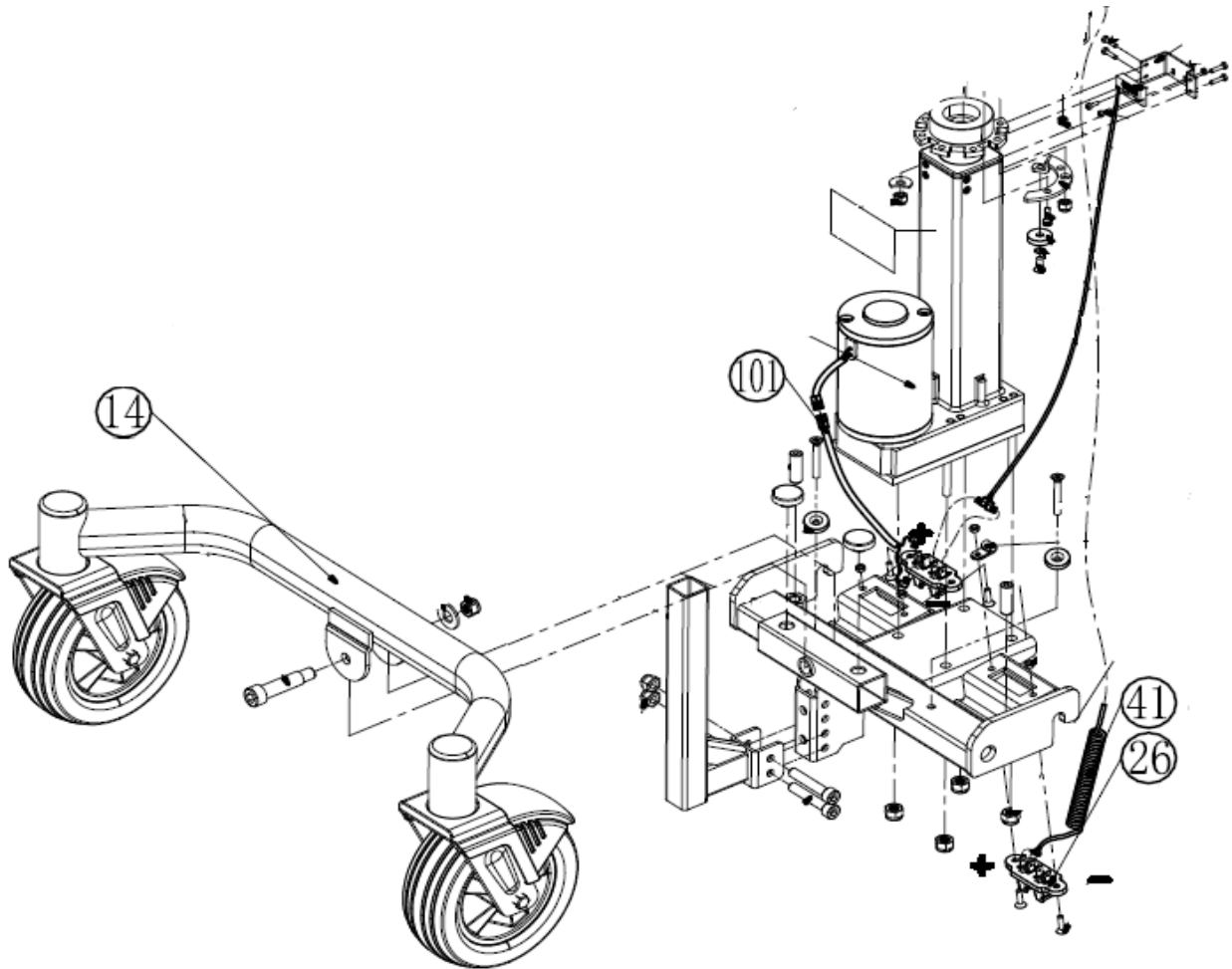
1-1 & 95-1	WG01A418BA1	Armpad Left/Right	€ 43,80
2	SE05A503A3A	Knob (M8x15)	€ 2,36
3-1	D50677	Joystick module (VR2 JSM D50677)	€ 660,96
3-2	WC06A403GG0	Joystick mounting slide tube	€ 14,15
5	WS68E005AK0	Fish on Seat including seat plate	€ 340,20
	WS11E003AK1	Comfort seat with lumbal support and adjustable back	€ 293,66
5-1	WG02A403AG0	Seat plate complete	€ 113,22
6	WG02A501A3A	Battery basket	€ 63,69
25	ZA07E104AK0	Lift motor complete	€ 1.302,48
32	WG02F608AK0	Lift sensor with wire	€ 14,15
52	SD03F610AK0	Connector lift motor (Female)	€ 9,44
95	SE06E414DK0	Armrest complete Left	€ 101,42
99	WG02F607AK0	lift motor switch wiring	€ 25,92
104	WE03A115BG0	Mounting block including mounting material for joystick	€ 9,44
111	WE01P504B1B	Foot plate	€ 80,20

CE-D09 Spare parts list



Identification number: TCF-VOMNL - 0953-18B
 Product group: Electric wheelchair
 Productname: E-smart +
 Batchnumber: From 3992

Front wheel & seat



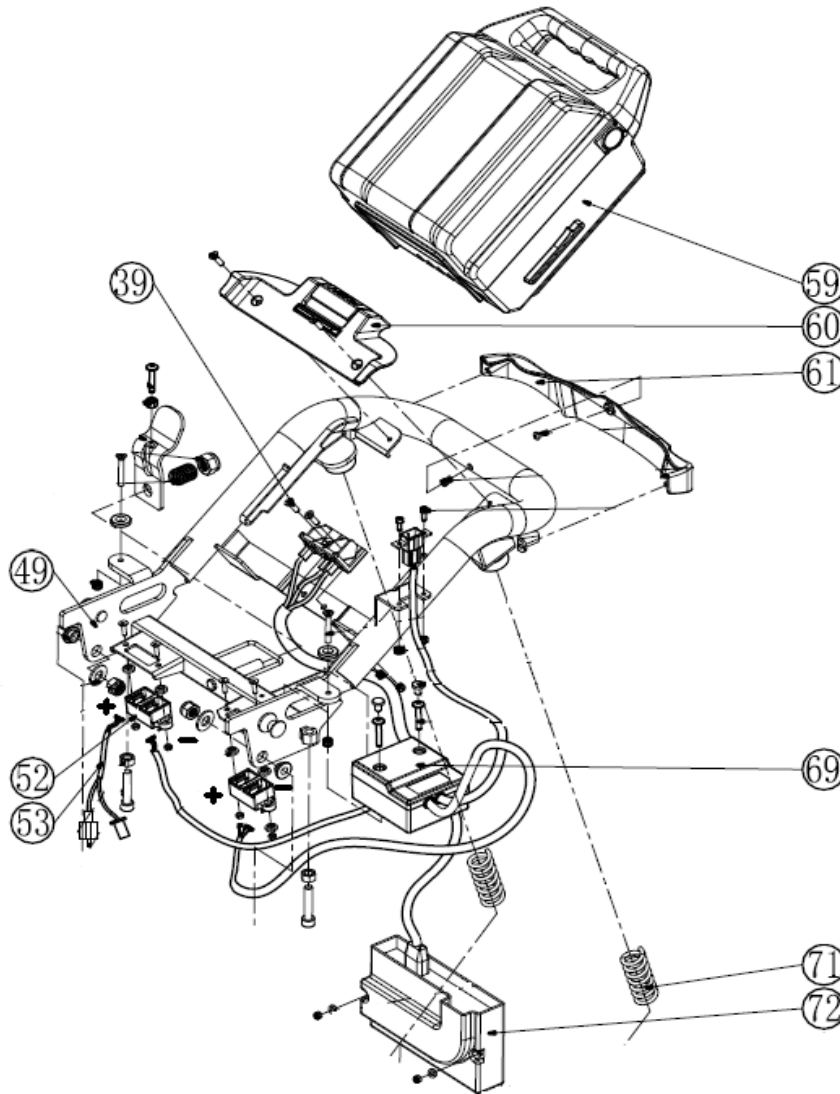
Drawing No.	Item No.	Description	Purchase Price
14	WG02E201AK0	Front caster complete incl. casters	€ 244,00
14-1	WE03E202DK0	Front wheel incl. front fork & front fender Left	€ 73,12
14-2	WE03E203DK0	Front wheel incl. front fork & front fender Right	€ 73,12
26	SD03F609AK0	Connector (Male)	€ 9,44
41	WG02F606AK0	Wire to adapter lift motor switch (Female)	€ 18,87
101	WG02F619AK0	Wire adapter to lift motor	€ 45,36

CE-D09 Spare parts list



Identification number: TCF-VOMNL - 0953-18B
 Product group: Electric wheelchair
 Productname: E-smart +
 Batchnumber: From 3992

Battery assembly



Drawing No.	Item No.	Description	Purchase Price
39	WG02F616AK0	Connection part for battery	€ 58,00
49 & 52	-	Not available as spare part	-
53	WG02F609AK0	Wire adapter to motor and EM Brake	€ 9,44
59	99310120	Battery box assembly (without 12V/18AH battery)	€ 229,98
	99310020	Battery box assembly incl. 12V/18AH battery	€ 481,41
59-1	SE05F609AK0	Circuit breaker assembly with wire & connectors	€ 25,94
59-2	SE05F613AK0	Charging port	€ 28,31
59-3	SE05F608AK0	Connection part for battery box	€ 42,46
-	93811350	Battery charger 12V/3Ah	€ 206,12
60	WG02E501AK0	Battery box holder, plastic assembly	€ 18,87
61	WG02P504A3A	Rear cover	€ 6,00

CE-D09 Spare parts list



Identification number: TCF-VOMNL - 0953-18B
Product group: Electric wheelchair
Productname: E-smart +
Batchnumber: From 3992

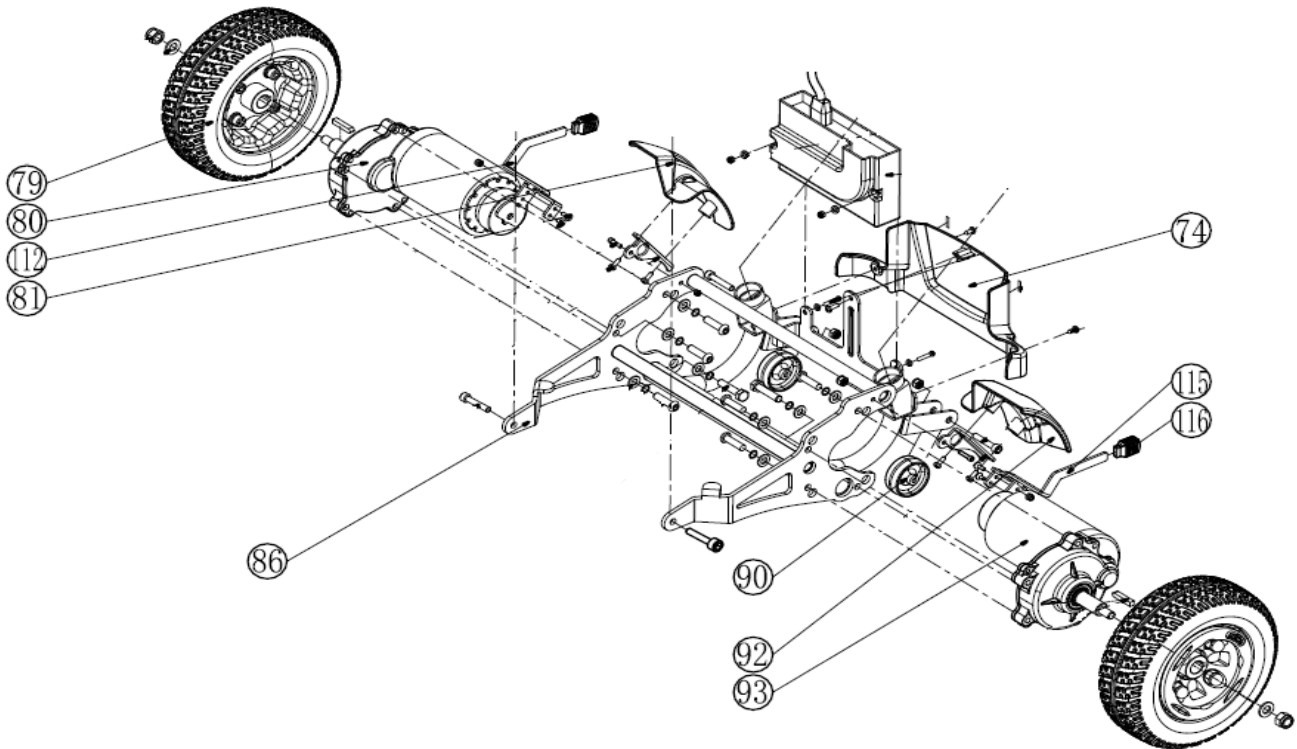
69	WG02E601AK0	Lift motor control box assembly with controller and battery connector	€ 99,07
	WG02H601AN9	PCB Board	€ 177,00
71	WG02P144A1G	Spring for suspension system (set of 2)	€ 10,11
72	D51877	Controller (PG VR2 PM2-50)	€ 707,62

CE-D09 Spare parts list



Identification number: TCF-VOMNL - 0953-18B
 Product group: Electric wheelchair
 Productname: E-smart +
 Batchnumber: From 3992

Rear assembly



Drawing No.	Item No.	Description	Purchase Price
74	WG02P505A3A	Rear cover	€ 7,07
79	WG02E210BK0	Driving wheel, air 9"	€ 141,52
79-1	WG02A206AG0	Rear hub	€ 18,00
80	RA04E108CK0	Transaxle with motor and brake Right	€ 615,62
80-1 & 93-1	RA04A101DK0	Transaxle Left/Right	€ 200,49
80-2	RA04A308AK0	Motor Right	€ 350,44
80-3	RA03A204DK0	Motorbrake (3NM) Right	€ 130,91
81	WG02P503A3A	Fender Right	€ 4,72
86	-	Not available as spare part	-
90	SE06P560A3A	Anti-tip wheel 3" (set of 2)	€ 19,44
92	WG02P502A3A	Fender Left	€ 4,72
93	RA04E107CK0	Transaxle with motor and brake Left	€ 615,62
93-2	RA04A307AK0	Motor Left	€ 350,44
93-3	RA03A203DK0	Brake (3NM) Left	€ 130,91
112	WG02P130AG0	Brake extension lever, Right	€ 9,44
115	WG02P129AG0	Brake extension lever, Left	€ 9,44
116	WE03P510B4B	Brake extension lever cover Yellow (set of 2)	€ 2,35