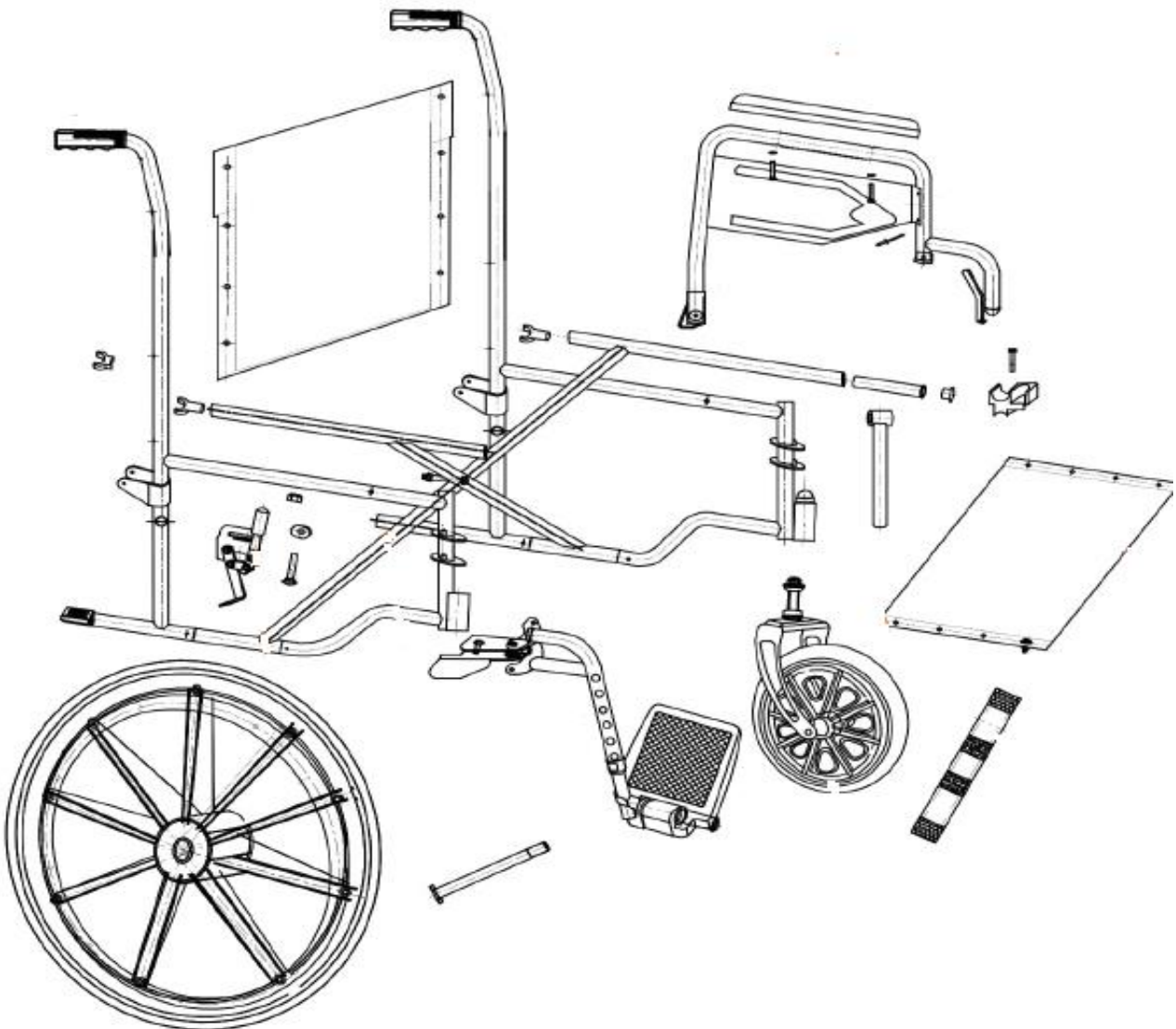


CE-D09 Spare parts list



Identification number: TCF-VOMNL -0115-15
Product group: Manual wheelchair
Productname: G-basic
Batchnumber: 4268

Complete

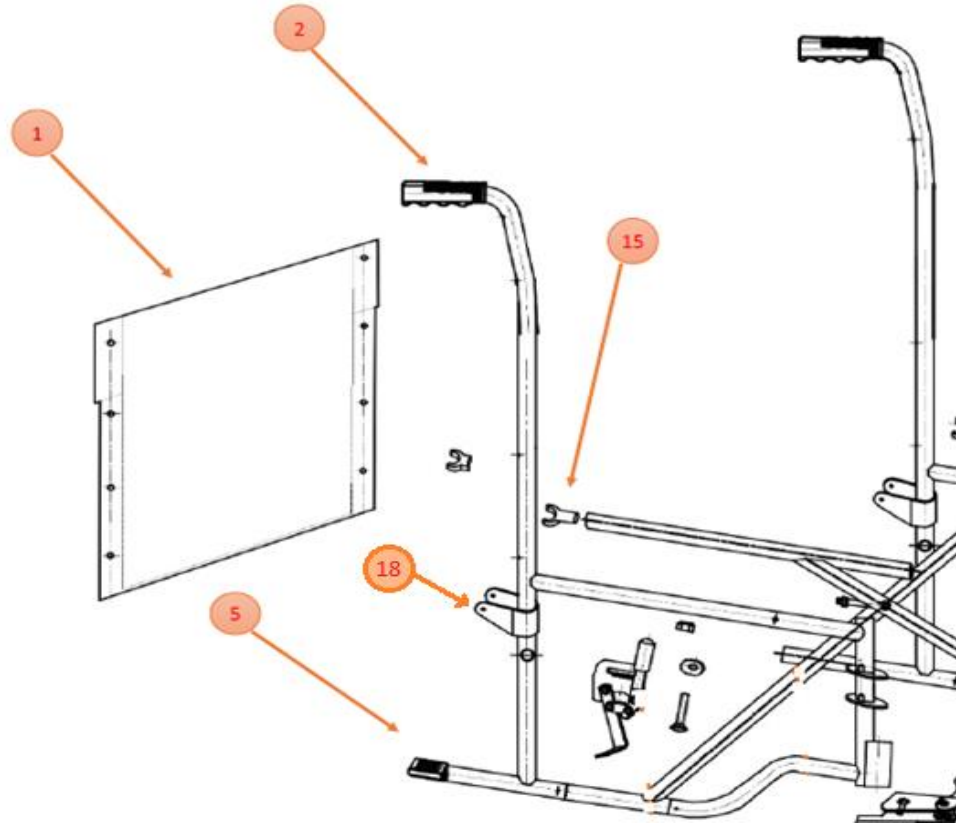


CE-D09 Spare parts list



Identification number: TCF-VOMNL -0115-15
 Product group: Manual wheelchair
 Productname: G-basic
 Batchnumber: 4268

Back and handle bar



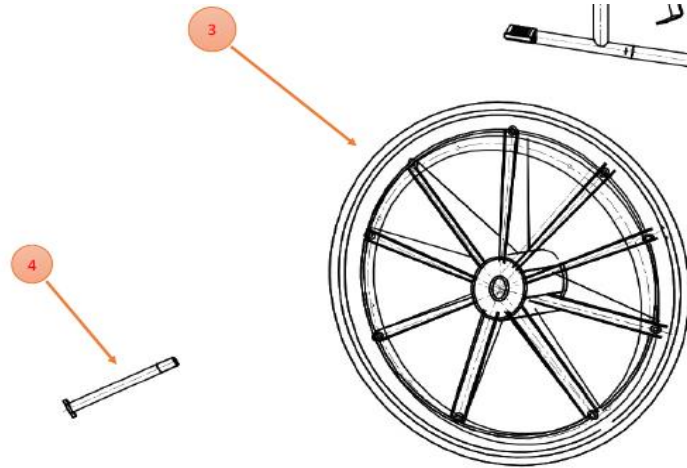
Drawing No.	Item No.	Description	Purchase Price
1	51150145	Back upholstery 45 cm	€ 62,26
	51150150	Back upholstery 50 cm	€ 62,26
2	11151140	Side frame complete, sd 43 cm (with backrest and handlebar) Left	€ 172,93
	11151150	Side frame complete, sd 43 cm (with backrest and handlebar) Right	€ 172,93
2-1	11150000	Handlebar	€ 1,50
5	11150500	Stepper	€ 2,50
15	11152000	Seat Rail Guide for Excel G-Basic L/R	€ 11,06
18	11152070	Cross frame/armrest receiving block plastick front Left	€ 11,06
	11152075	Cross frame/armrest receiving block plastick front Right	€ 11,06

CE-D09 Spare parts list



Identification number: TCF-VOMNL -0115-15
Product group: Manual wheelchair
Productname: G-basic
Batchnumber: 4268

Rear wheel



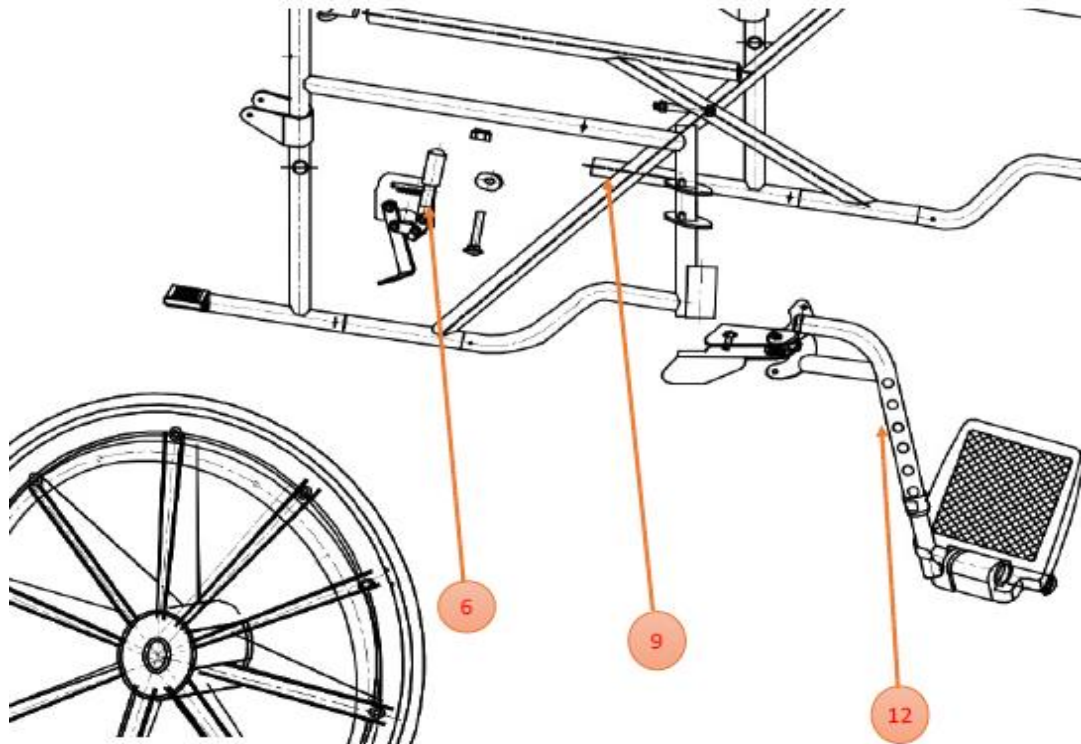
Drawing No.	Item No.	Description	Purchase Price
3	41150010	24" x 1 rearwheel PU, plastic rim, handrim and hub, complete	€ 116,20
4	-	Not available as spare part	-

CE-D09 Spare parts list



Identification number: TCF-VOMNL -0115-15
 Product group: Manual wheelchair
 Productname: G-basic
 Batchnumber: 4268

Cross frame + legrest



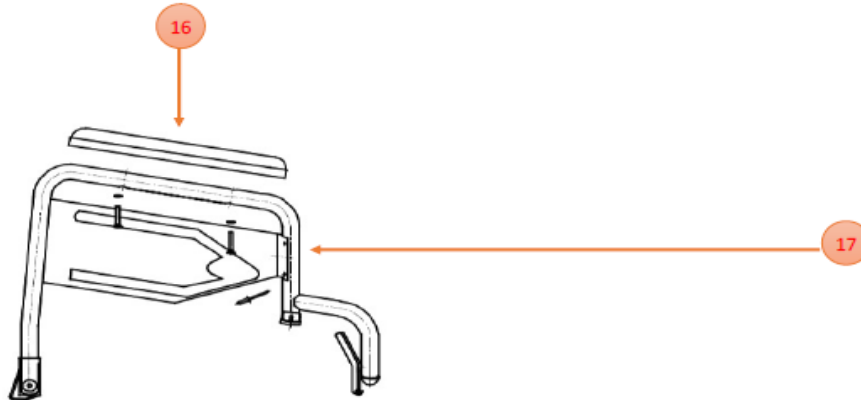
Drawing No.	Item No.	Description	Purchase Price
6	71150000	Brake complete, Left Black	€ 38,73
	71150010	Brake complete, Right Black	€ 38,73
9	21154543	Cross frame complete, seat width 45 cm x seat depth 43 cm	€ 120,32
	21155043	Cross frame complete, seat width 50 cm x seat depth 43 cm	€ 120,32
12	61154200	Footrest standard, 45-50 cm (Left)	€ 98,48
	61154210	Footrest standard, 45-50 cm (Right)	€ 98,48
	61156020	Elevating legrest complete, 45-50 cm (Left)	€ 196,45
	61156030	Elevating legrest, complete, 45-50 cm (Right)	€ 196,45
	61150042	Footplate 45/50 cm incl. insert tube, Left	€ 37,35
	61150043	Footplate 45/50 cm incl. insert tube, Right	€ 37,35

CE-D09 Spare parts list



Identification number: TCF-VOMNL -0115-15
 Product group: Manual wheelchair
 Productname: G-basic
 Batchnumber: 4268

Armrest



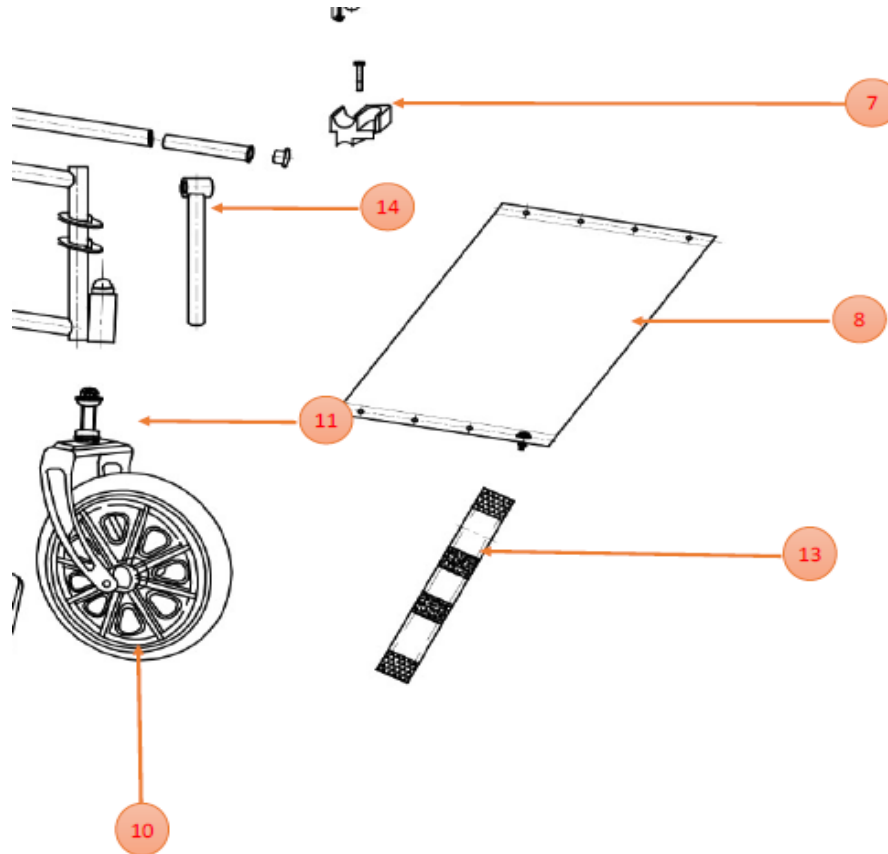
Drawing No.	Item No.	Description	Purchase Price
16	31150500	Armrest polster, PU (short) for armrest Left/Right	€ 23,29
17	31150045	Armrest short foldable, Left	€ 196,45
	31150046	Armrest short foldable, Right	€ 196,45
-	31150600	Armrest fixation kit Left/Right (with handle, screw and spring)	€ 8,21

CE-D09 Spare parts list



Identification number: TCF-VOMNL -0115-15
 Product group: Manual wheelchair
 Productname: G-basic
 Batchnumber: 4268

Armrest



Drawing No.	Item No.	Description	Purchase Price
7	31150600	Armrest fixation kit Left/Right	€ 8,21
8	51150045	Seat upholstery, seat width 45 cm, seat depth 43 cm, Nylon	€ 48,43
	51150050	Seat upholstery, seat width 50 cm, seat depth 43 cm, Nylon	€ 48,43
10	81152000	Front wheel, 8 x 1¼", complete with bearings, PU, hub of 6 cm	€ 29,05
11	81150000	Front fork Left/Right Black	€ 29,05
13	61150145	Calf strap 45 cm	€ 7,08
	61150150	Calf strap 50 cm	€ 7,08
14	21150100	Slide tube for crossframe	€ 13,45