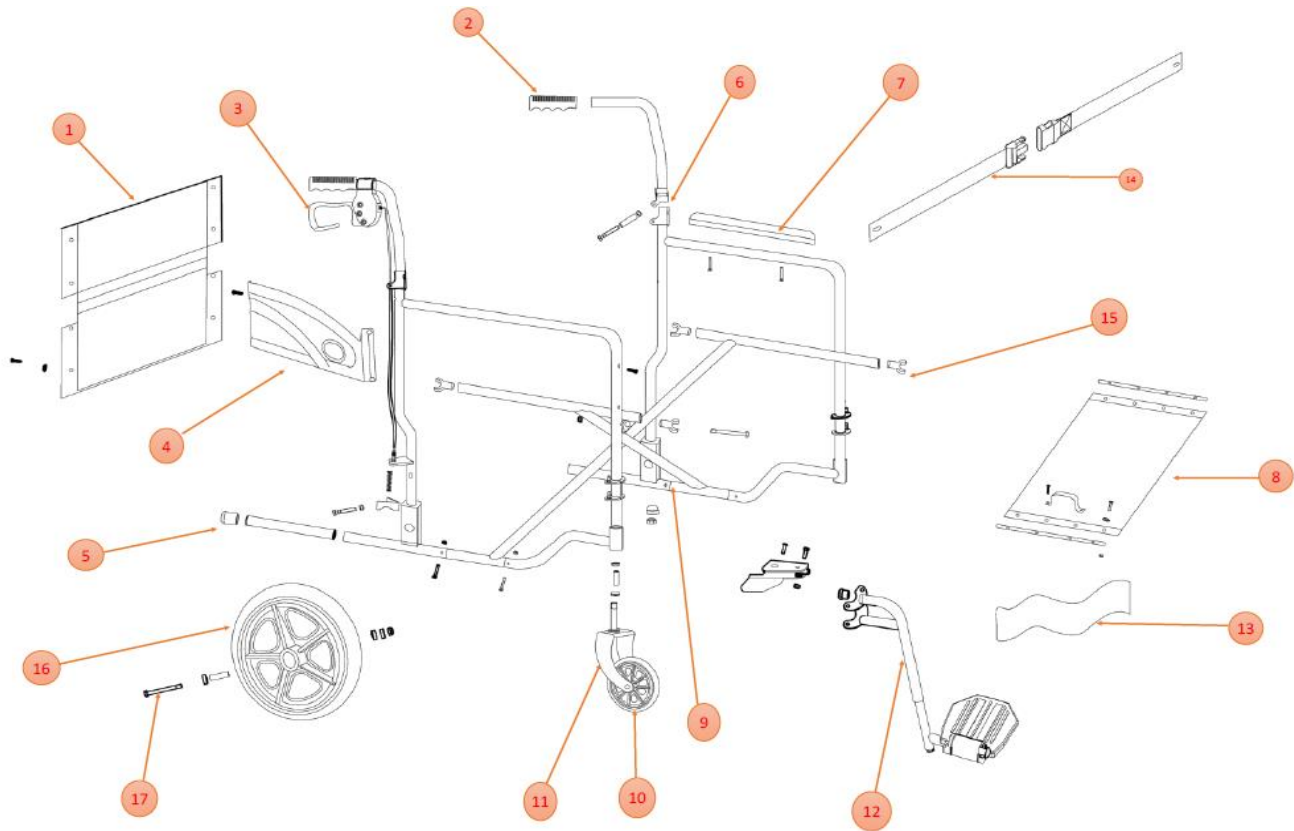


## CE-D09 Spare parts list



Identification number: TCF-VOMNL -0135C  
Product group: Manual wheelchair  
Productname: Excel Access  
Batchnumber: 4146

### Complete

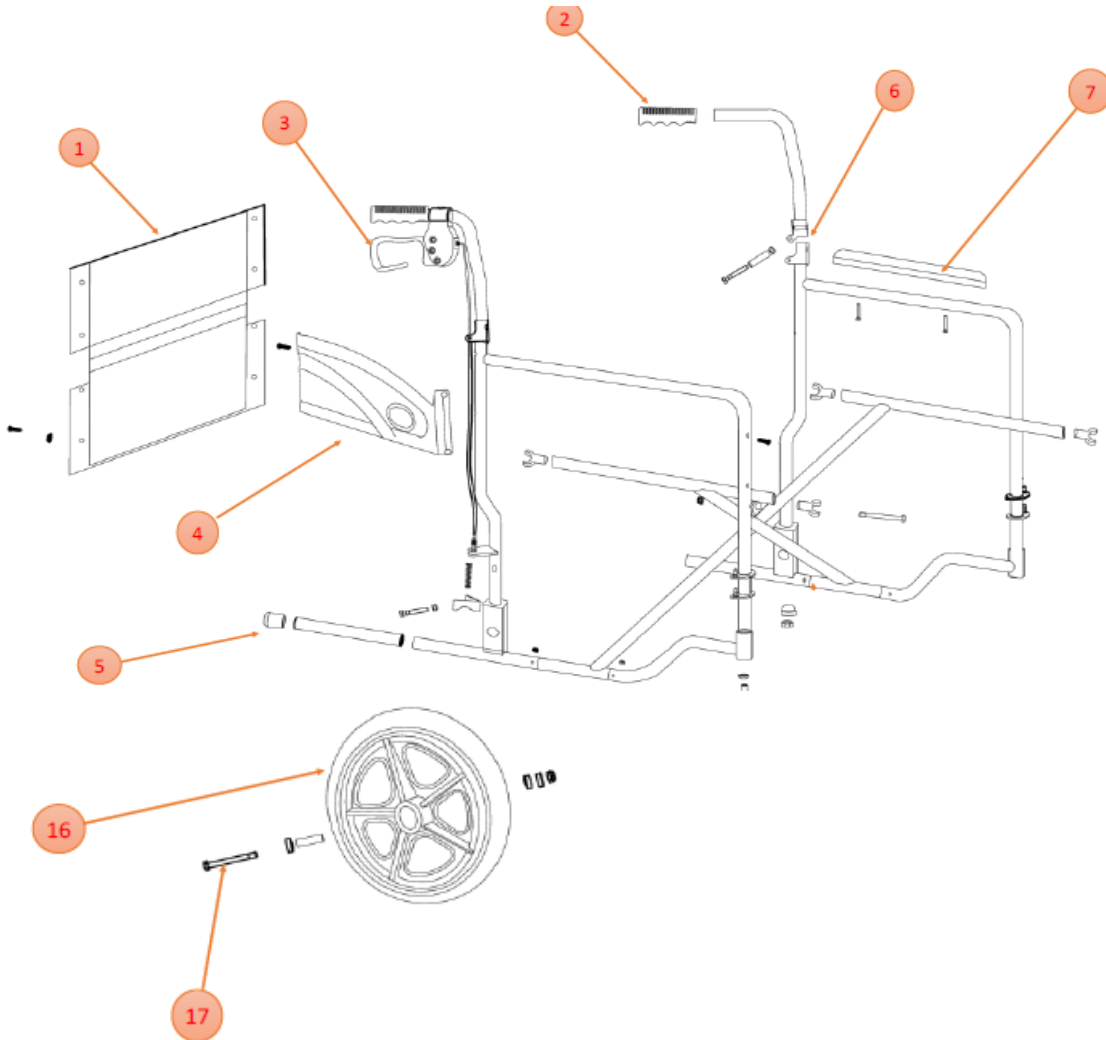


## CE-D09 Spare parts list



Identification number: TCF-VOMNL -0135C  
 Product group: Manual wheelchair  
 Productname: Excel Access  
 Batchnumber: 4146

### Back end



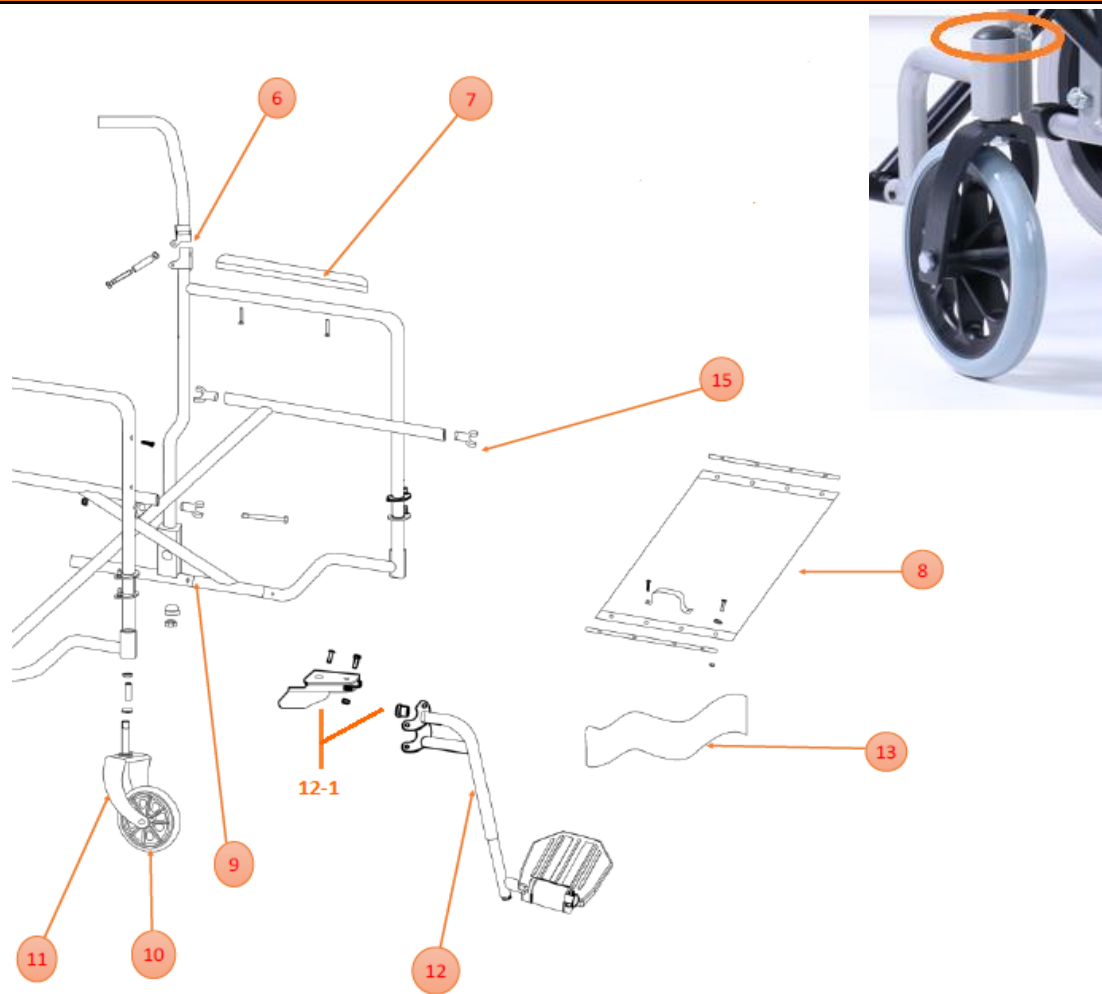
Drawing No.	Item No.	Description	Purchase Price
1	51350100	Back upholstery with screws	€ 35,00
2	11350000	Handgrip	€ 5,13
3	71350000	Brake lever with handgrip and cable pair	€ 37,00
3-1	91353001	Brake lever M4*8 screws	€ 5,95
4	31350000	Side panel Left	€ 16,65
	31350010	Side panel Right	€ 16,65
5	11350100	Tipping cap	€ 12,90
6	11350300	Fold back mechanism pair	€ 28,00
7	31352020	Arm pad	€ 33,84
16	41350000	12"PU Real Wheel	€ 68,90
17	41350010	Rear axle bolt	€ 8,90
	11350400	Side Frame set (Left+Right)	€ 105,00

## CE-D09 Spare parts list



Identification number: TCF-VOMNL -0135C  
 Product group: Manual wheelchair  
 Productname: Excel Access  
 Batchnumber: 4146

### Front end



10-2

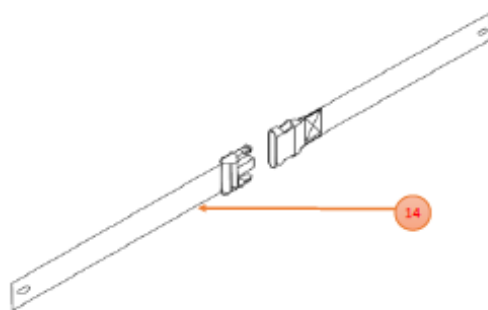
Drawing No.	Item No.	Description	Purchase Price
8	51350150	Seat upholstery with screws	€ 35,00
9	21350000	Cross frame	€ 70,00
10	81350000	Front wheel 8" with bearing	€ 25,00
10-1	81350010	Bearing set for the front wheels	€ 14,50
10-2	81350015	Front dusk cap	€ 9,60
11	81350100	Front fork	€ 37,50
12	61350010	Footrest Left	€ 55,00
	61350015	Footrest Right	€ 55,00
12-1	61350030	Revision set (Left+Right)	€ 16,95
13	61350020	Calf strap	€ 14,95
15	21350001	Seat Rail Guide	€ 8,95

## CE-D09 Spare parts list



Identification number: TCF-VOMNL -0135C  
Product group: Manual wheelchair  
Productname: Excel Access  
Batchnumber: 4146

### Accessories



### Accessories

Drawing No.	Item No.	Description	Purchase Price
14	90280900	Safety belt	€ 62,51