

CE-D09 Spare parts list



Identification number: TCF-VOMNL- 0136-09E
Product group: Manual wheelchair
Productname: Excel G-lite pro
Batchnumber:

Complete

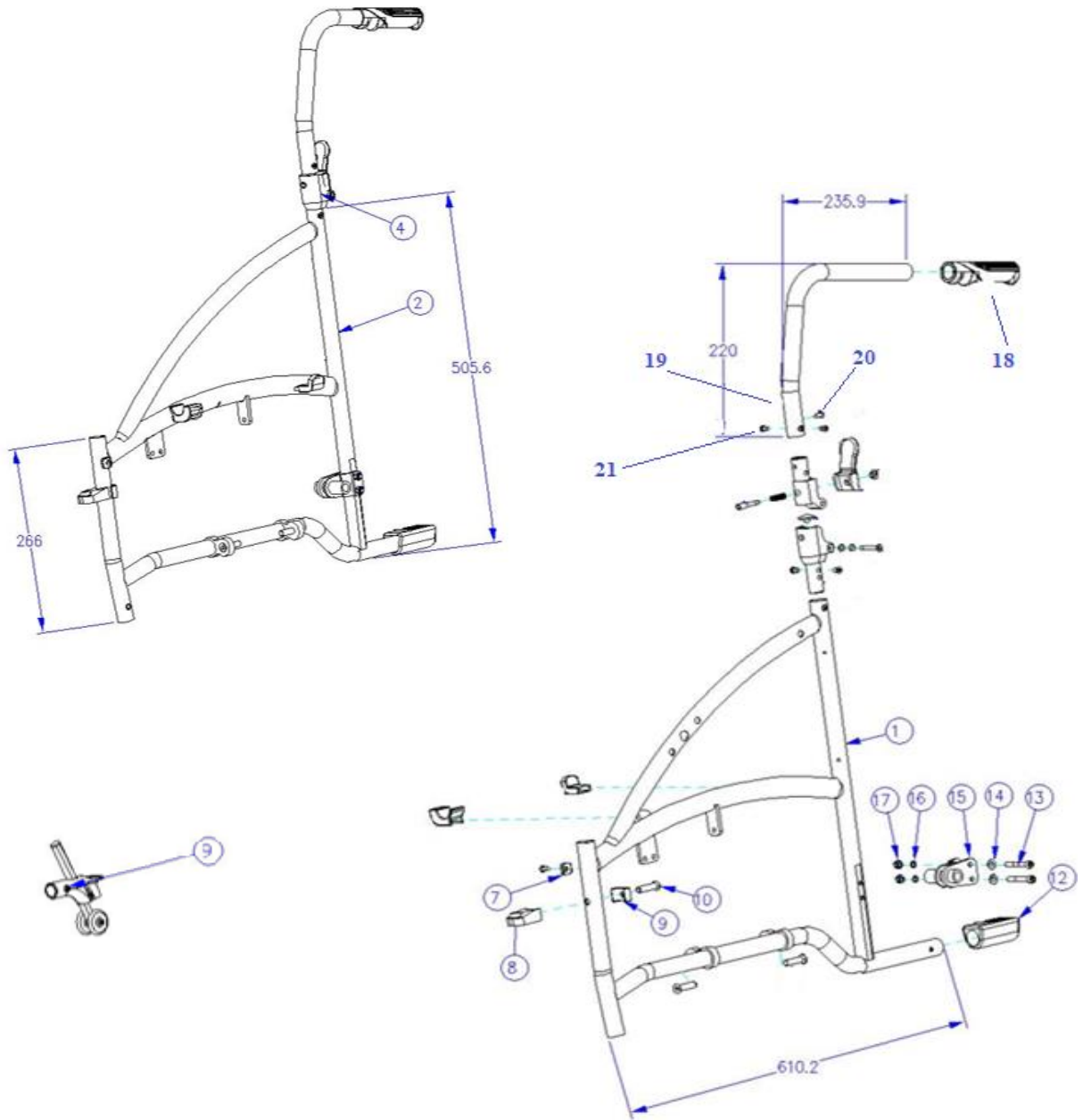


CE-D09 Spare parts list



Identification number: TCF-VOMNL- 0136-09E
 Product group: Manual wheelchair
 Productname: Excel G-lite pro
 Batchnumber:

Sideframe



Drawing No.	Item No.	Description	Purchase Price
1	13370043	Side frame Left	€ 240,71
2	13370143	Side frame Right	€ 240,71
4	11371016	Fixationmechanism with lever for fordable backtube	€ 52,00
7 to 10	12362000	Footrest fixation block (plastic)	€ 13,80

CE-D09 Spare parts list



Identification number: TCF-VOMNL- 0136-09E
Product group: Manual wheelchair
Productname: Excel G-lite pro
Batchnumber:

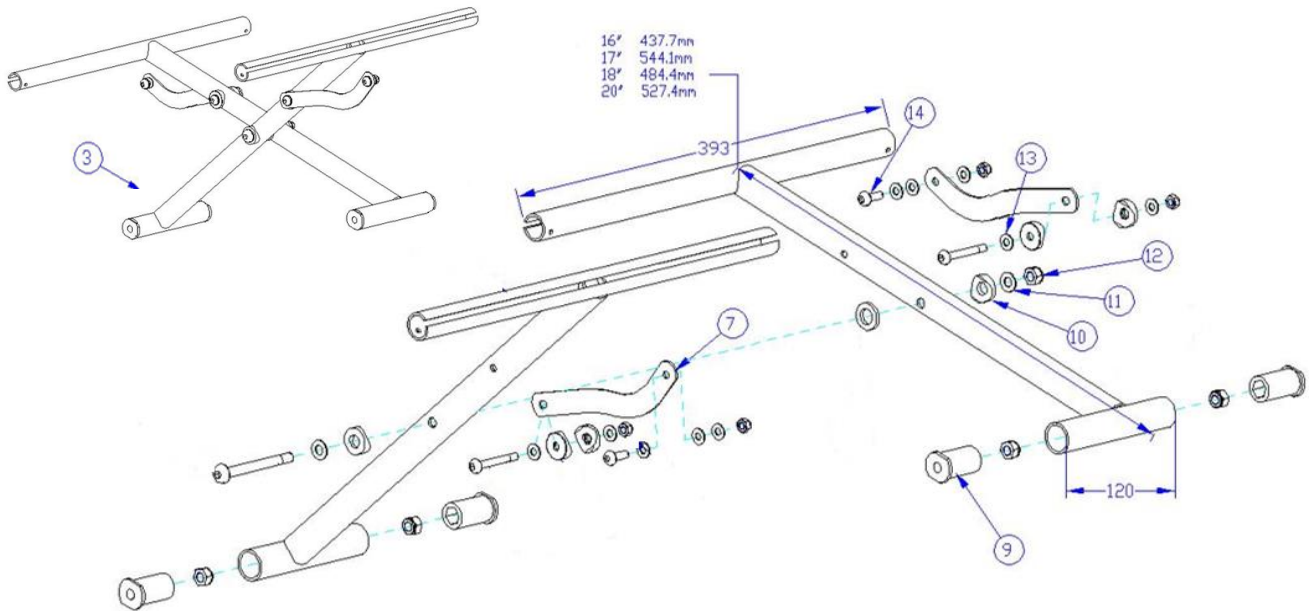
9	92137012	Anti-tipper, set of 2 pieces	€	118,53
12	11373700	Stepper	€	15,22
13 to 17	13372011	Axel bracket, (sleeve/ring/nut)	€	15,82
18 to 21	AT467-3-S	Push handle; Silver	€	24,84

CE-D09 Spare parts list



Identification number: TCF-VOMNL- 0136-09E
 Product group: Manual wheelchair
 Productname: Excel G-lite pro
 Batchnumber:

Crossframe



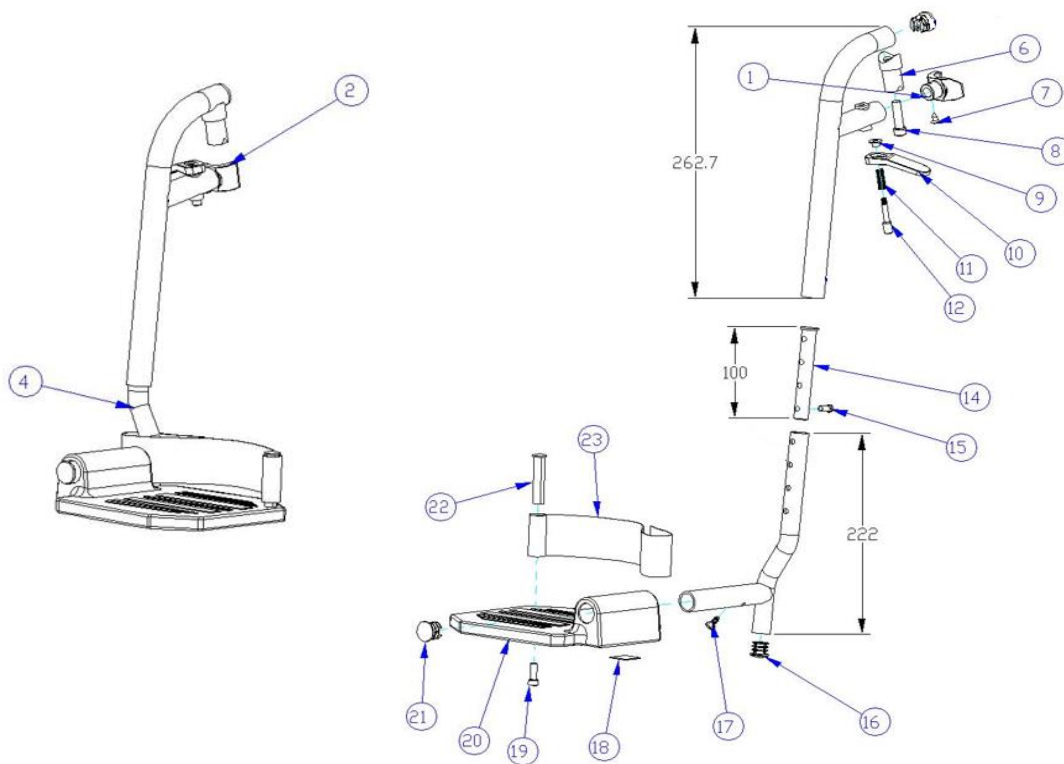
Drawing No.	Item No.	Description	Purchase Price
3	23377040	Cross bar complete incl. folding mechanism, seat width 40cm	€ 123,12
	23377045	Cross bar complete incl. folding mechanism, seat width 45cm	€ 123,12
	23377050	Cross bar complete incl. folding mechanism, seat width 50 cm	€ 123,12
7	23371600	Folding mechanism black for cross bar, seat width 40 cm	€ 15,22
	23371601	Folding mechanism black for cross bar, seat width 45 cm	€ 15,22
	23371602	Folding mechanism black for cross bar, seat width 50 cm	€ 15,22
9	21370000	Spacer tube, nut, screw for crossframe (set of 4)	€ 40,69
10 to 14	-	Not available as spare part	-

CE-D09 Spare parts list



Identification number: TCF-VOMNL- 0136-09E
 Product group: Manual wheelchair
 Productname: Excel G-lite pro
 Batchnumber:

Legrest



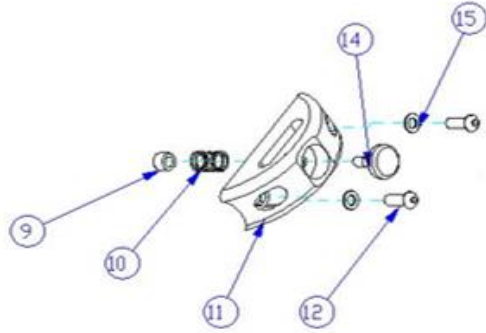
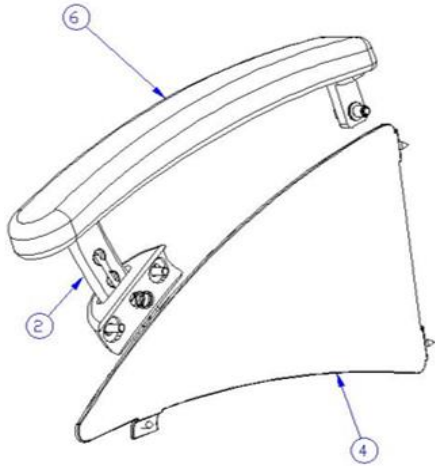
Drawing No.	Item No.	Description	Purchase Price
1; 6 to 12	61372200	Revision set for footrest Left	€ 44,96
2	61372205	Revision set for footrest Right	€ 44,96
4	63374200	Footrest complete, seat width 40/50 cm Left	€ 103,75
	63374210	Footrest complete, seat width 40/50 cm Right	€ 103,75
	63373020	Elevating legrest complete, 2nd generation, seat width 40/50 cm Left	€ 199,01
	63373030	Elevating legrest complete, 2nd generation, seat width 40/50 cm Right	€ 199,01
	AL-005	Elevating legrest 40-50 cm (set) Batch: 6936, 6937, 7325, 7326, 7327, 7328	€ 150,00
14 + 15	63375000	Spacer tube for adjusting under leg tube	€ 29,48
	15	Countersunk Screw for legrest (set of 10)	€ 10,61
3; 16 to 23	63373240	Footplate with connection pipe Left	€ 81,62
	63373250	Footplate with connection pipe Right	€ 81,62
	23	Heel loop, nylon complete with mounting material	€ 19,37

CE-D09 Spare parts list



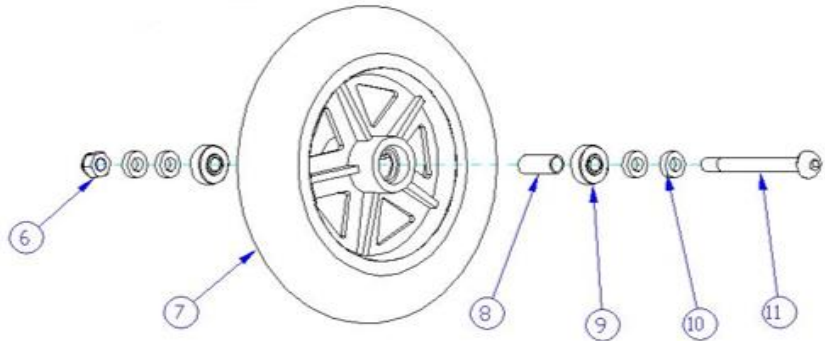
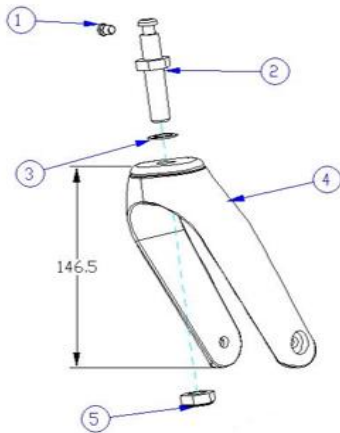
Identification number: TCF-VOMNL- 0136-09E
 Product group: Manual wheelchair
 Productname: Excel G-lite pro
 Batchnumber:

Armrest



Drawing No.	Item No.	Description	Purchase Price
6 + 2	31370000	Armpad with height adjustable kit Left	€ 123,12
	31370010	Armpad with height adjustable kit Right	€ 123,12
4	33370100	Sideplate armrest Left	€ 18,50
	33370110	Sideplate armrest Right	€ 18,50
9 to 10; 14	31371005	Pushbutton + spring for armrest	€ 5,90
9 to 15	31371015	Height adjustable kit for armrest Left/Right	€ 26,89

Front fork + front wheel



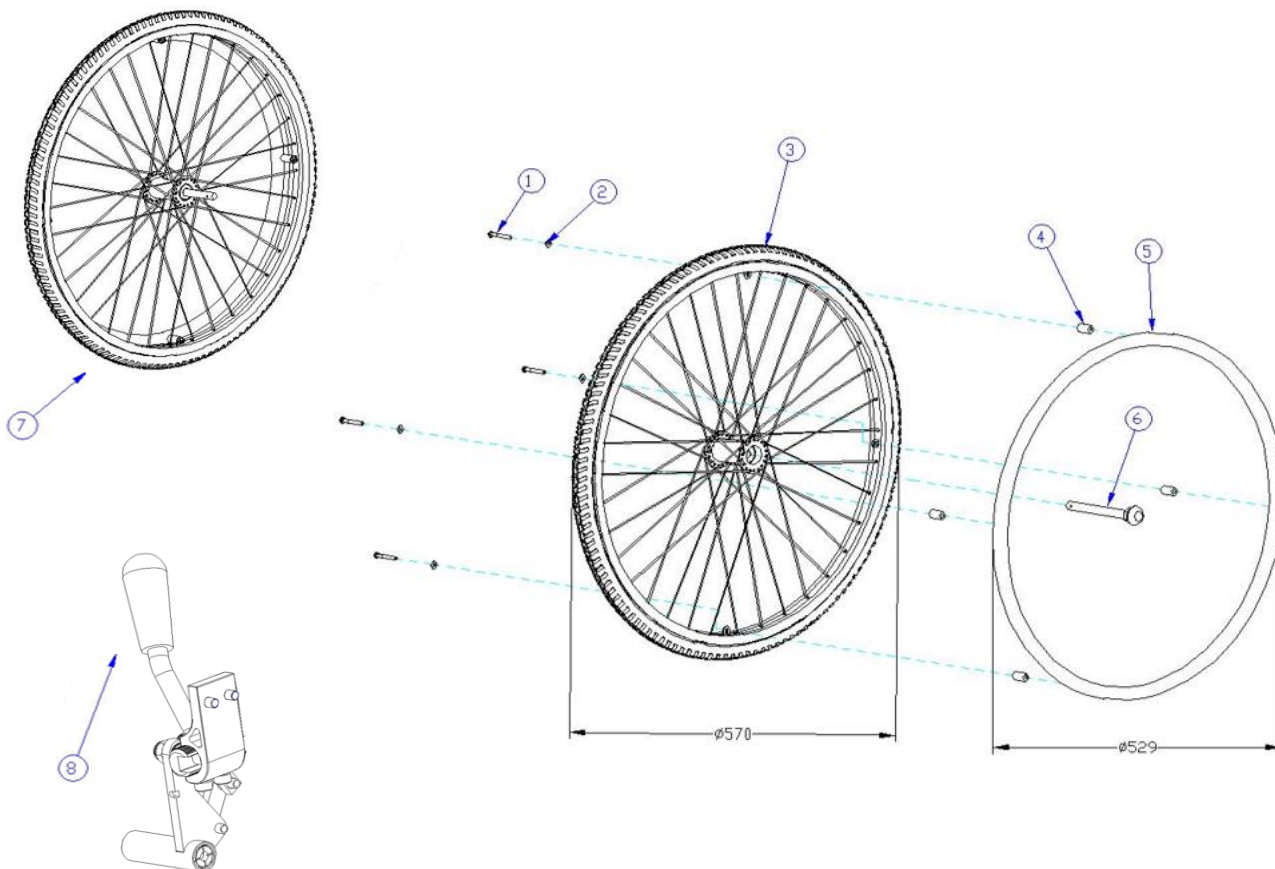
Drawing No.	Item No.	Description	Purchase Price
1 to 5	91370155	Front fork Left/Right for 7" front wheel	€ 34,52
6 to 10	80080000	Front wheel, 7" x 1¼", complete with bearings, PU	€ 41,50

CE-D09 Spare parts list



Identification number: TCF-VOMNL- 0136-09E
 Product group: Manual wheelchair
 Productname: Excel G-lite pro
 Batchnumber:

Rear wheel + Brake



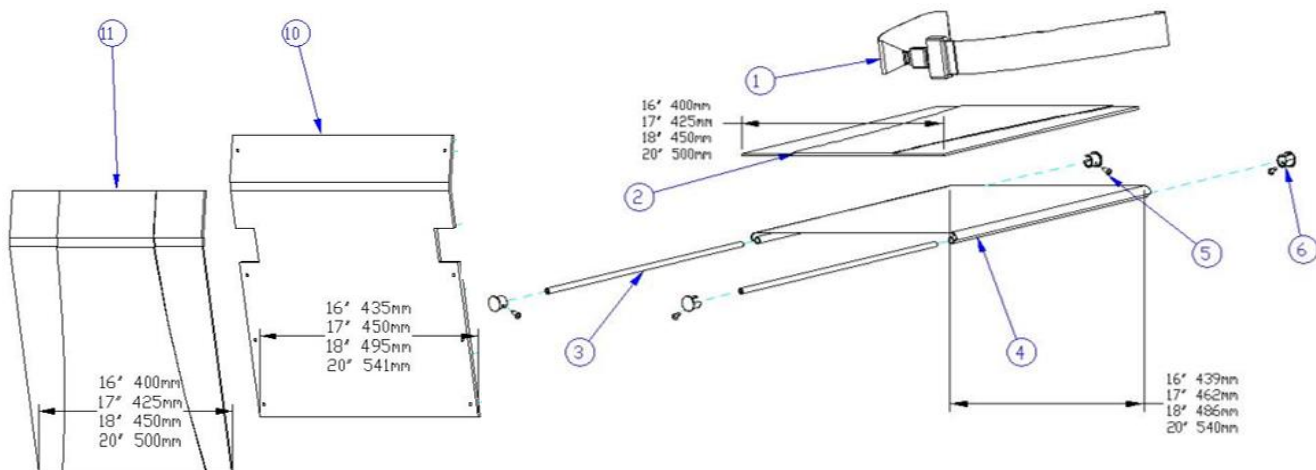
Drawing No.	Item No.	Description	Purchase Price
1;2 & 4	40136092	Handrim distance bushes incl. bolt (4 pieces)	€ 6,40
3	40010000	Outer tire 24"x 1 3/8" Air	€ 20,75
4 to 5	-	Not available as spare part	-
6	40081000	Quick-release axle with design cap, 13.0 cm	€ 17,98
7	43370014	24" x 1 3/8" rear wheel PU Left/Right	€ 152,49
	43370104	24" x 1 1/4" rear wheel Air Left/Right	€ 179,84
8	71370000	Brake complete, Left	€ 31,19
	71370010	Brake complete, Right	€ 31,19

CE-D09 Spare parts list



Identification number: TCF-VOMNL- 0136-09E
 Product group: Manual wheelchair
 Productname: Excel G-lite pro
 Batchnumber:

Back & seat + accessoires



Drawing No.	Item No.	Description	Purchase Price
1	90280900	Seat fixationbelt (with hole)	€ 62,51
2 & 11	53373040	Seat and back upholstery 40 x 42 cm Blue	€ 81,38
	53373045	Seat and back upholstery 45 x 42 cm Blue	€ 81,38
	53373050	Seat and back upholstery 50 x 42 cm Blue	€ 81,38
4	53371040	Seat canvas 40 cm	€ 51,75
	53371045	Seat canvas 45 cm	€ 51,75
	53371050	Seat canvas 50 cm	€ 51,75
3 to 6	-	Not available as spare part	-
10	53372040	Back canvas 40 cm	€ 51,75
	53372045	Back canvas 45 cm	€ 51,75
	53372050	Back canvas 50 cm	€ 51,75
-	90131010	Crutchholder with mounting material and 4 stauff blocks	€ 26,54