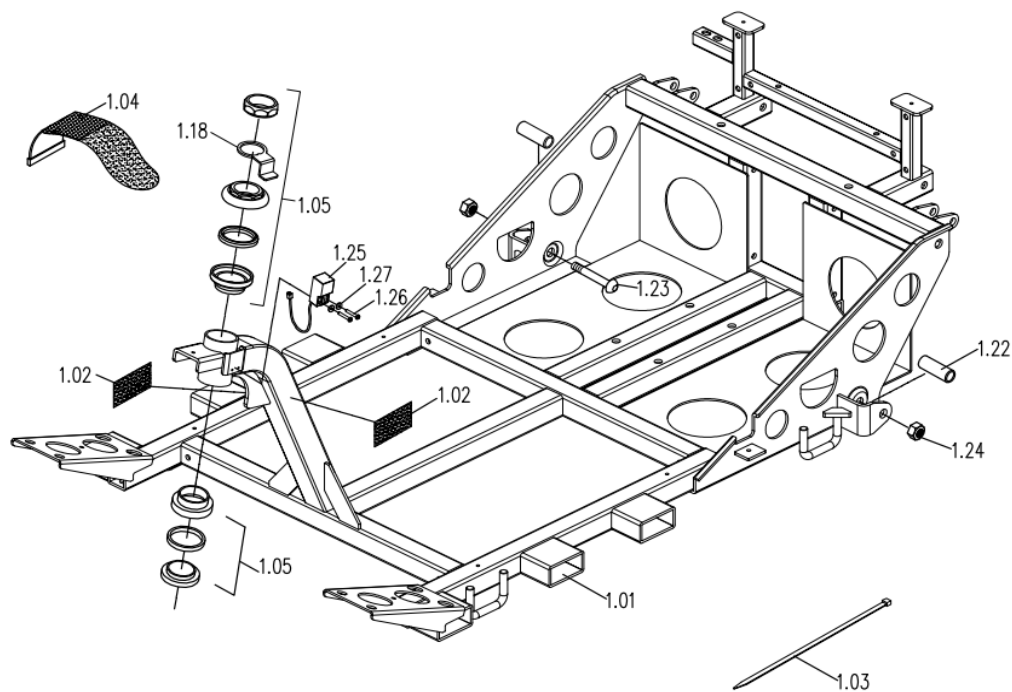


## CE-D09 Spare parts list



Identification number: TCF-VOMNL-0973-14D  
 Product group: Mobility Scooter  
 Productname: Excel Galaxy II EVO 3  
 Batchnumber: From 6694

### Frame



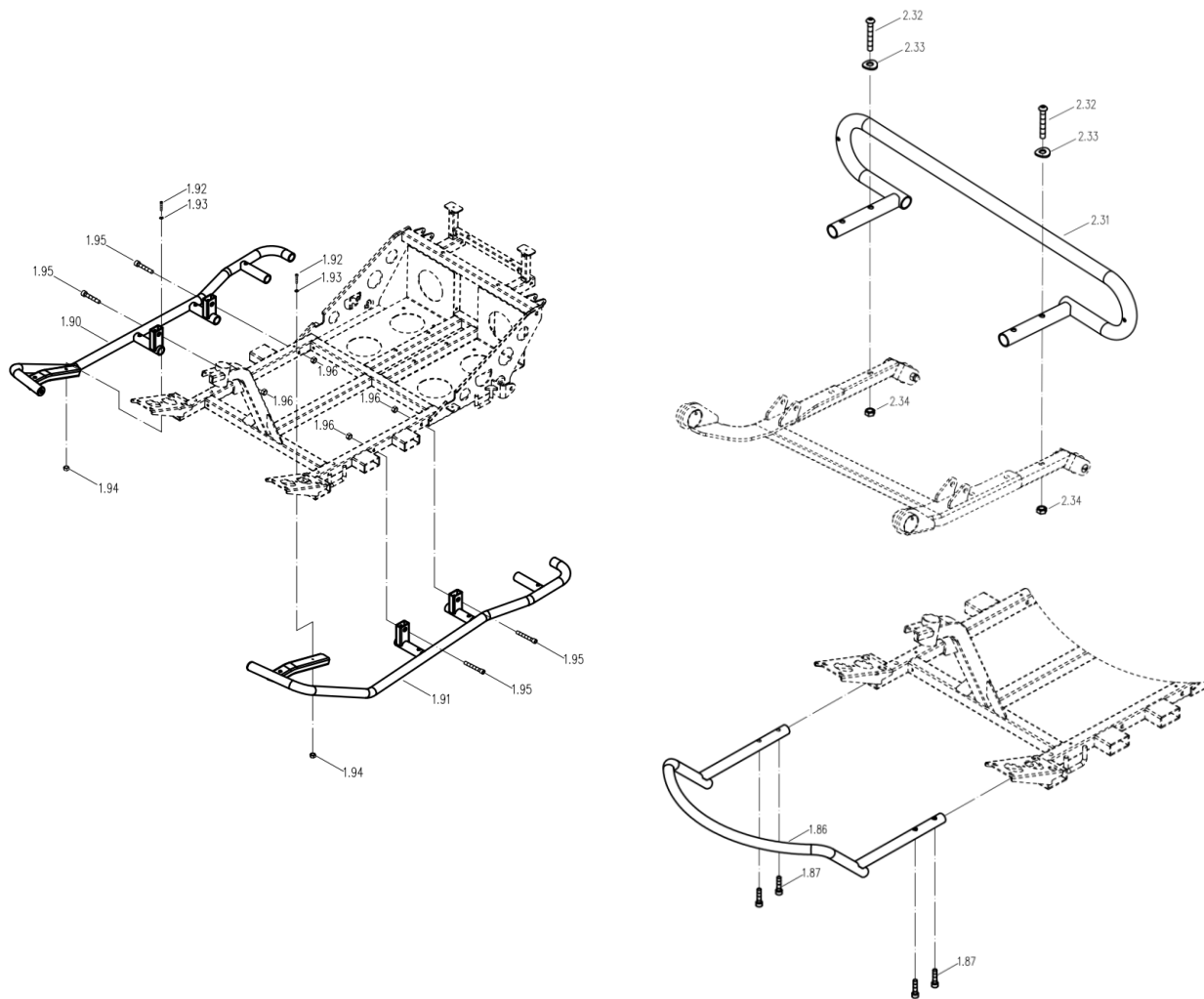
Drawing No.	Item No.	Description	Price
1.01	99731370	Front Frame	€ 1.326,43
1.02 to 1.03	-	Not available as spare part	-
1.04	93132040	Battery strap 50x660L	€ 19,37
1.05	93130010	Bearing set of the bearing house	€ 35,97
1.18 t/m 1.24	-	Not available as spare part	-
1.25 to 1.27	7563742003	Sensor half speed	€ 14,83

## CE-D09 Spare parts list



Identification number: TCF-VOMNL-0973-14D  
 Product group: Mobility Scooter  
 Productname: Excel Galaxy II EVO 3  
 Batchnumber: From 6694

### Bumper Assembly



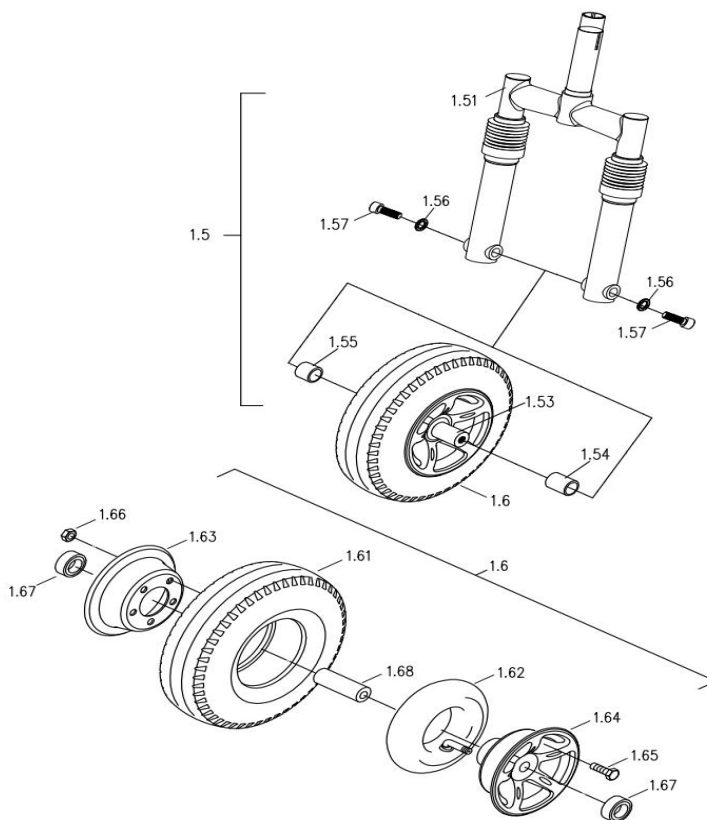
Drawing No.	Item No.	Description	Price
1.86 to 1.90	99730021	Front bumper	€ 15,87
1.91 & 2.31	99730100	Bumperkit	€ 290,74
1.92 to 1.96	-	Not available as spare part	-

## CE-D09 Spare parts list



Identification number: TCF-VOMNL-0973-14D  
 Product group: Mobility Scooter  
 Productname: Excel Galaxy II EVO 3  
 Batchnumber: From 6694

### Front Wheel Assembly



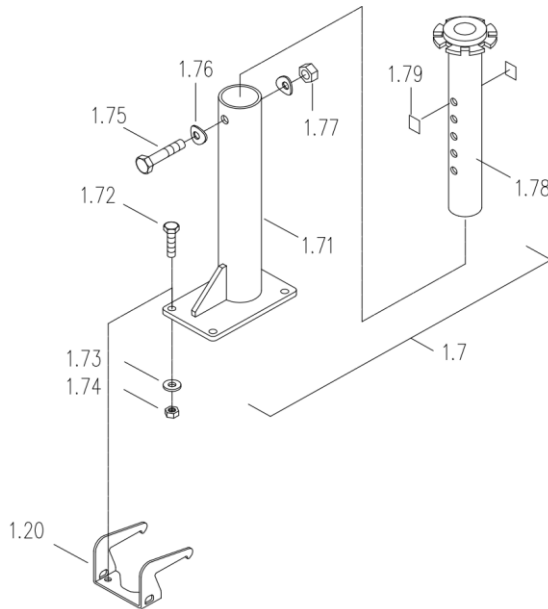
Drawing No.	Item No.	Description	Price
1.5	33100959	Front wheel with front fork Assembly	€ 259,80
1.51	99730530	Front fork complete	€ 109,29
1.53	41380254	Front wheel axle	€ 12,74
1.53 t/m 1.57	3990LM37	Front axle kit	€ 15,00
1.6	33100M14	Front wheel complete	€ 151,00
1.61	44689214	Outer tire 4.00-5 (C154) puncture resistant	€ 169,00
1.62	93130690	Inner tire 4.00-5	€ 34,59
1.63	-	Not available as spare part	
1.64	42589136	Front wheel rim 5" black	€ 60,00
1.67	53300028	Bearing set for the front wheel (set of 2 pcs)	€ 6,90
1.65, 1.66, 1.68	-	Not available as spare part	

## CE-D09 Spare parts list



Identification number: TCF-VOMNL-0973-14D  
 Product group: Mobility Scooter  
 Productname: Excel Galaxy II EVO 3  
 Batchnumber: From 6694

### Seat post assembly



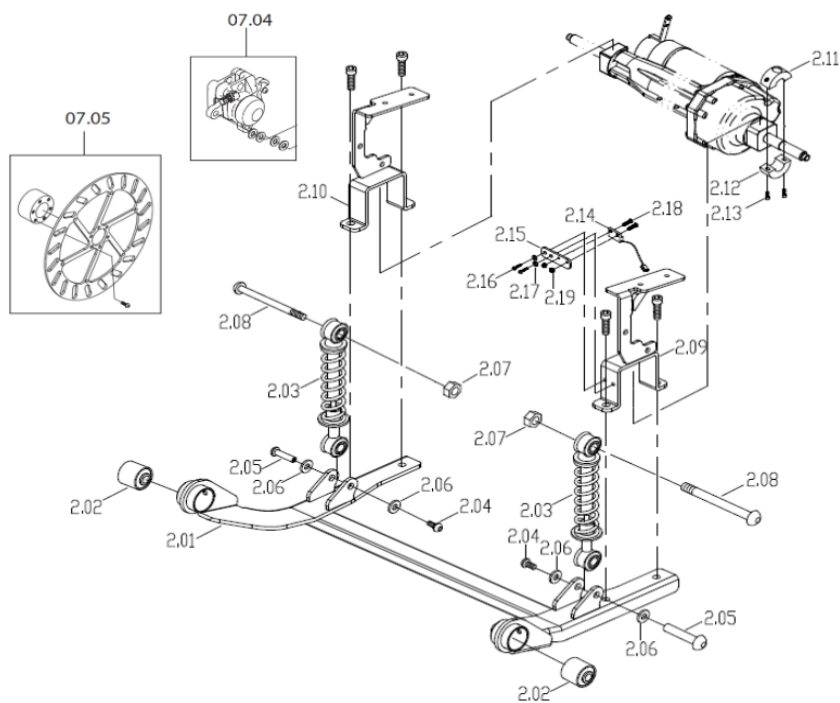
Drawing No.	Item No.	Description	Price	
1.7	93130750	Seat post assembly	€	194,72
1.71	95130280	Lower seat post	€	39,33
1.72 to 1.74	93130770	Mountingset seatpost (4x bolt, 4x nut, 4x washer)	€	27,67
1.75 to 1.77	-	Not available as spare part	-	
1.78	95130315	Seat post tube without suspension	€	229,96
	93130755	Seat post with suspension	€	105,90
	44600321	Rubber ring for seat tube	€	7,20
1.79	-	Not available as spare part	-	
1.20	95130275	Hook of battery belt	€	18,10

## CE-D09 Spare parts list



Identification number: TCF-VOMNL-0973-14D  
 Product group: Mobility Scooter  
 Productname: Excel Galaxy II EVO 3  
 Batchnumber: From 6694

### Rear frame assembly



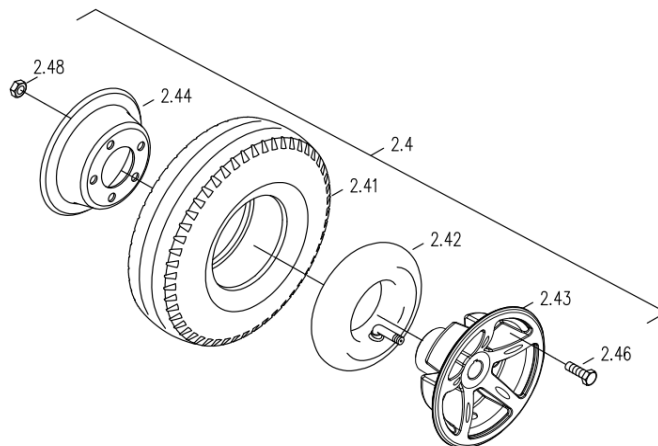
Drawing No.	Item No.	Description	Price
2.01	99700120	Rear frame complete excl. Anti-tip wheels	€ 726,92
2.02	-	Not available as spare part	-
2.03	95130335	Suspension springs, 165L(550LBS/IN)	€ 83,99
2.04 to 2.08	-	Not available as spare part	-
2.09 to 2.10	99730385	Mounting set for mounting the transaxle	€ 120,71
2.11 to 2.13	41300442	Magnet for sensor odometer	€ 26,68
2.14	61090063	Sensor for odometer	€ 11,39
2.15	41200487	Bracket for sensor odometer	€ 2,60
2.16 to 2.19	-	Not available as spare part	-
07.04	92201324	Brake for disc brake	€ 80,79
07.05	99707160	Disc brake	€ 48,42

## CE-D09 Spare parts list



Identification number: TCF-VOMNL-0973-14D  
 Product group: Mobility Scooter  
 Productname: Excel Galaxy II EVO 3  
 Batchnumber: From 6694

### Rear wheel assembly



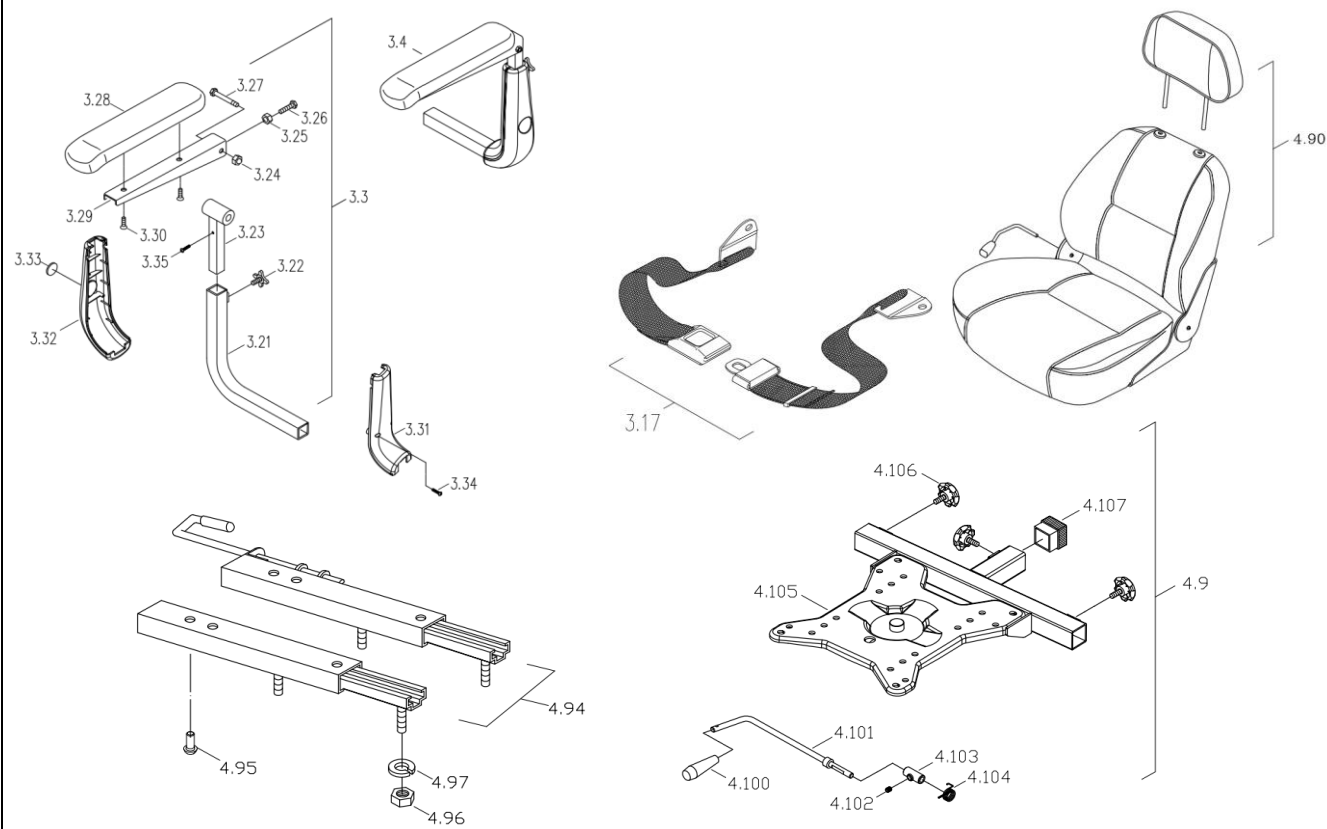
Drawing No.	Item No.	Description	Price	
2.4	32600645	Rear wheel complete	€	186,60
2.41	44689214	Outer tire 4.00-5 (C154) puncture resistant	€	169,00
2.42	93130690	Inner tire 4.00-5	€	34,59
2.43	42589137	Rear wheel rim 5" black	€	67,00
2.44 to 2.48	-	Not available as spare part	-	

## CE-D09 Spare parts list



Identification number: TCF-VOMNL-0973-14D  
 Product group: Mobility Scooter  
 Productname: Excel Galaxy II EVO 3  
 Batchnumber: From 6694

### Seat Assembly



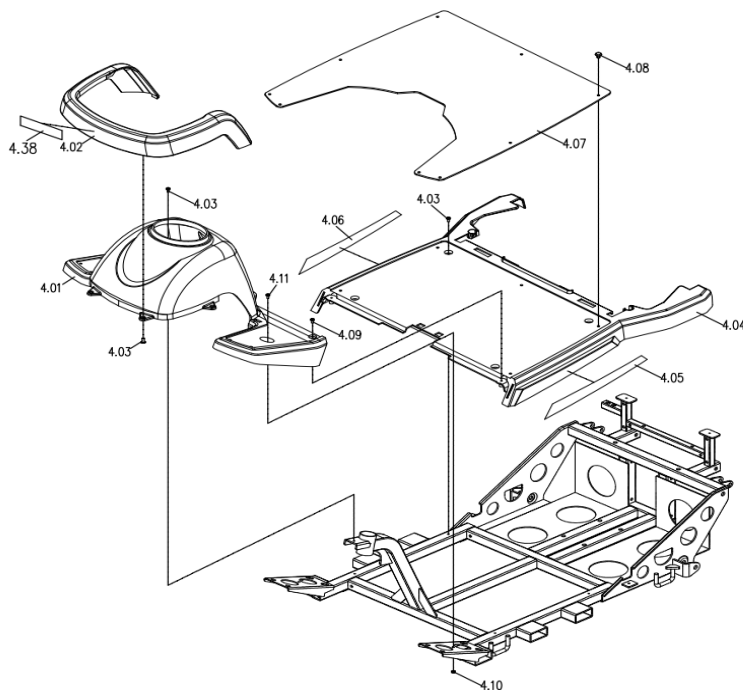
Drawing No.	Item No.	Description	Price	
3.17	90360200	Seat safety belt	€	17,63
3.3	93900030	Armrest Right	€	156,32
3.4	93900020	Armrest Left	€	156,32
3.21 to 3.27	-	Not available as spare part	-	
3.22	95030545	Knob, M8*15L	€	2,77
3.28	93131370	Arm pad Black	€	33,20
3.29 to 3.30	-	Not available as spare part	-	
3.31 to 3.34	95030590	Protective cover armrest, ABS Black, Left	€	20,34
	95030595	Protective cover armrest, ABS Black, Right	€	20,34
3.35	-	Not available as spare part	-	
4.94 to 4.97	93130960	Slide mechanism complete	€	91,30
4.90	93130861	Excellence EVO seat with angle adjust back- and headrest, Black	€	870,65
4.9	93130870	Seat base, including fixation lever	€	170,55
4.100 to 4.104	99700870	Fixation lever for the seat base	€	34,59
4.105	-	Not available as spare part	-	
4.106	43600270	Knob, M10*13L	€	1,40
4.107	-	Not available as spare part	-	

## CE-D09 Spare parts list



Identification number: TCF-VOMNL-0973-14D  
 Product group: Mobility Scooter  
 Productname: Excel Galaxy II EVO 3  
 Batchnumber: From 6694

### Front shroud assembly



Drawing No.	Item No.	Description	Price	
4.01	43690783	Front shroud cover (front)	€	63,00
4.02	30554061	Front bumper Thunder Grey	€	46,20
4.03	-	Not available as spare part	-	
4.04 to 4.06	43690780	Footplate black	€	43,48
4.05 to 4.06	39900240	Reflector label White, Left/Right set	€	5,94
4.07	39734000	Rubber mat, Black	€	58,94
4.08 to 4.38	-	Not available as spare part	-	

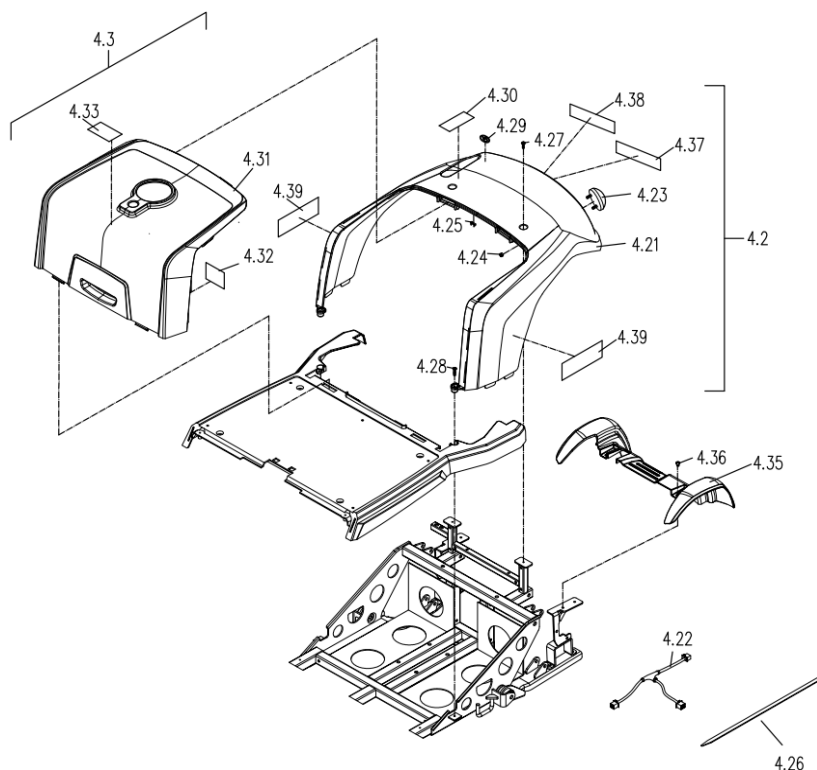


## CE-D09 Spare parts list



Identification number: TCF-VOMNL-0973-14D  
 Product group: Mobility Scooter  
 Productname: Excel Galaxy II EVO 3  
 Batchnumber: From 6694

### Rear shroud



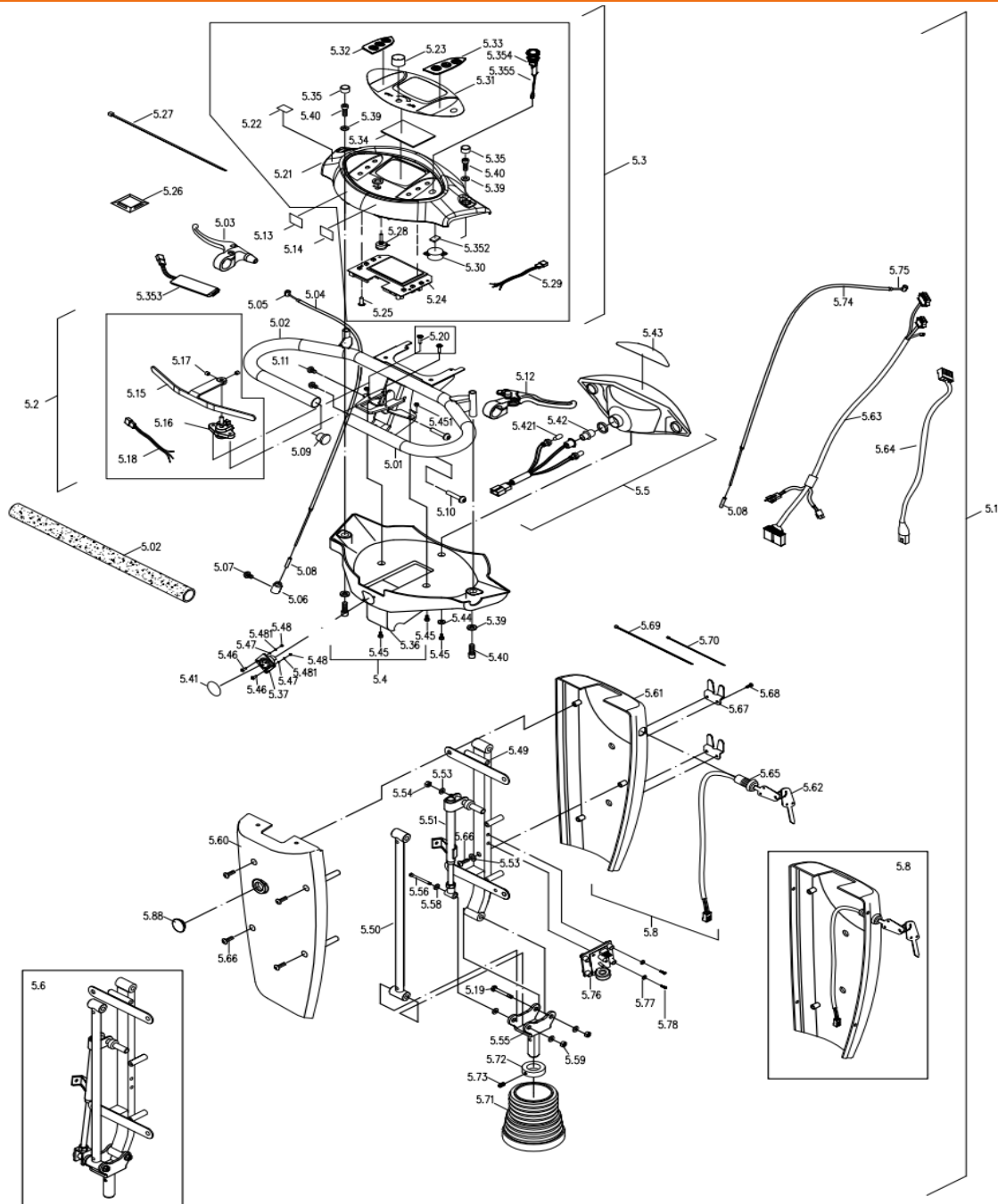
Drawing No.	Item No.	Description	Price
4.2	30554M02	Rear shroud complete Thunder Grey	€ 398,40
4.21	30554045	Rear shroud Thunder Grey	€ 115,80
4.22	79732500	Taillight cable	€ 12,32
4.23	7561200199	Taillight complete	€ 107,65
4.24 to 4.30; 4.32; 4.33; 4.37 & 4.38	-	Not available as spare part	-
4.3	30300M21	Battery cover complete	€ 41,34
4.31	43690781	Battery cover black	€ 40,20
4.35	43690784	Fender cover black	€ 27,60
4.36	-	Not available as spare part	-

# CE-D09 Spare parts list



Identification number: TCF-VOMNL-0973-14D  
Product group: Mobility Scooter  
Productname: Excel Galaxy II EVO 3  
Batchnumber: From 6694

## Tiller



## CE-D09 Spare parts list



Identification number: TCF-VOMNL-0973-14D  
 Product group: Mobility Scooter  
 Productname: Excel Galaxy II EVO 3  
 Batchnumber: From 6694

### Tiller

Drawing No.	Item No.	Description	Price
5.1	33554M01	Tiller complete Thunder Grey with LCD	€ 1.323,00
5.01	39935101	Steering wheel including foam	€ 72,24
5.02	97061340	Foam sleeve $\phi 30 * \phi 20 * 355L(18")$	€ 44,27
5.03 to 5.08	97001540	Handle compleet for tiller adjustment	€ 30,44
5.09 to 5.11	-	Not available as spare part	-
5.12 & 5.75	99700110	Lever brake incl. brake cable	€ 44,24
5.13 to 5.14; 5.74	-	Not available as spare part	-
5.2	33500799	Throttle lever complete with potentiometer & LCD cable	€ 111,45
5.15	-	Not available as spare part	-
5.16	61020023	Throttle potentiometer VR5K, CTS, 576S0083	€ 79,96
5.17 to 5.20	-	Not available as spare part	-
5.3	30554M05	Upper dashboard assembly LCD with emergency button, Thunder Grey	€ 398,40
5.21 to 5.22	-	Not available as spare part	-
5.23	61180189	Speed adjustment knob, LCD	€ 6,90
5.24	61108302	PC-Board LCD	€ 224,40
5.25 to 5.27	-	Not available as spare part	-
5.28	61020006	Potentiometer speed, VR30K, COSMOS RV24 (LCD)	€ 17,27
5.29	-	Not available as spare part	-
5.30	61170013	Claxon tbv LCD	€ 13,48
5.31	75171554	Dashboard foil for LCD	€ 35,97
5.32	44689128	Key pad Left	€ 10,47
5.33	44689129	Key pad Right	€ 10,47
5.34	43690399	LCD cover board	€ 13,23
-	91010970	Mirror set Left/Right	€ 36,56
5.35	43600156	Cover cap mirror Black (Set of 10)	€ 2,60
5.351 to 5.352	-	Not available as spare part	-
5.353	63453028	Polarity conversion line for rear light	€ 29,20
5.354	61098058	Emergency stop button	€ 38,92
5.355	63770837	Emergency stop switch cable	€ 2,83
5.63	631M0013	Main cable LCD LFP4	€ 147,00
5.64	7563742003	Sensor half speed	€ 14,83
5.4	30554M04	Lower dashboard cover assembly Thunder Grey	€ 94,00
5.36	-	Not available as spare part	-
5.37	33700498	Charge plug LFP4	€ 34,00
5.39 to 5.41	-	Not available as spare part	-
5.5	97031100	Head light assembly with cable	€ 99,60
5.42	99700073	Head light bulb 12V/15W	€ 31,19
5.421	61200037	Indicator bulb Orange 12V/15W, set of 5 pcs	€ 17,46
5.43 to 5.481	-	Not available as spare part	-
5.6	99701855	Frame for tiller adjustment	€ 330,63
5.51	97061450	Gasspring for tiller adjustment	€ 89,92
5.49 to 5.54	-	Not available as spare part	-
5.55	95130855	Tiller fixation square	€ 76,09
5.56 to 5.59	-	Not available as spare part	-
5.60	43690768	Tiller cover rear, Black	€ 62,00
5.8	30554M03	Tiller front cover, Thunder Grey	€ 106,00

## CE-D09 Spare parts list



Identification number: TCF-VOMNL-0973-14D  
 Product group: Mobility Scooter  
 Productname: Excel Galaxy II EVO 3  
 Batchnumber: From 6694

### Tiller

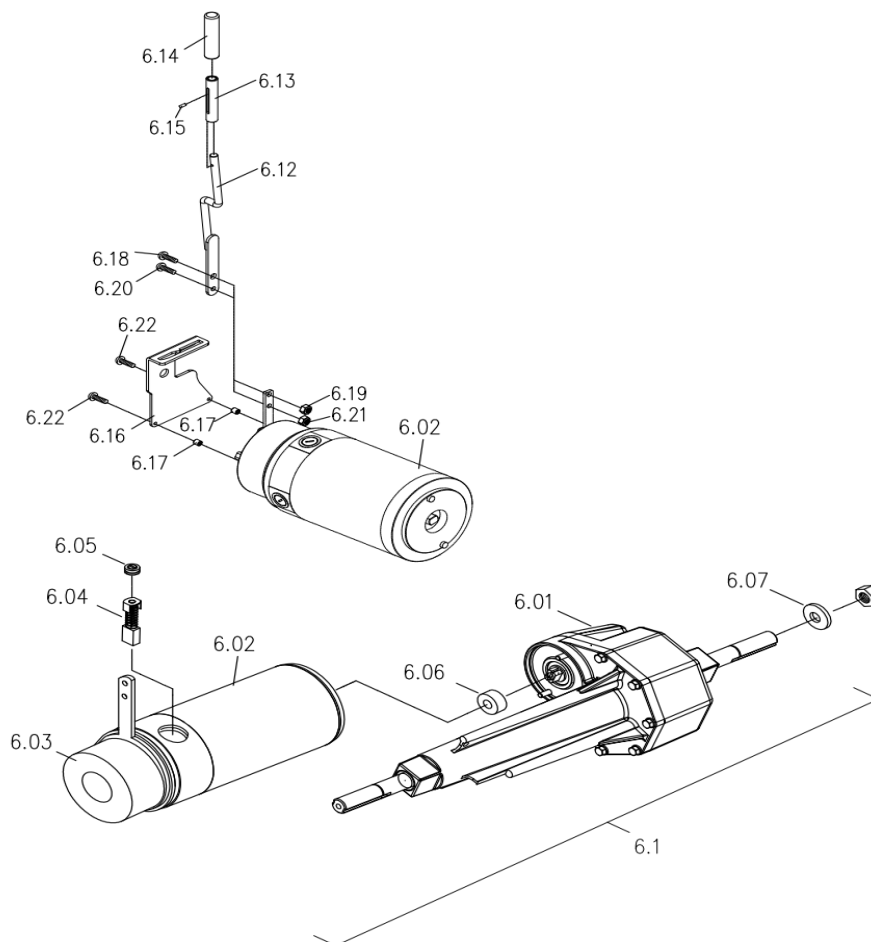
Drawing No.	Item No.	Description	Price
5.61; 5.68 to 5.70	-	Not available as spare part	-
5.62	7542600001	Key, 2 pcs	€ 3,98
5.65	97361880	Ignition switch with connecting wire	€ 29,05
5.66	-	Not available as spare part	-
5.67	93131900	Basket bracker, 2 pcs	€ 24,90
5.71	99701110	Rubber boot under steering column	€ 27,67
5.72	95130925	Clamp ring	€ 6,38
5.73 to 5.77 & 5.88	-	Not available as spare part	-
5.76 to 5.78	61100069	Power convert board	€ 78,12

## CE-D09 Spare parts list



Identification number: TCF-VOMNL-0973-14D  
 Product group: Mobility Scooter  
 Productname: Excel Galaxy II EVO 3  
 Batchnumber: From 6694

### Transaxle



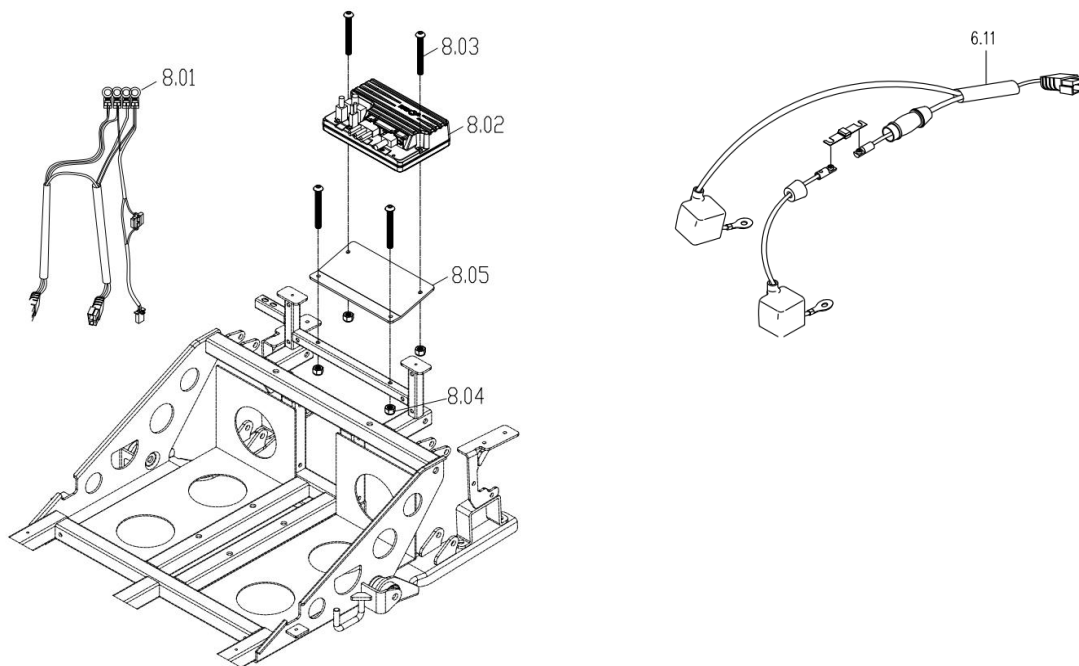
Drawing No.	Item No.	Description	Price
6.1	62009151	Transaxle, motor and motorbrake assembly M417QZ-25	€ 1.287,60
6.01	97041980	Transaxle	€ 753,95
6.02	62109128	Motor, M4QZ-25 (4P)	€ 699,60
6.03	99731995	Motorbrake for Motor M417QZ-25	€ 213,04
6.04 to 6.05	99702010	Carbon brush including covers (4 pieces) for motor M4A	€ 35,97
6.06	93132030	Clutch between motor and transaxle	€ 17,98
6.07	-	Not available as spare part	-
6.12 to 6.21	97300735	Freewheel lever complete	€ 24,44
6.14	7543690220	Rubber tip for release lever	€ 17,69
6.22	-	Not available as spare part	-

## CE-D09 Spare parts list



Identification number: TCF-VOMNL-0973-14D  
 Product group: Mobility Scooter  
 Productname: Excel Galaxy II EVO 3  
 Batchnumber: From 6694

### Controller



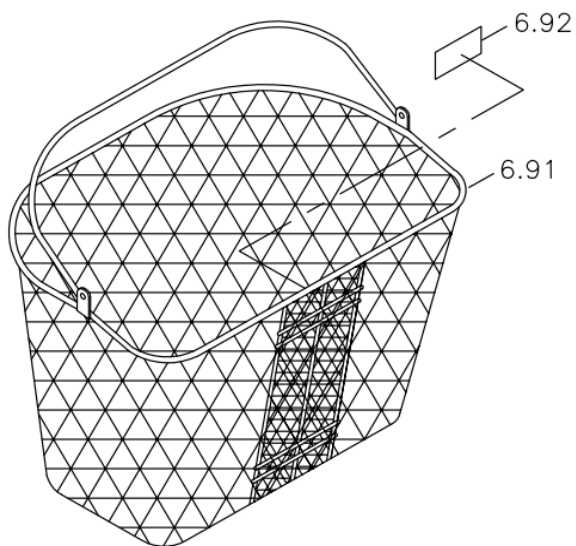
Drawing No.	Item No.	Description	Price
8.01	633M0018	Power harness between battery and controlbox (Rhino 2)	€ 62,00
8.02	64510007	DS120 Controller (Rhino 2)	€ 729,40
8.03 tot 8.05	-	Not available as spare part	-
6.11	63270424	Battery connection cable with 80A fuse (1 pcs)	€ 74,60

## CE-D09 Spare parts list



Identification number: TCF-VOMNL-0973-14D  
 Product group: Mobility Scooter  
 Productname: Excel Galaxy II EVO 3  
 Batchnumber: From 6694

### Basket & accessoires



Drawing No.	Item No.	Description	Price	
6.91 to 6.92	92601330	Basket front Wire mesh	€	47,47
-	90100030	Crutch holder de-luxe	€	80,20
-	93810670	Accu 50 Ah/ 24V, LiFePO4	€	637,61
-	93810357	Charger 8Ah/24V. lithium	€	273,48