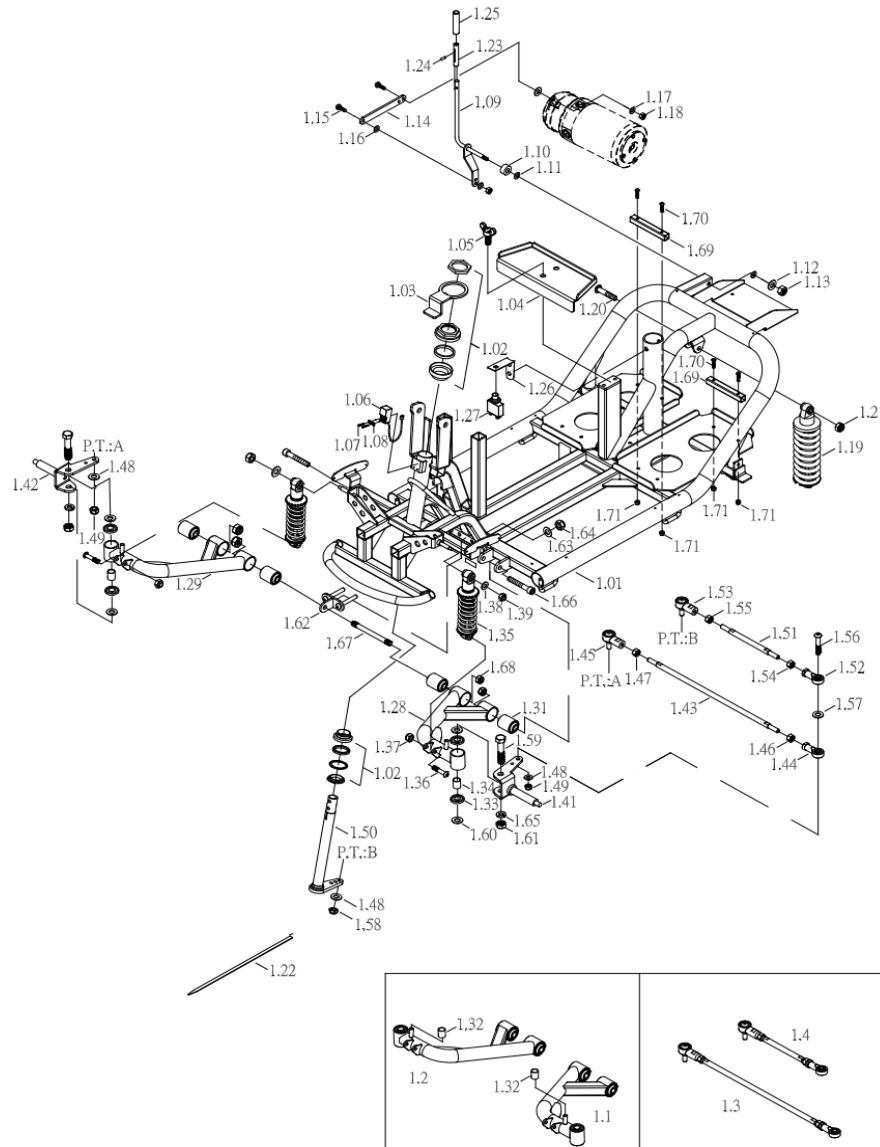


CE-D09 Spare parts list



Identification number: TCF-VOMNL-0975-23E
 Product group: Mobility Scooter
 Productname: Excel Galaxy Plus EVO 4
 Batchnumber: From 7051

Front frame assembly



| Drawing No. | Item No. | Description | Price |
|--|------------|----------------------------------|----------|
| 1.01 | 7530303259 | Front frame | € 778,65 |
| 1.02 to 1.03 | 93130010 | Bearing set of the bearing house | € 35,97 |
| 1.04 to 1.05 | 7541280201 | Battery board | € 11,72 |
| 1.06 to 1.08 | 7563742003 | Sensor for half speed | € 14,83 |
| 1.09 to 1.11; 1.14 to 1.16; 1.23 to 1.25 | 7530303249 | Release lever set | € 35,90 |
| 1.12 to 1.18 | - | Not available as spare part | - |

CE-D09 Spare parts list



Identification number: TCF-VOMNL-0975-23E
 Product group: Mobility Scooter
 Productname: Excel Galaxy Plus EVO 4
 Batchnumber: From 7051

Front frame assembly

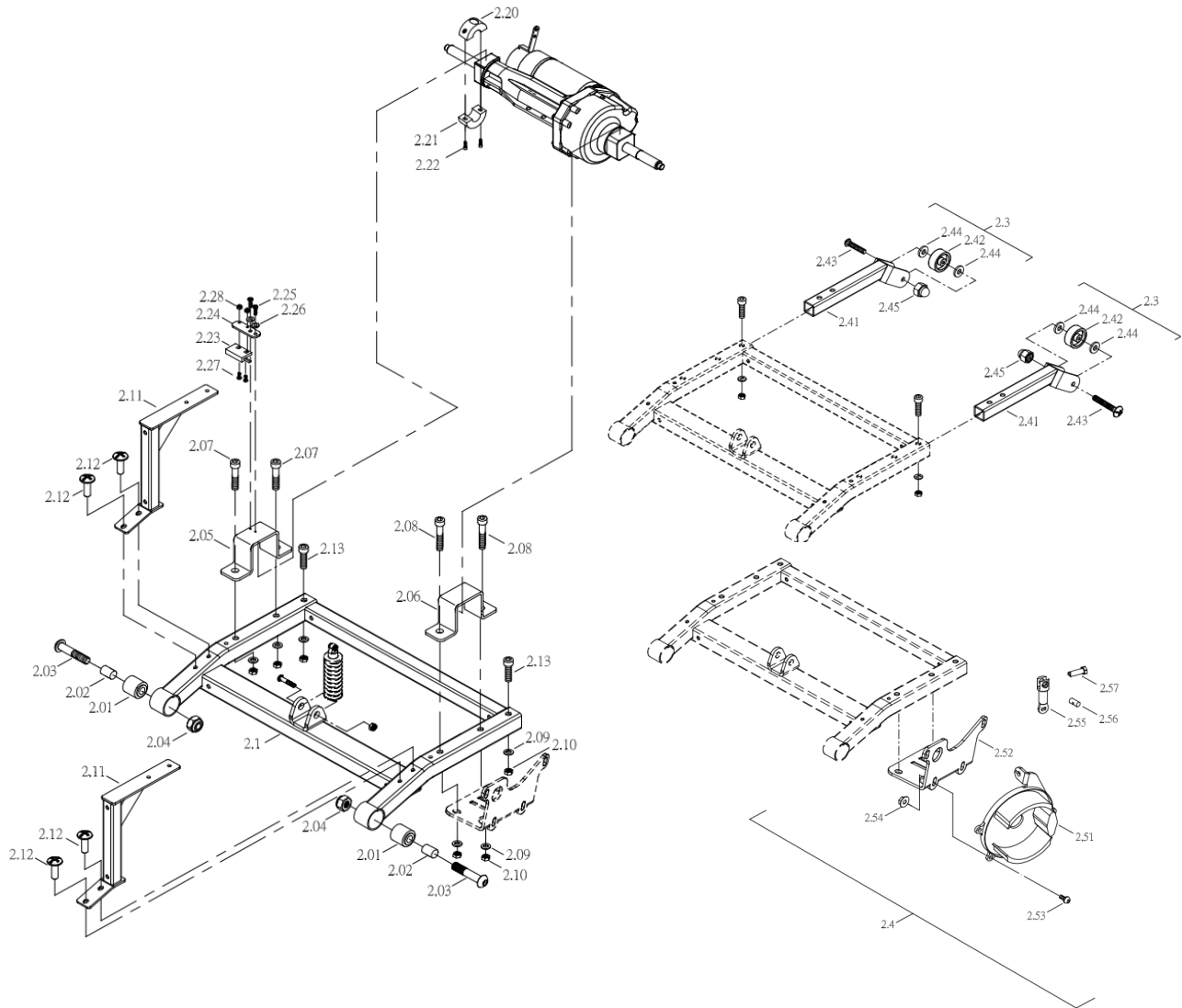
| Drawing No. | Item No. | Description | Price | |
|--------------|------------|---|-------|--------|
| 1.19 | 7541780027 | Suspension | € | 234,96 |
| 1.20 to 1.24 | - | Not available as spare part | - | |
| 1.25 | 7543690220 | Release lever rubber tip | € | 17,69 |
| 1.26 to 1.27 | 7561230135 | Breaker 80A | € | 26,14 |
| 1.1 | 7530303260 | Front train complete LEFT | € | 305,73 |
| 1.2 | 7530303261 | Front train complete Right | € | 305,73 |
| 1.28 to 1.34 | - | Not available as spare part | - | |
| 1.35 | 7541700290 | Suspension Hydraulic 165L, 150LBS/IN Yellow | € | 72,28 |
| 1.36 to 1.39 | - | Not available as spare part | - | |
| 1.3 | 7541300520 | Steering tube long | € | 53,96 |
| 1.4 | 7541300034 | Steering tube short $\phi 10 \times 175L$ | € | 51,18 |
| 1.41 | 99710100 | Front wheel axle set LEFT | € | 123,12 |
| 1.42 | 99710110 | Front wheel axle set RIGHT | € | 123,12 |
| 1.43 to 1.68 | - | Not available as spare part | - | |
| 1.69 | 41100026 | Accu stopping tube | € | 8,85 |
| 1.70 to 1.71 | - | Not available as spare part | - | |

CE-D09 Spare parts list



Identification number: TCF-VOMNL-0975-23E
 Product group: Mobility Scooter
 Productname: Excel Galaxy Plus EVO 4
 Batchnumber: From 7051

Rear frame assembly



| Drawing No. | Item No. | Description | Price | |
|--------------|------------|--|-------|--------|
| 2.1 | 99751370 | Rear frame | € | 155,76 |
| 2.01 to 2.04 | - | Not available as spare part | - | |
| 2.05 to 2.06 | 41200494 | Bracket assembly for Meteor M4 transaxle | € | 12,32 |
| 2.05 to 2.12 | 7530403124 | Bracket sets for wheel cover support assy & meteor transaxle | € | 64,29 |
| 2.13 | - | Not available as spare part | - | |
| 2.20 to 2.22 | 41300442 | Mounting clamp magnet for sensor odometer | € | 26,68 |
| 2.23 | 61090063 | Sensor for odometer | € | 11,39 |

CE-D09 Spare parts list



Identification number: TCF-VOMNL-0975-23E
Product group: Mobility Scooter
Productname: Excel Galaxy Plus EVO 4
Batchnumber: From 7051

Rear frame assembly

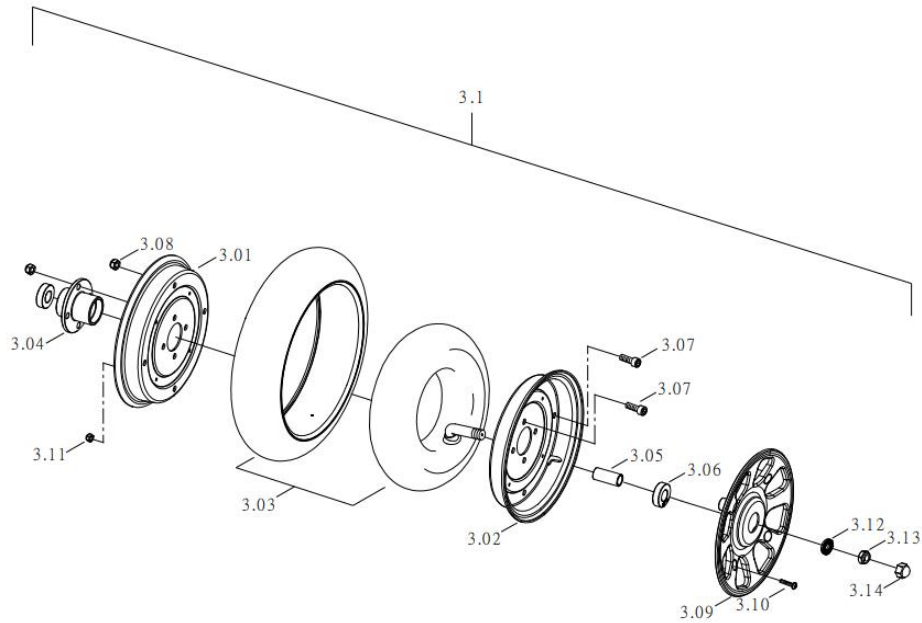
| Drawing No. | Item No. | Description | Price |
|--------------|------------|---|---------|
| 2.24 | 41200487 | Bracket for sensor odometer | € 2,60 |
| 2.25 to 2.28 | - | Not available as spare part | - |
| 2.3 | 7530400350 | Anti-tipper assembly, set of 2 (Left and Right) | € 62,71 |
| 2.41 to 2.45 | - | Not available as spare part | - |
| 2.4 | 7530403125 | Brake assembly | € 99,29 |
| 2.51 to 2.54 | - | Not available as spare part | - |
| 2.55 to 2.57 | 7530403051 | Brake arm | € 22,16 |

CE-D09 Spare parts list



Identification number: TCF-VOMNL-0975-23E
 Product group: Mobility Scooter
 Productname: Excel Galaxy Plus EVO 4
 Batchnumber: From 7051

Front wheel assembly



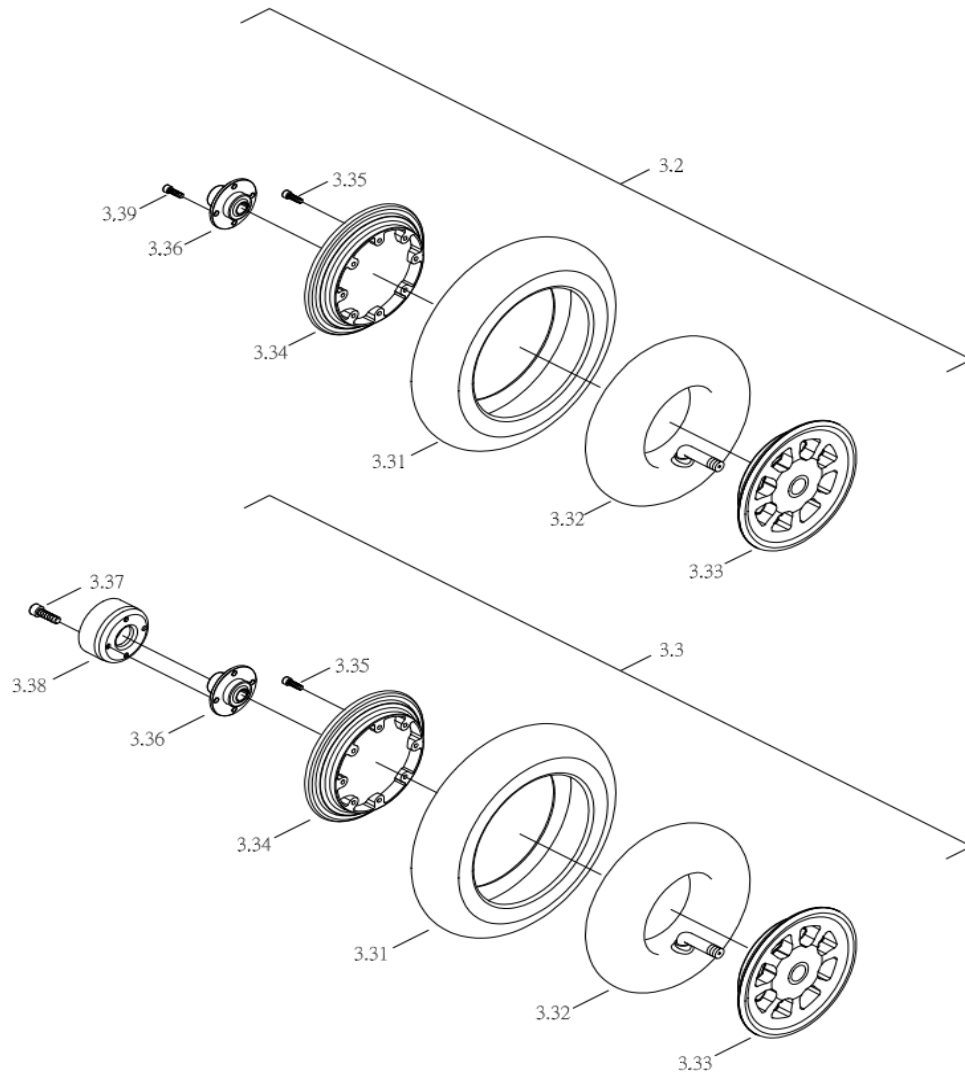
| Drawing No. | Item No. | Description | Price |
|--------------|------------|--|----------|
| 3.1 | 33100965 | Front wheel assembly | € - |
| 3.01 to 3.02 | - | Not available as spare part | - |
| 3.3 | 33000162 | Inner and outer tire 12 x 3.00 (C907) | € 110,40 |
| 3.04 to 3.08 | - | Not available as spare part | - |
| - | 53300028 | Bearing set for the frontwheel (set of 2 pieces) | € 6,90 |
| 3.09 | 7530519446 | Rim cover | € 11,27 |
| 3.10 to 3.14 | - | Not available as spare part | - |

CE-D09 Spare parts list



Identification number: TCF-VOMNL-0975-23E
 Product group: Mobility Scooter
 Productname: Excel Galaxy Plus EVO 4
 Batchnumber: From 7051

Rear wheel assembly



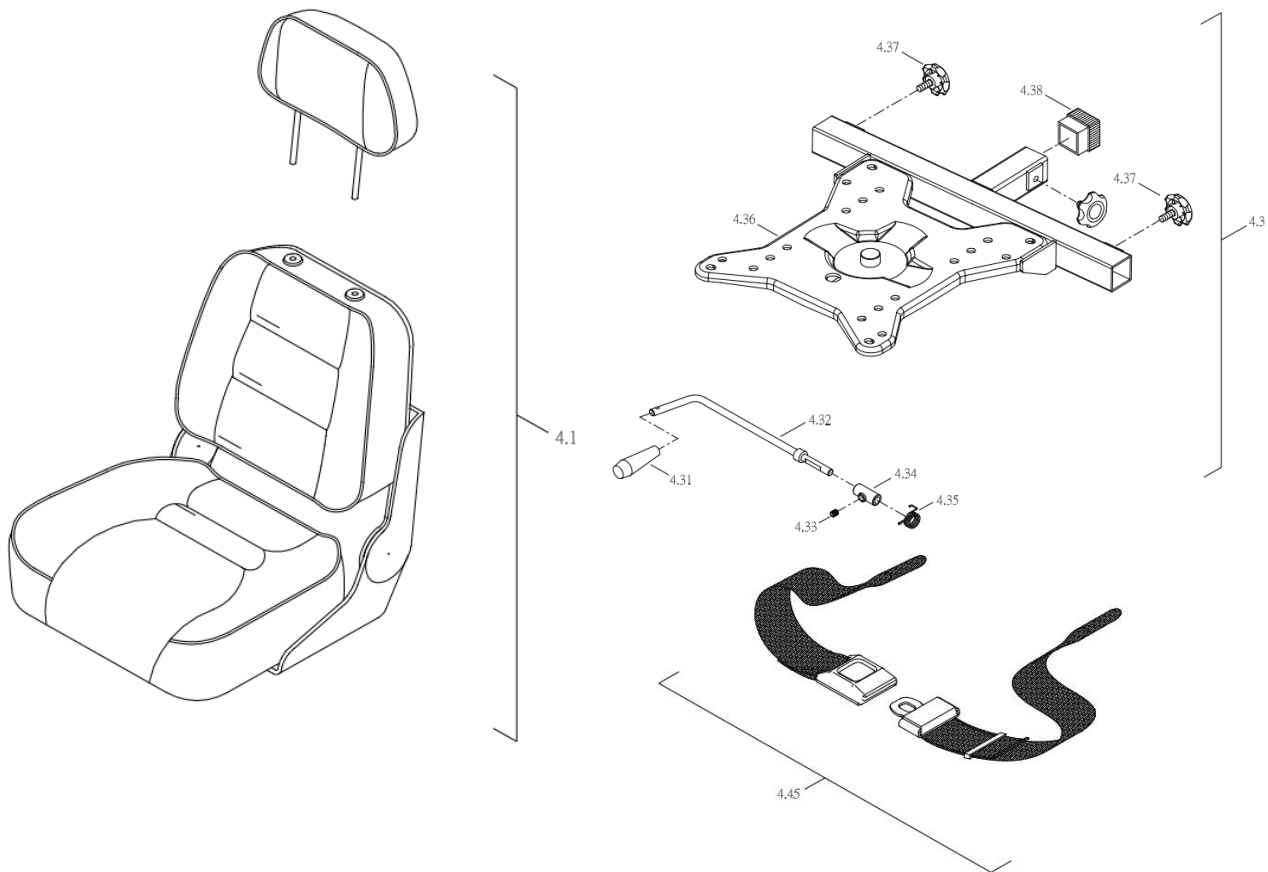
| Drawing No. | Item No. | Description | Price | |
|--------------|----------|---|-------|--------|
| 3.2 | 32600652 | Rear wheel assembly | € | 313,80 |
| 3.3 | 32600653 | Rear wheel assembly (with brake) | € | 325,20 |
| 3.31 | 44689215 | Outer tire 14x3.50-8 puncture resistant (black) | € | 102,00 |
| 3.32 | 44600095 | Inner tire, 3.00-8 | € | 36,00 |
| 3.33 | 42589139 | Rim cover rear | € | 82,80 |
| 3.34 to 3.39 | - | Not available as spare part | - | |

CE-D09 Spare parts list



Identification number: TCF-VOMNL-0975-23E
 Product group: Mobility Scooter
 Productname: Excel Galaxy Plus EVO 4
 Batchnumber: From 7051

Seat assembly



| Drawing No. | Item No. | Description | Price | |
|--------------|----------|---|-------|--------|
| 4.1 | 93130861 | Excellence seat with angle adjust backr and headr | € | 870,65 |
| 4.3 | 32100306 | Seat base with release lever | € | 155,40 |
| 4.31 | 41300204 | Assembly lever for the frame | € | 4,86 |
| 4.32 | 41380432 | Release lever "L" type 295L | € | 15,54 |
| 4.33 to 4.35 | - | Not available as spare part | - | |
| 4.36 | 32103017 | Seat plate | € | 64,00 |
| 4.37 | 43600270 | Knob (M10*13L) | € | 1,40 |
| 4.38 | 43600306 | Square plug (30x30) | € | 0,36 |
| 4.45 | 90360200 | Seat fixationbelt, quick release (loop fixation) | € | 17,63 |

CE-D09 Spare parts list



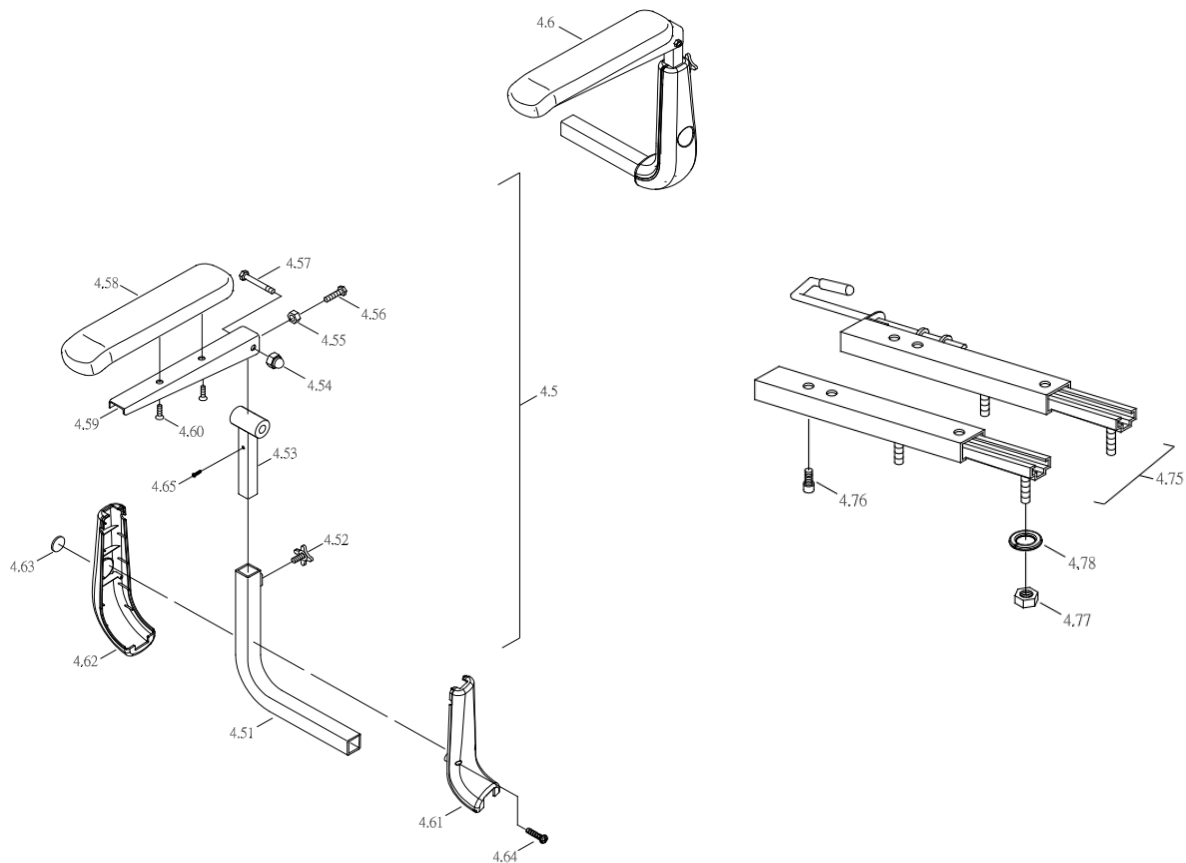
Identification number: TCF-VOMNL-0975-23E

Product group: Mobility Scooter

Productname: Excel Galaxy Plus EVO 4

Batchnumber: From 7051

Armrest assembly



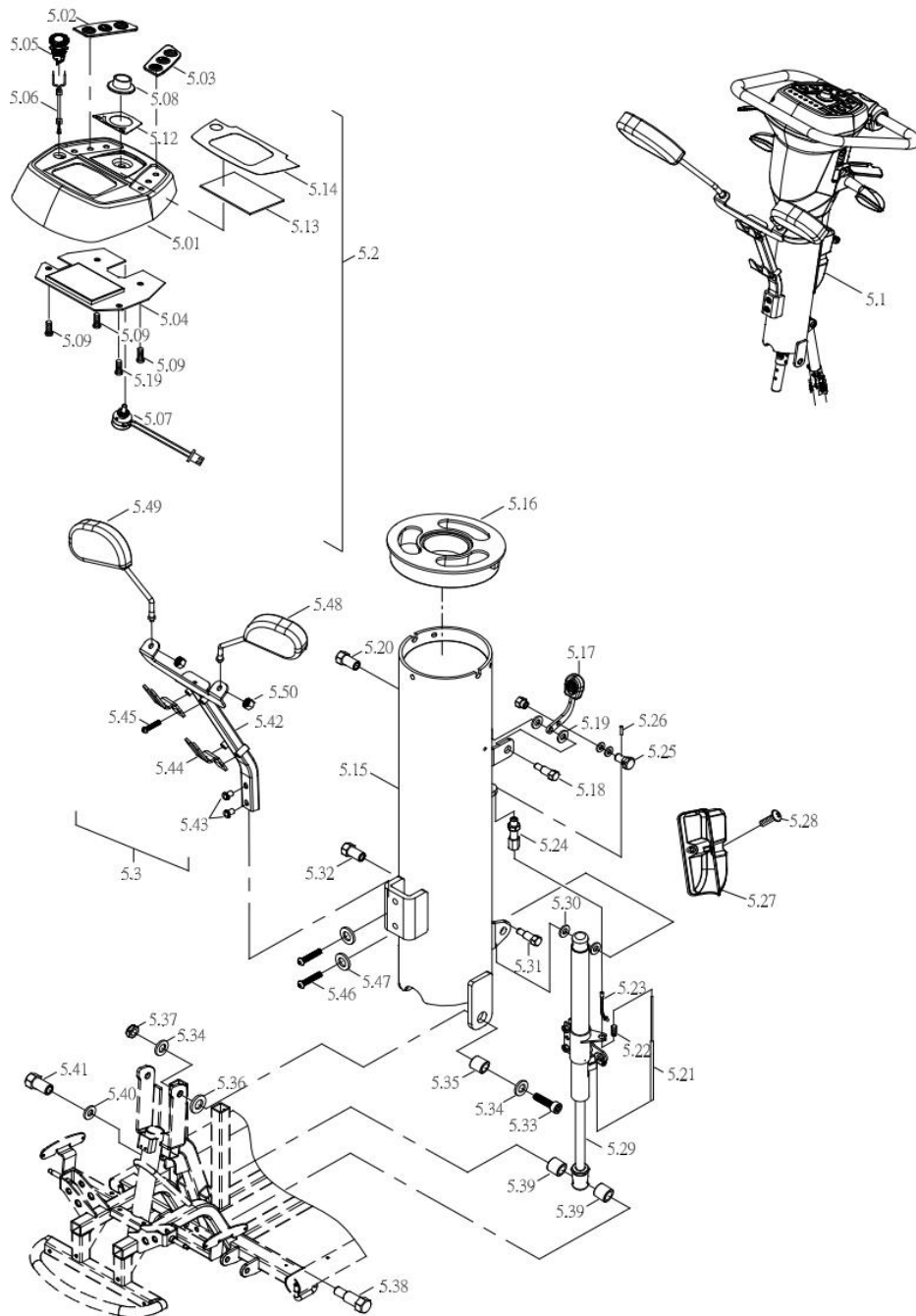
| Drawing No. | Item No. | Description | Price |
|--------------|----------|---|----------|
| 4.5 | 93900030 | Armrest assembly Right | € 156,32 |
| 4.6 | 93900020 | Armrest assembly Left | € 156,32 |
| 4.51 | - | Not available as spare part | - |
| 4.52 | 95030545 | Knob, M8x15L | € 2,77 |
| 4.53 to 4.57 | - | Not available as spare part | - |
| 4.58 | 93131370 | Arm pad, Black | € 33,20 |
| 4.59 to 4.60 | - | Not available as spare part | - |
| 4.61 | 43610503 | Protective cover armrest RIGHT | € 1,76 |
| | 43610502 | Protective cover armrest LEFT | € 1,76 |
| 4.62 | 43610501 | Protective shroud RIGHT | € 2,08 |
| | 43610500 | Protective shroud LEFT | € 2,08 |
| 4.63 to 4.65 | - | Not available as spare part | - |
| 4.75 to 4.78 | 41700077 | Slide mechanism assembly with release lever | € 43,20 |

CE-D09 Spare parts list



Identification number: TCF-VOMNL-0975-23E
Product group: Mobility Scooter
Productname: Excel Galaxy Plus EVO 4
Batchnumber: From 7051

Tiller assembly



CE-D09 Spare parts list



Identification number: TCF-VOMNL-0975-23E
 Product group: Mobility Scooter
 Productname: Excel Galaxy Plus EVO 4
 Batchnumber: From 7051

Tiller assembly

| Drawing No. | Item No. | Description | Price |
|--|------------|--|----------|
| 5.1 | - | Not available as spare part | - |
| 5.2 | 30500020 | Upper dashboard assembly LCD | € 384,00 |
| 5.01 | 43690651 | Upper dashboard only, LCD | € 28,76 |
| 5.02 | 44689191 | Key pad (L), LCD | € 8,88 |
| 5.03 | 44689192 | Key pad (R), LCD | € 8,88 |
| 5.04 | 61108304 | PC-Board LCD, S847 | € 265,80 |
| 5.05 | 61098058 | Emergency stop button | € 38,92 |
| 5.06 | 63770837 | Emergency stop switch cable | € 2,83 |
| 5.07 | 63980118 | Cable potentiometer S840 | € 11,68 |
| 5.08 | 7561188009 | Speed adjustment knob | € 6,90 |
| 5.09 | - | Not available as spare part | - |
| 5.12 | 7575171099 | LCD cover board | € 3,97 |
| 5.13 | 43690399 | LCD Cover Board | € 13,23 |
| 5.14 | 75171513 | Dashboard foil LCD | € 22,60 |
| 5.15, 5.20, 5.30, 5.35 | 69760100 | Tiller tube with mounting material | € 171,81 |
| 5.16 | 7543690212 | Guide ring for locking mechanism | € 2,71 |
| 5.17 | 7533500280 | Lock handle for tiller adjustment | € 3,34 |
| 5.18 to 5.19 | - | Not available as spare part | - |
| 5.21 to 5.24; 5.29 to 5.30 | 7541380197 | Locking mechanism for tiller | € 86,53 |
| 5.25 to 5.26 | - | Not available as spare part | - |
| 5.27 | 43690808 | Cover for lock handle | € 3,60 |
| 5.28; 5.31 to 5.34; 5.36 to 5.41 | - | Not available as spare part | - |
| 5.3 | 7534200249 | Basket support bracket ass'y | € 51,21 |
| 5.42 to 5.47 | - | Not available as spare part | - |
| 5.48 to 5.50 | 91010970 | Mirror set, left and right | € 36,56 |
| - | 97510900 | Mirror extender | € 21,06 |
| - | 69751000 | Cable for operating gas spring/tiller | € 17,08 |
| - | 7539900162 | Cover for battery indicator (incl. tape) | € 23,59 |

CE-D09 Spare parts list



Identification number: TCF-VOMNL-0975-23E
 Product group: Mobility Scooter
 Productname: Excel Galaxy Plus EVO 4
 Batchnumber: From 7051

Tiller assembly

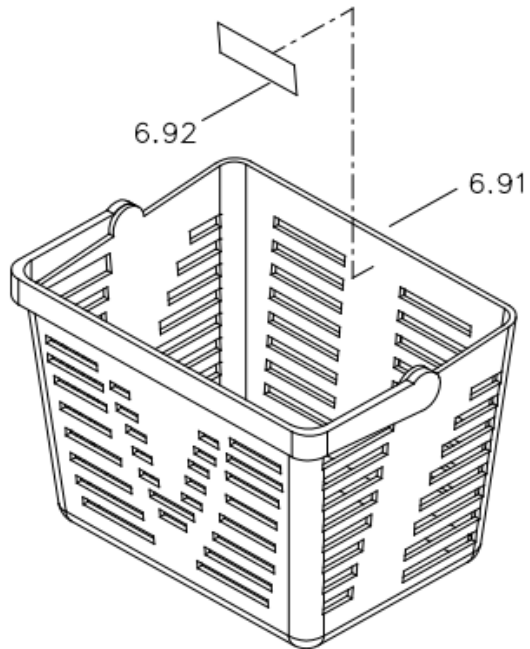
| Drawing No. | Item No. | Description | Price |
|--------------------|------------|--|----------|
| 6.01 to 6.12 | 7533503142 | Steering tube (incl. cross coupling) | € 192,71 |
| 6.13; 6.23 to 6.24 | 7533503145 | Steering wheel frame with foam | € 41,28 |
| 6.09 & 6.14 | 7533503143 | Handle tube support assembly | € 55,39 |
| 6.15 | - | Not available as spare part | - |
| 6.16 | 7541780031 | Handbrake | € 17,14 |
| 6.17 | 7541780028 | Brake cable assembly | € 12,55 |
| 6.18 to 6.19 | 7543690213 | Wigwag handle complete | € 6,06 |
| 6.20 | 7563500021 | Connecting wire (potentiometer) | € 1,47 |
| 6.21 | 7561010047 | Potentiometer | € 77,33 |
| 6.22 | - | Not available as spare part | - |
| 6.23 | 7545700114 | Foam tube right | € 5,02 |
| 6.24 | 7545700113 | Foam tube left | € 10,86 |
| 6.35 | 7543690203 | Dashboard cover rear | € 17,74 |
| 6.36 | 97061880 | Ignition barrel | € 29,05 |
| 6.37 | 33700217 | Key set | € 2,64 |
| 6.38 | - | Not available as spare part | - |
| 6.40 | 33700498 | Charge plug LFP4 | € 34,00 |
| 6.41 to 6.45 | - | Not available as spare part | - |
| 6.46 | 7561200200 | Indicator light LEFT | € 48,08 |
| 6.47 | 7561200201 | Indicator light RIGHT | € 48,08 |
| 6.48 to 6.49 | - | Not available as spare part | - |
| 6.50 | 63180135 | Main cable loom, S847 LCD | € 119,40 |
| 6.51 | 7563742004 | Cable for sensor half speed | € 14,83 |
| 6.52 | 7563453017 | Main cable loom for indicator light | € 14,01 |
| 6.53 | - | Not available as spare part | - |
| 6.54 to 6.56 | 7543690204 | Handle cover | € 5,22 |
| 6.57 | 95130740 | Horn | € 6,38 |
| 6.58 to 6.61 | - | Not available as spare part | - |
| 6.71 | 30514190 | Dashboard cover front Cloud Blue S837 | € 45,00 |
| | 30550318 | Dashboard cover front Sage Green S837 | € 45,00 |
| | 30554065 | Dashboard cover front Thunder Grey, S837 | € 45,00 |
| 6.72 to 6.77 | - | Not available as spare part | - |

CE-D09 Spare parts list



Identification number: TCF-VOMNL-0975-23E
Product group: Mobility Scooter
Productname: Excel Galaxy Plus EVO 4
Batchnumber: From 7051

Basket



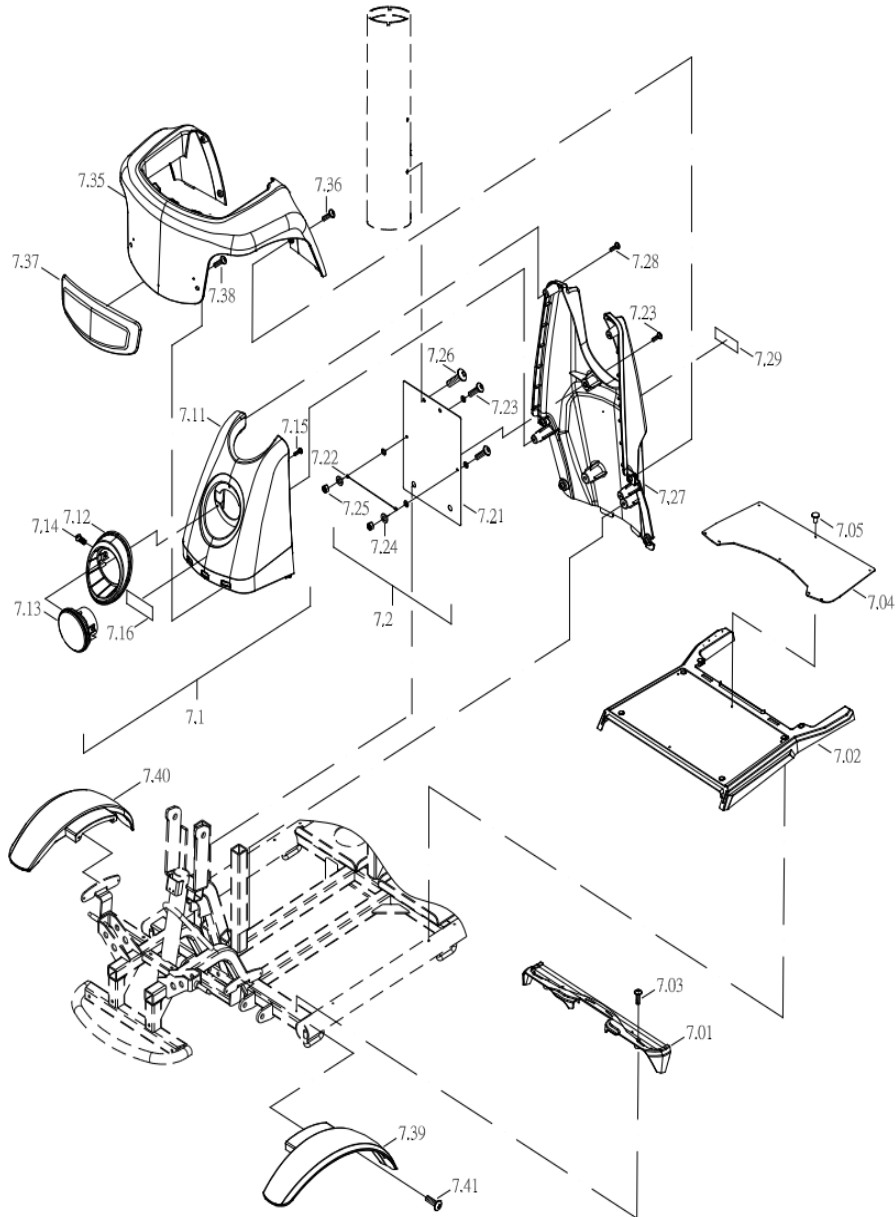
| Drawing No. | Item No. | Description | Price |
|-------------|------------|-----------------------------|---------|
| 6.91 | 7543780088 | Basket, plastic | € 36,58 |
| 6.92 | - | Not available as spare part | - |

CE-D09 Spare parts list



Identification number: TCF-VOMNL-0975-23E
Product group: Mobility Scooter
Productname: Excel Galaxy Plus EVO 4
Batchnumber: From 7051

Front shroud assembly



CE-D09 Spare parts list



Identification number: TCF-VOMNL-0975-23E
 Product group: Mobility Scooter
 Productname: Excel Galaxy Plus EVO 4
 Batchnumber: From 7051

Front shroud assembly

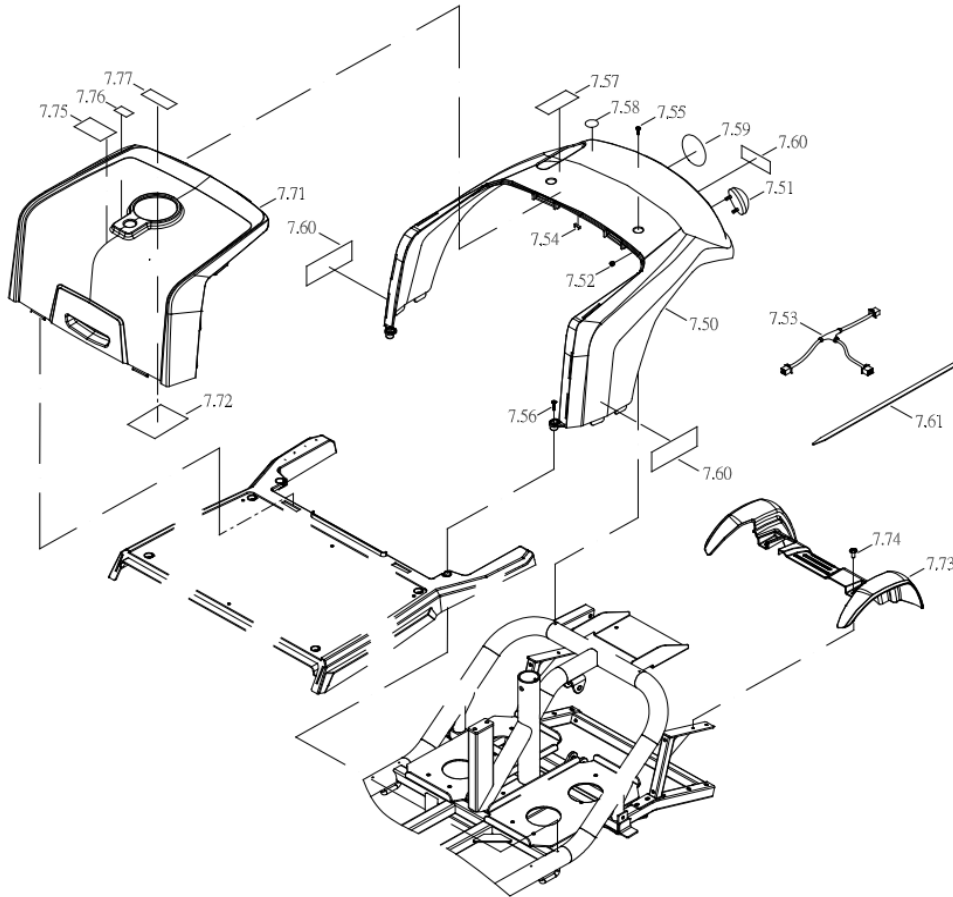
| Drawing No. | Item No. | Description | Price |
|--------------|------------|----------------------------------|---------|
| 7.01 | 43690795 | Footplate black (front side) | € 7,80 |
| 7.02 | 43690794 | Footplate black (rear side) | € 50,40 |
| 7.04 | 7544689068 | Rubber mat, black | € 58,94 |
| 7.03 & 7.05 | - | Not available as spare part | - |
| 7.1 | - | Not available as spare part | - |
| 7.11 | 30514187 | Front shroud cover, Cloud blue | € 72,00 |
| | 30550315 | Front shroud cover, Sage Green | € 72,00 |
| | 30554062 | Front shroud cover, Thunder Grey | € 72,00 |
| 7.12 & 7.14 | 7530519447 | Case lamp | € 13,17 |
| 7.13 | 7561200136 | Main light assembly 12V/15W | € 45,99 |
| 7.15 to 7.16 | - | Not available as spare part | - |
| 7.2 | 34200334 | Rubber cover mat for tiller | € 8,49 |
| 7.21 to 7.26 | - | Not available as spare part | - |
| 7.27 | 43690790 | Front shroud cover (rear) | € 34,80 |
| 7.28 to 7.29 | - | Not available as spare part | - |
| 7.35 & 7.38 | 7643690210 | Front bumper for 4-wheel | € 18,17 |
| 7.36 | - | Not available as spare part | - |
| 7.37 | 30514171 | Decorative plate, Cloud Blue | € 8,00 |
| | 30550297 | Decorative plate, Sage Green | € 8,00 |
| | 30554044 | Decorative plate, Thunder Grey | € 8,00 |
| 7.39 | 43690762 | Front fender left | € 7,40 |
| 7.40 | 43690763 | Front fender right | € 7,40 |
| 7.41 | - | Not available as spare part | - |

CE-D09 Spare parts list



Identification number: TCF-VOMNL-0975-23E
 Product group: Mobility Scooter
 Productname: Excel Galaxy Plus EVO 4
 Batchnumber: From 7051

Rear shroud assembly



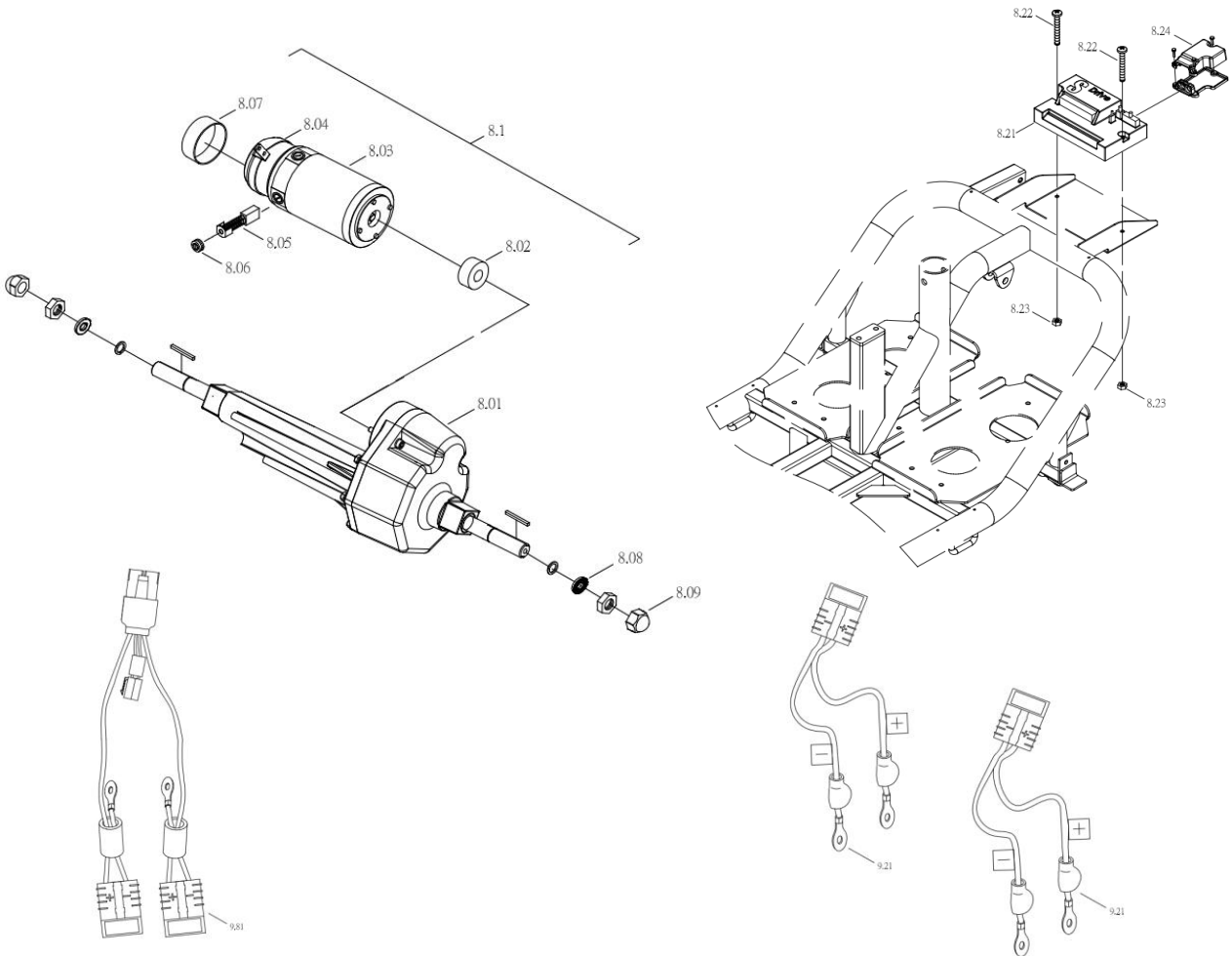
| Drawing No. | Item No. | Description | Price | |
|--------------|------------|-----------------------------|-------|--------|
| 7.50 | 30514173 | Rear shroud Cloud Blue | € | 115,80 |
| | 30550298 | Rear shroud Sage Green | € | 115,80 |
| | 30554045 | Rear shroud Thunder Grey | € | 115,80 |
| 7.51 | 7561200199 | Taillight ass'y | € | 107,65 |
| 7.52 | - | Not available as spare part | - | |
| 7.53 | 7563453018 | Taillight cable | € | 12,33 |
| 7.54 to 7.61 | - | Not available as spare part | - | |
| 7.71 | 43690781 | Battery cover black | € | 40,20 |
| 7.72 | - | Not available as spare part | - | |
| 7.73 | 43690784 | Fender cover black | € | 27,60 |
| 7.74 to 7.77 | - | Not available as spare part | - | |

CE-D09 Spare parts list



Identification number: TCF-VOMNL-0975-23E
 Product group: Mobility Scooter
 Productname: Excel Galaxy Plus EVO 4
 Batchnumber: From 7051

Motor & Transaxle



| Drawing No. | Item No. | Description | Price | |
|--------------|------------|--|-------|----------|
| 8.1 | 7562009062 | Transaxle ass'y, M4YA-10 (complete incl.motor(brake)) 20km/h | € | 1.096,37 |
| 8.01 | 7562201205 | Transaxle M405 (4P) | € | 454,65 |
| 8.02 | 93132030 | Clutch between motor and transaxle | € | 17,98 |
| 8.03 | 62109087 | Motor ass'y incl. motorbrake M4YA-10 (20km/h) | € | 609,33 |
| 8.04 & 8.07 | 62302033 | Electromagnetic brake set, 81.6 kgf (4P) | € | 218,86 |
| 8.05 & 8.06 | 62400012 | Carbon brush including covers (4 pieces) for motor M4A | € | 35,97 |
| 8.08 to 8.09 | - | Not available as spare part | - | |
| 9.21 | 7563270420 | Battery cable | € | 26,96 |
| 9.81 | 63370522 | Power harness | € | 63,00 |

CE-D09 Spare parts list



Identification number: TCF-VOMNL-0975-23E
Product group: Mobility Scooter
Productname: Excel Galaxy Plus EVO 4
Batchnumber: From 7051

Accessoires

| Drawing No. | Item No. | Description | Price |
|-------------|----------|---|----------|
| - | 92330010 | Odometer for scooters | € 47,73 |
| - | 92330020 | Diagnosis, failure analysis and hour readout software | € 273,00 |
| - | 93810670 | Accu 50 Ah/ 24V, LiFePO4 | € 637,61 |
| - | 93810357 | Charger 8Ah/24V. lithium | € 273,48 |
| - | 97101400 | Insurance plate holder | € 17,10 |
| - | 90100030 | Crutch holder de-luxe | € 80,20 |