

CE-D09 Spare parts list



Identification number: TCF-VOMNL- 0136-09G
Product group: Manual wheelchair
Productname: Excel G-logic
Batchnumber:

Complete



CE-D09 Spare parts list



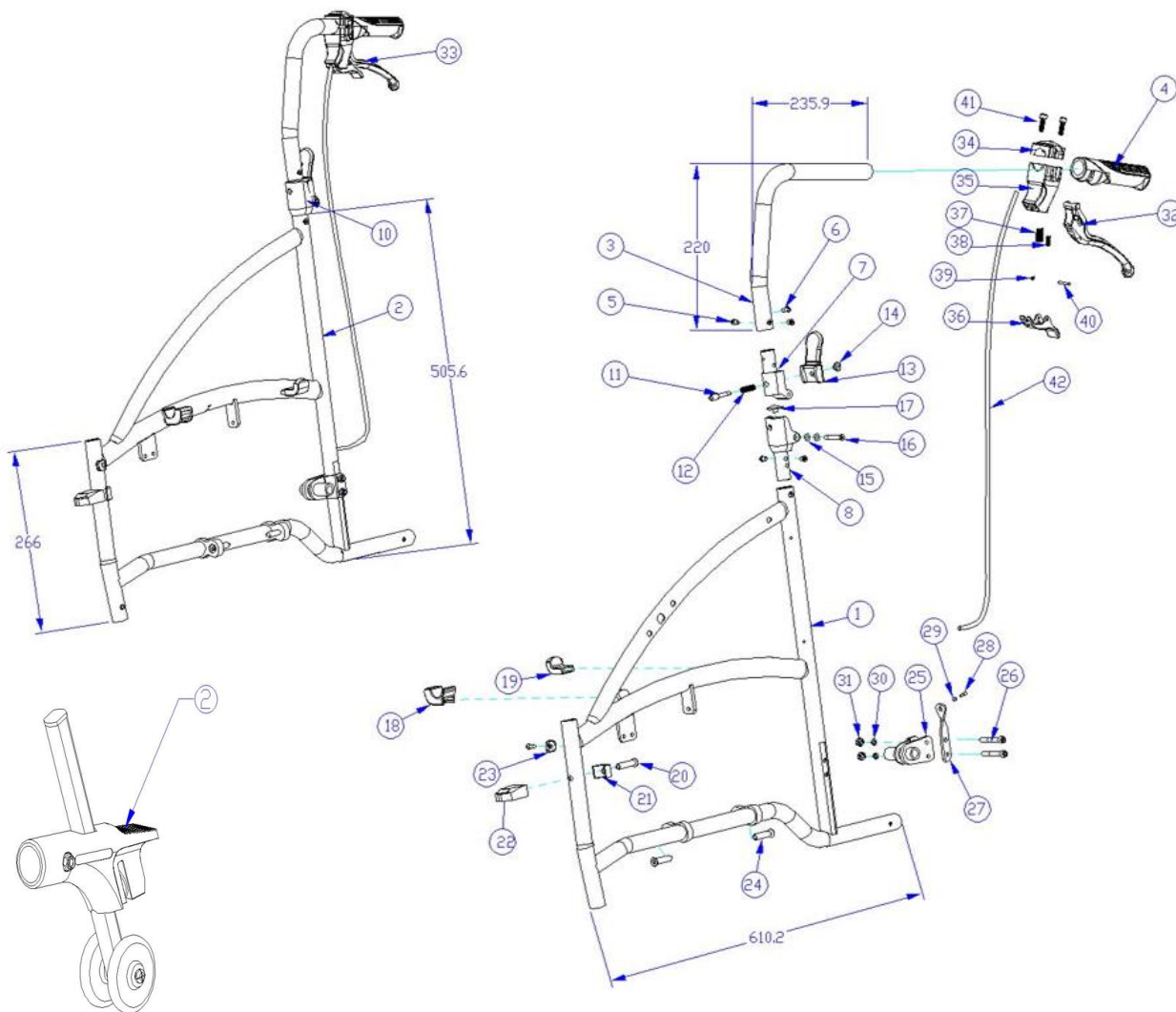
Identification number: TCF-VOMNL- 0136-09G
Product group: Manual wheelchair
Productname: Excel G-logic
Batchnumber:

CE-D09 Spare parts list



Identification number: TCF-VOMNL- 0136-09G
 Product group: Manual wheelchair
 Productname: Excel G-logic
 Batchnumber:

Sideframe



Drawing No.	Item No.	Description	Purchase Price
1	13370043	Side frame Left; Silver	€ 240,71
	13370045	Side frame Left; White	€ 240,71
	13370046	Side frame Left; Black	€ 240,71
2	13370143	Side frame Right; Silver	€ 240,71
	13370145	Side frame Right; White	€ 240,71
	13370146	Side frame Right; Black	€ 240,71
3 to 6	AT467-3-S	Push handle; Silver	€ 24,84
	AT467-3-B	Push handle; Black	€ 24,84
	AT467-3-W	Push handle; White	€ 24,84
10	11371016	Fixationmechanism with lever for foldable backtube	€ 52,00
20 to 23	12362000	Footrest fixation block (plastic)	€ 13,80
25	13372011	Axel bracket, (sleeve/ring/nut)	€ 15,82

CE-D09 Spare parts list



Identification number: TCF-VOMNL- 0136-09G
 Product group: Manual wheelchair
 Productname: Excel G-logic
 Batchnumber:

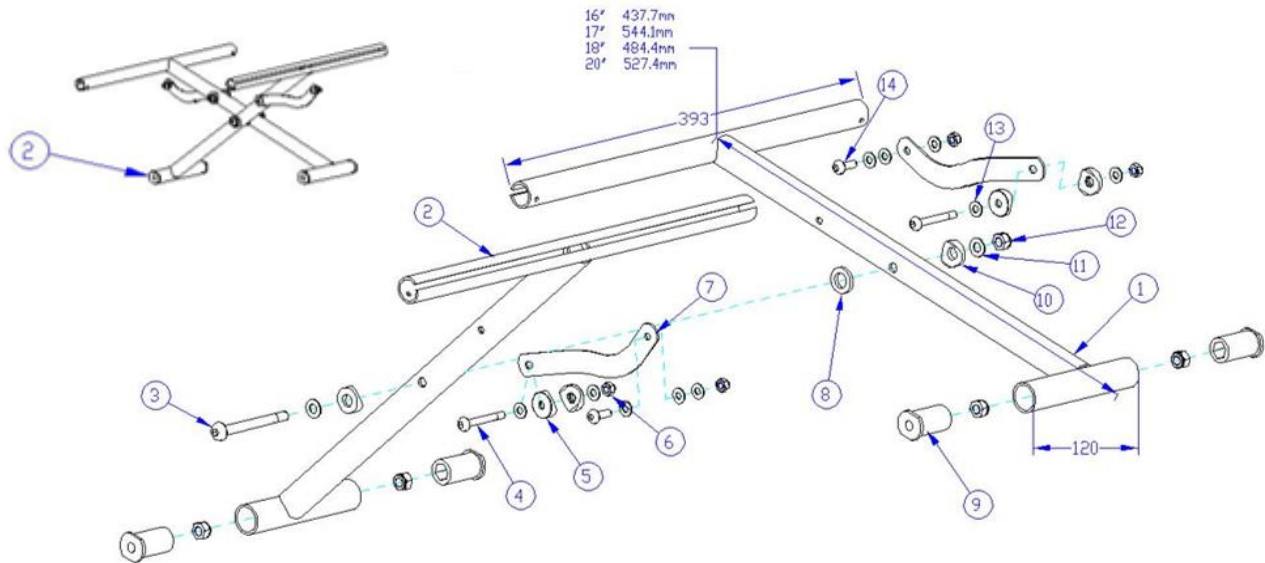
26; 28 to 32	-	Not available as spare part	-	
27	13371300	Aluminium plate for brake	€	4,50
34 to 42	-	Not available as spare part	-	
33	71370110	Brake handle + brake cable Left	€	29,48
	71370120	Brake handle + brake cable Right	€	29,48
-2	92000015	Anti-tippers (set of 2)	€	135,63
-	11373700	Stepper	€	15,22

CE-D09 Spare parts list



Identification number: TCF-VOMNL- 0136-09G
 Product group: Manual wheelchair
 Productname: Excel G-logic
 Batchnumber:

Crossframe



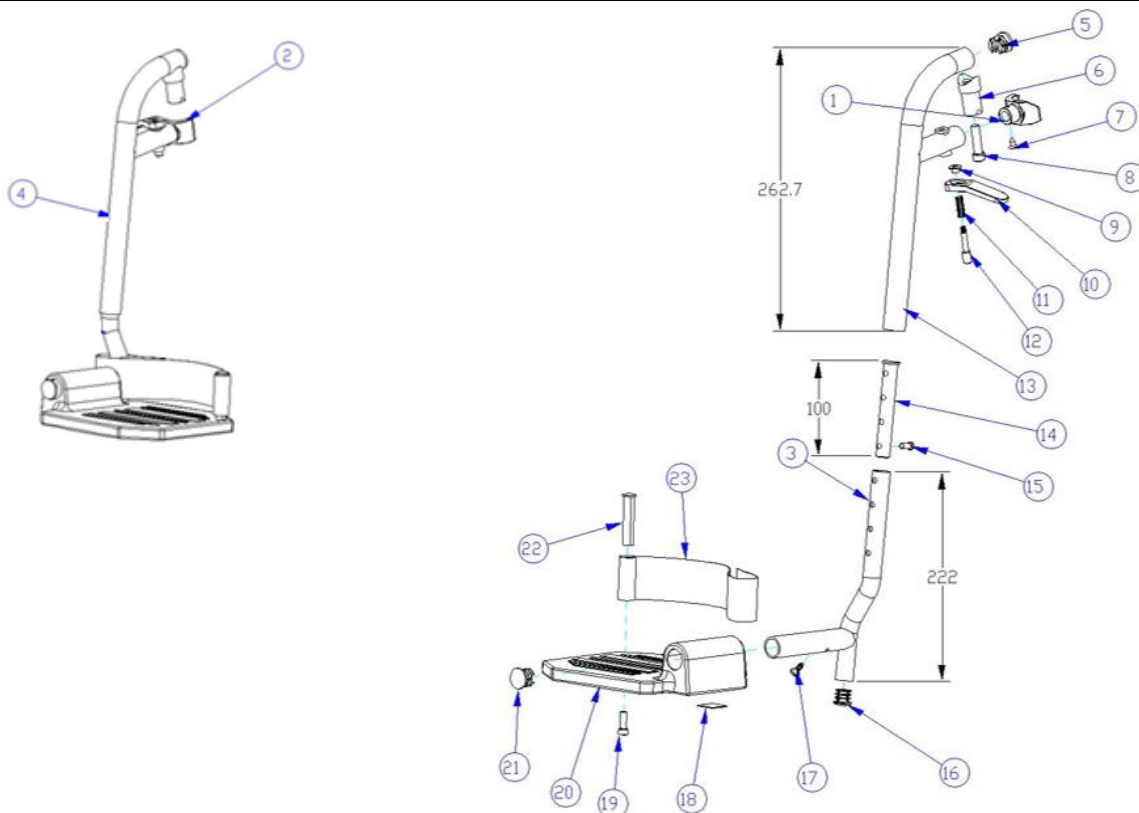
Drawing No.	Item No.	Description	Purchase Price
2	23377040	Cross bar complete incl. folding mechanism, seat width 40cm	€ 123,12
	23377045	Cross bar complete incl. folding mechanism, seat width 45cm	€ 123,12
	23377050	Cross bar complete incl. folding mechanism, seat width 50 cm	€ 123,12
4 to 7	23371600	Folding mechanism black for cross bar, seat width 40 cm	€ 15,22
	23371601	Folding mechanism black for cross bar, seat width 45 cm	€ 15,22
	23371602	Folding mechanism black for cross bar, seat width 50 cm	€ 15,22
9	21370000	Spacer tube, nut, screw for crossframe (set of 4)	€ 40,69
10 to 14	-	Not available as spare part	-

CE-D09 Spare parts list



Identification number: TCF-VOMNL- 0136-09G
 Product group: Manual wheelchair
 Productname: Excel G-logic
 Batchnumber:

Legrest



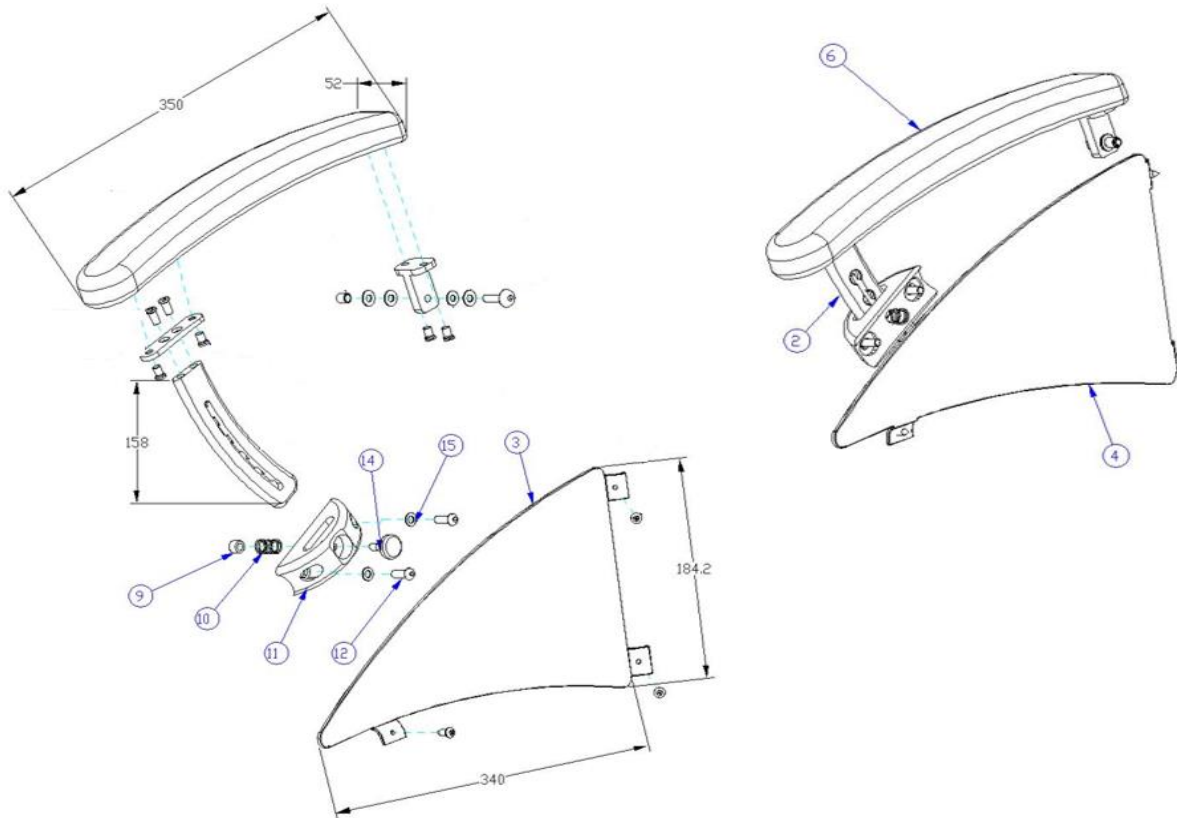
Drawing No.	Item No.	Description	Purchase Price
1 to 2; 5 to 12	61372200	Revision set for footrest Left	€ 44,96
	61372205	Revision set for footrest Right	€ 44,96
3 ; 16 to 23	63373240	Footplate with connection pipe Left	€ 81,62
	63373250	Footplate with connection pipe Right	€ 81,62
4	63374200	Footrest complete, seat width 40/50 cm Left (Silver)	€ 103,75
	63374210	Footrest complete, seat width 40/50 cm Right (Silver)	€ 103,75
	63373020	Elevating legrest complete, 2nd generation, seat width 40/50 cm Left	€ 199,01
	63373030	Elevating legrest complete, 2nd generation, seat width 40/50 cm Right	€ 199,01
	63370200	Footrest complete, seat width 40/50 cm Left (White)	€ 103,76
	63370210	Footrest complete, seat width 40/50 cm Right (White)	€ 103,76
	63376200	Footrest complete, seat width 40/50 cm Left (Black)	€ 103,76
	63376210	Footrest complete, seat width 40/50 cm Right (Black)	€ 103,76
13	-	Not available as spare part	-
14 & 15	63375000	Spacer tube for adjusting lower footrest tube (set of 2)	€ 29,48
15	20032401	Countersunk Screw for legrest (set of 10)	€ 10,61
22 & 23	61374640	Heel loop, nylon complete with mounting material	€ 19,37

CE-D09 Spare parts list



Identification number: TCF-VOMNL- 0136-09G
 Product group: Manual wheelchair
 Productname: Excel G-logic
 Batchnumber:

Armrest



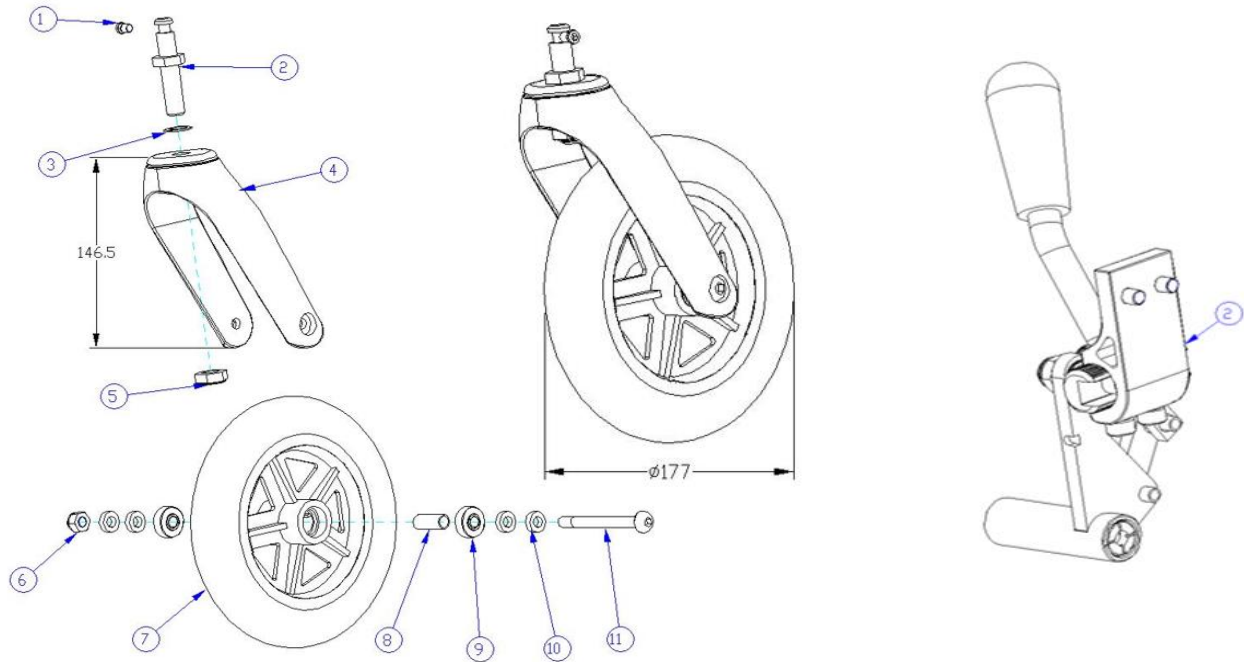
Drawing No.	Item No.	Description	Purchase Price
2 & 6	31370000	Armpad with height adjustable kit Left	€ 123,12
	31370010	Armpad with height adjustable kit Right	€ 123,12
3	33370105	Sideplate armrest Left	€ 20,76
4	33370115	Sideplate armrest Right	€ 20,76
9; 10 & 14	31371005	Pushbutton + spring for armrest	€ 5,90
9 to 15	31371015	Height adjustable kit for armpad Left/Right	€ 26,89

CE-D09 Spare parts list



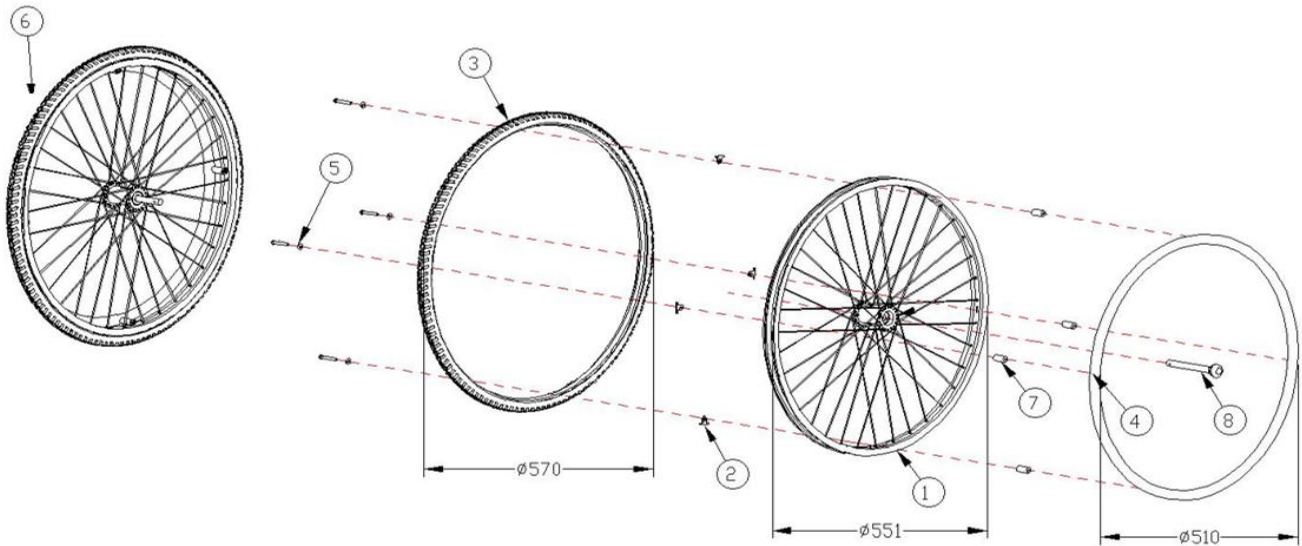
Identification number: TCF-VOMNL- 0136-09G
 Product group: Manual wheelchair
 Productname: Excel G-logic
 Batchnumber:

Front fork + front wheel



Drawing No.	Item No.	Description	Purchase Price
1 to 5	91370155	Front fork Left/Right for 7" front wheel	€ 34,52
6 to 11	80080005	Front wheel, 7" x 1¼", complete with bearings, PU (BLACK)	€ 41,50
2	WCAS14082	Left brake assy with locking lever	€ 93,00
	WCAS14083	Right brake assy with locking lever	€ 93,00

Rear Wheel



Drawing No.	Item No.	Description	Purchase Price
-------------	----------	-------------	----------------

CE-D09 Spare parts list



Identification number: TCF-VOMNL- 0136-09G
 Product group: Manual wheelchair
 Productname: Excel G-logic
 Batchnumber:

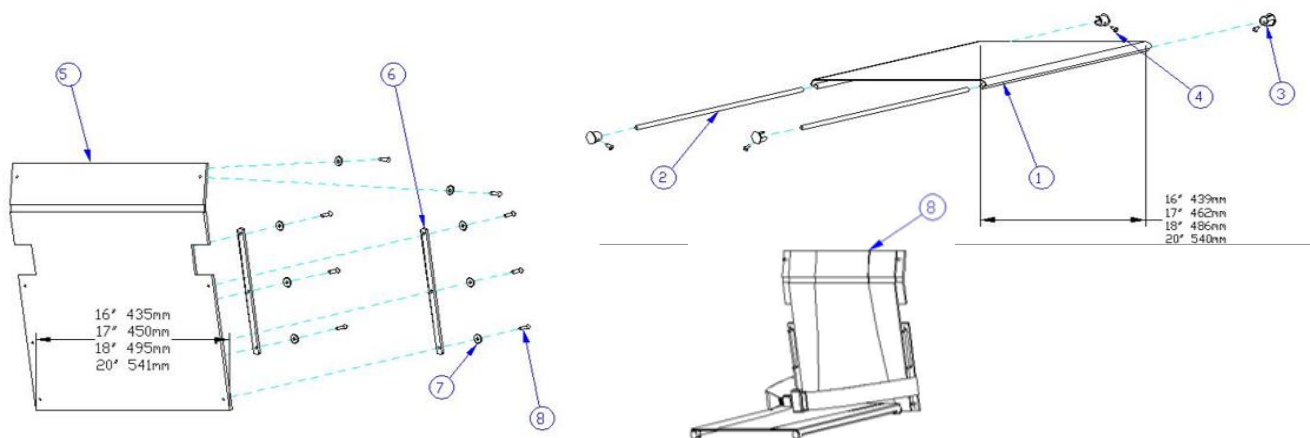
1	40010000	Outer tire 24"x 1 3/8" Air	€	20,75
2;5 & 7	40136092	Handrim distance bushes incl. bolt (4 pieces)	€	6,40
4	43381005	Wheel hoop for 24" x 17" rear wheel	€	36,00
6	43370005	24" x 1 3/8" rear wheel Left/Right PU, Black	€	179,84
	43370104	24" x 1 1/4" rear wheel Air Left/Right	€	179,84
7	-	Not available as spare part	-	
8	40081000	Quick-release axle with design cap, 13.0 cm	€	17,98

CE-D09 Spare parts list



Identification number: TCF-VOMNL- 0136-09G
 Product group: Manual wheelchair
 Productname: Excel G-logic
 Batchnumber:

Back & Seat



Drawing No.	Item No.	Description	Purchase Price
1	53371040	Seat canvas 40 cm	€ 51,75
	53371045	Seat canvas 45 cm	€ 51,75
	53371050	Seat canvas 50 cm	€ 51,75
2 to 4	-	Not available as spare part	-
5	53372040	Back canvas 40 cm	€ 51,75
	53372045	Back canvas 45 cm	€ 51,75
	53372050	Back canvas 50 cm	€ 51,75
6 to 7	-	Not available as spare part	-
8	53373040	Seat and back upholstery 40 x 42 cm Blue	€ 81,38
	53373045	Seat and back upholstery 45 x 42 cm Blue	€ 81,38
	53373050	Seat and back upholstery 50 x 42 cm Blue	€ 81,38
	53373340	Seat and back upholstery 40 x 42 cm Brown	€ 81,38
	53373345	Seat and back upholstery 45 x 42 cm Brown	€ 81,38
	53373350	Seat and back upholstery 50 x 42 cm Brown	€ 81,38
	53373140	Seat and back upholstery 40 x 42 cm Red	€ 81,38
	53373145	Seat and back upholstery 45 x 42 cm Red	€ 81,38
	53373150	Seat and back upholstery 50 x 42 cm Red	€ 81,38
	53373240	Seat and back upholstery 40 x 42 cm Orange	€ 81,38
	53373245	Seat and back upholstery 45 x 42 cm Orange	€ 81,38
53373250	Seat and back upholstery 50 x 42 cm Orange	€ 81,38	
90131010	Crutchholder with mounting material and 4 stauff blocks	€ 26,54	