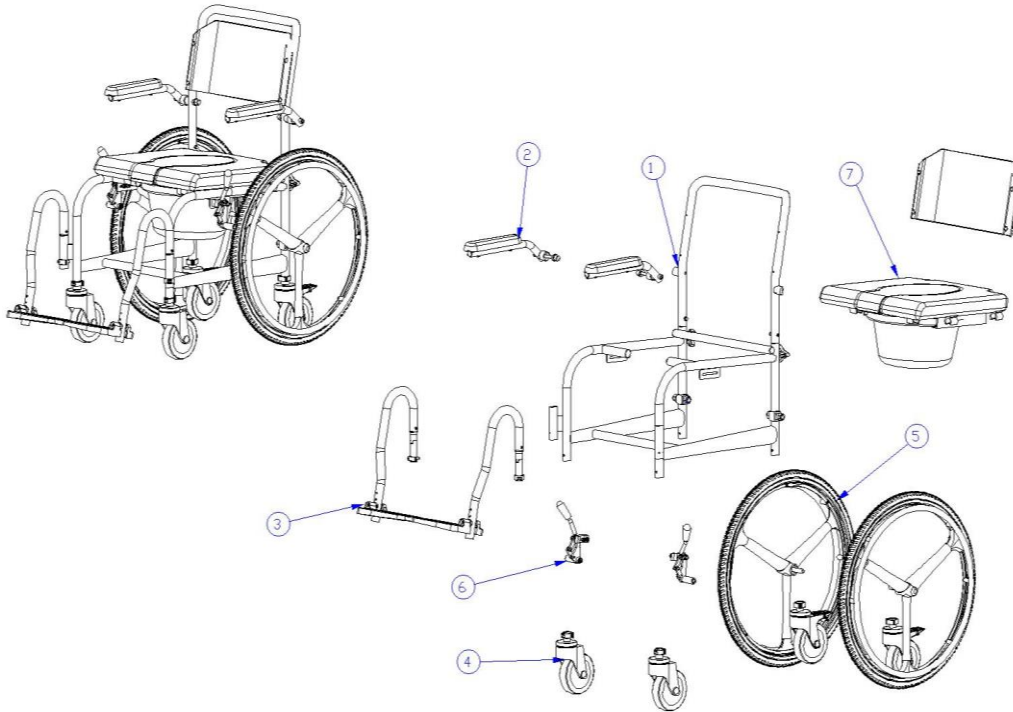


CE-D09 Spare parts list



Identification number: TCF-VOMNL-2840-15
 Product group: Health Care Product
 Productname: Excel HC-840
 Batchnumber: from 5301

Main overview



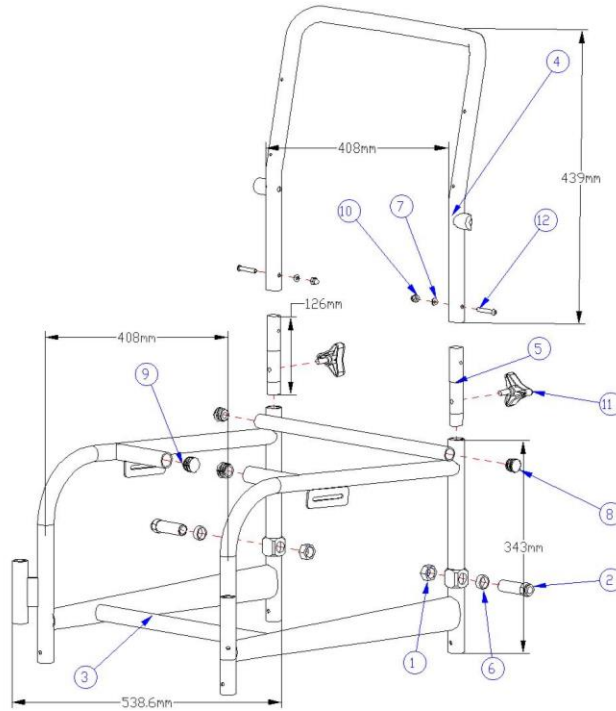
Drawing No.	Item No.	Description	Price	
1	AI41-AA046	Main frame	€	300,00
2	38401230	Armrest Left	€	80,23
	38401240	Armrest Right	€	80,23
3	68400000	Legrest pair	€	159,84
4	FPB5-13	Front wheel assembly	€	136,00
5	48400000	Rear wheel 24"	€	136,08
6	-	Not available as spare part	-	
7	AI41-K039	Back and seat upholstery	€	460,00

CE-D09 Spare parts list



Identification number: TCF-VOMNL-2840-15
 Product group: Health Care Product
 Productname: Excel HC-840
 Batchnumber: from 5301

Main frame



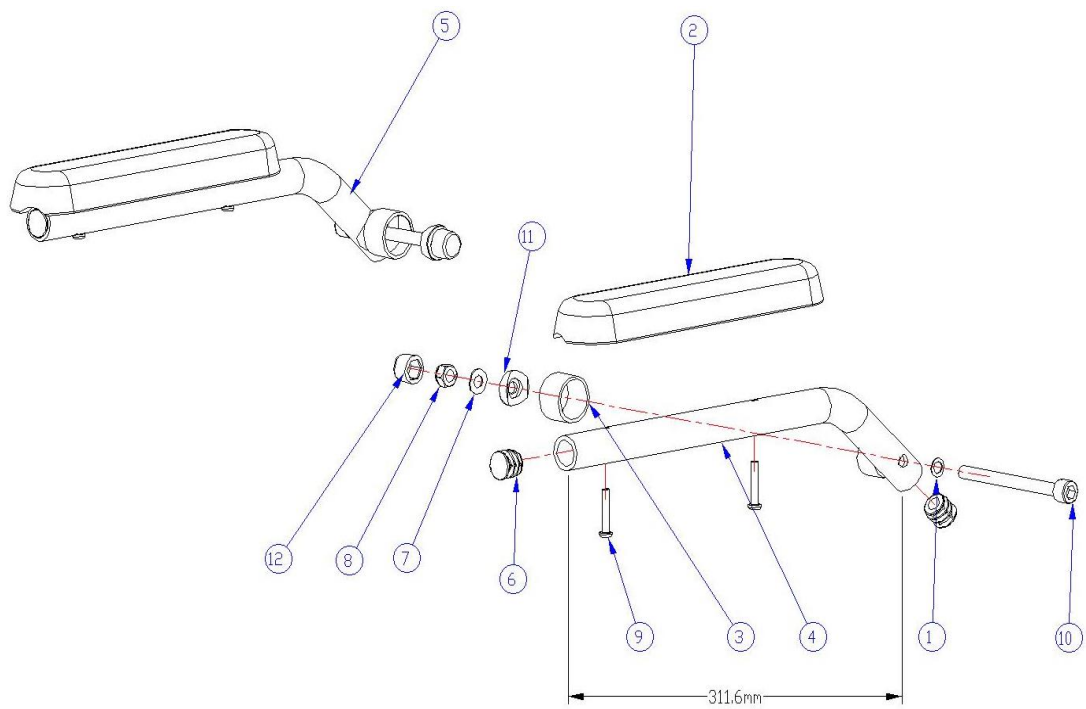
Drawing No.	Item No.	Description	Price
1 t/m 4	-	Not available as spare part	-
5	BA629	Connecting tube of push back	€ 19,20
6 & 7	-	Not available as spare part	-
8 + 9	HS028	Tube plug	€ 2,00
10	-	Not available as spare part	-
11	LA013-086	Plastic triangle screw	€ 7,20
12	-	Not available as spare part	-

CE-D09 Spare parts list



Identification number: TCF-VOMNL-2840-15
 Product group: Health Care Product
 Productname: Excel HC-840
 Batchnumber: from 5301

Armrest



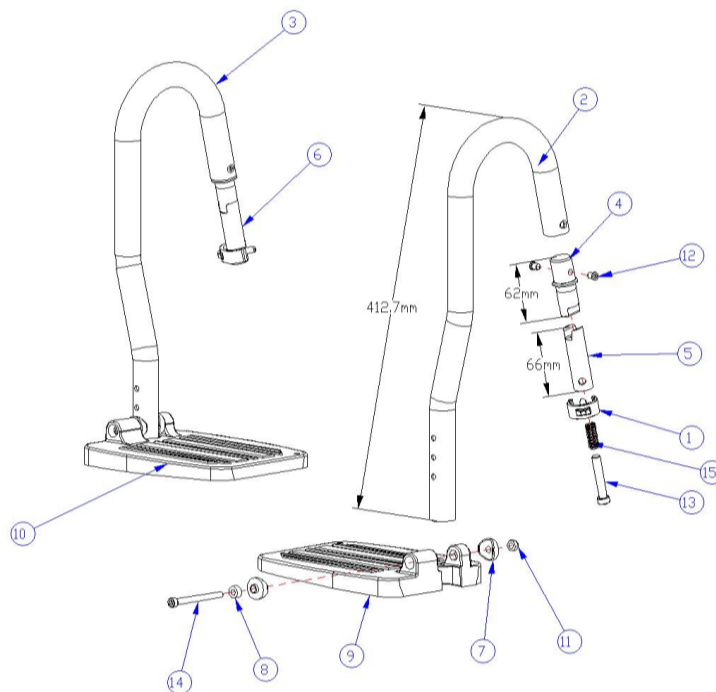
Drawing No.	Item No.	Description	Price
1	-	Not available as spare part	-
2	BA067-G	Armrest pad L/R	€ 15,20
3	-	Not available as spare part	-
4	BA663-L	Armrest, left	€ 21,60
5	BA663-R	Armrest, right	€ 21,60
6	CW072-1G	Tube plug	€ 2,00
7 t/m 12	-	Not available as spare part	-

CE-D09 Spare parts list



Identification number: TCF-VOMNL-2840-15
 Product group: Health Care Product
 Productname: Excel HC-840
 Batchnumber: from 5301

Legrest



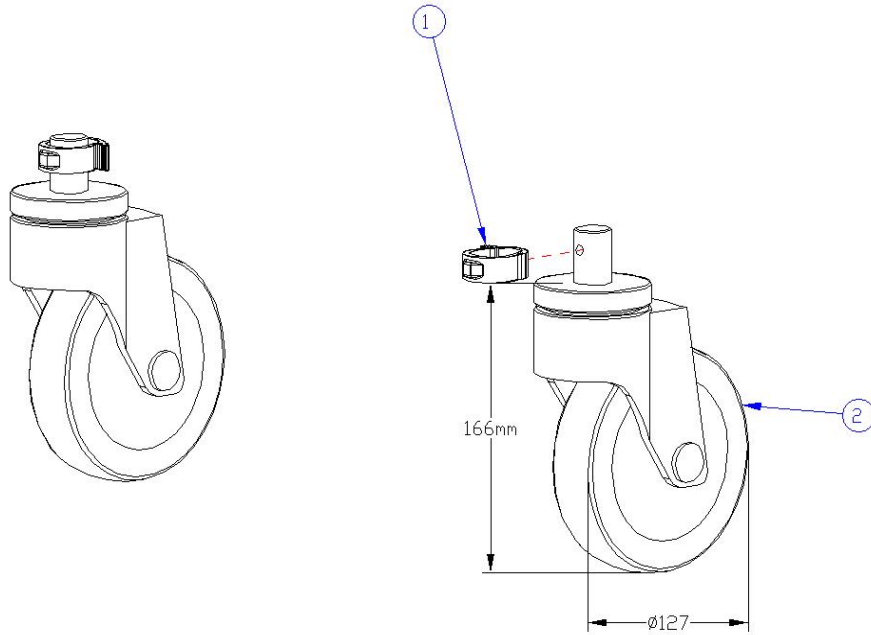
Drawing No.	Item No.	Description	Price
1	-	Not available as spare part	-
2	BA622-L	Legrest tube,left	€ 40,00
3	BA622-R	Legrest tube,right	€ 40,00
4	-	Not available as spare part	-
9	JP594-3L	Footplate,left	€ 24,00
10	JP594-3R	Footplate,right	€ 24,00
11 t/m 15	-	Not available as spare part	-

CE-D09 Spare parts list



Identification number: TCF-VOMNL-2840-15
 Product group: Health Care Product
 Productname: Excel HC-840
 Batchnumber: from 5301

Front castor



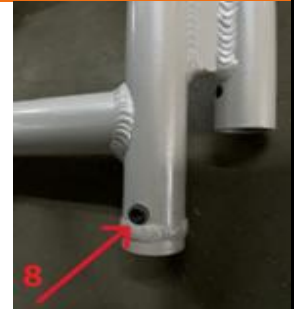
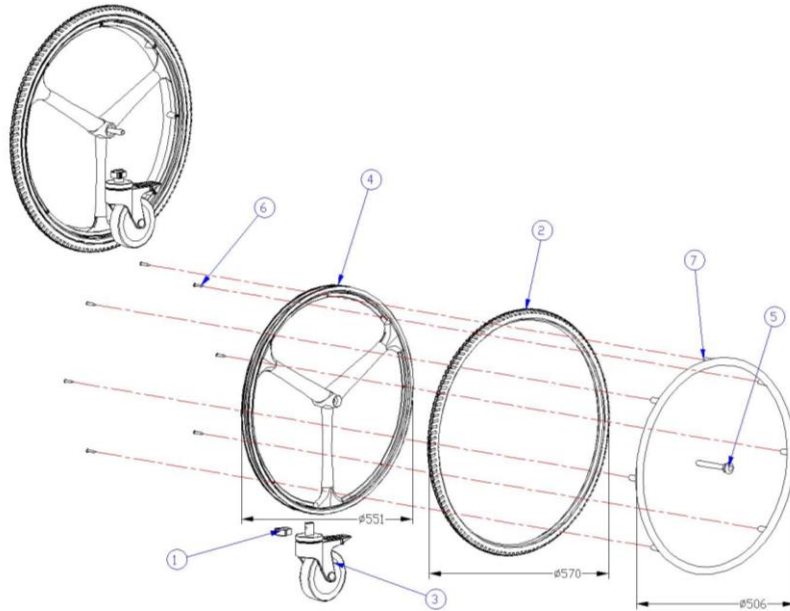
Drawing No.	Item No.	Description	Price
1	92840040	C-sharp pin	€ 6,92
2	GA03-003	5" front wheel with front fork	€ 63,20
	98200690	Castor 6" with brake	€ 66,40

CE-D09 Spare parts list



Identification number: TCF-VOMNL-2840-15
 Product group: Health Care Product
 Productname: Excel HC-840
 Batchnumber: from 5301

Rear wheel



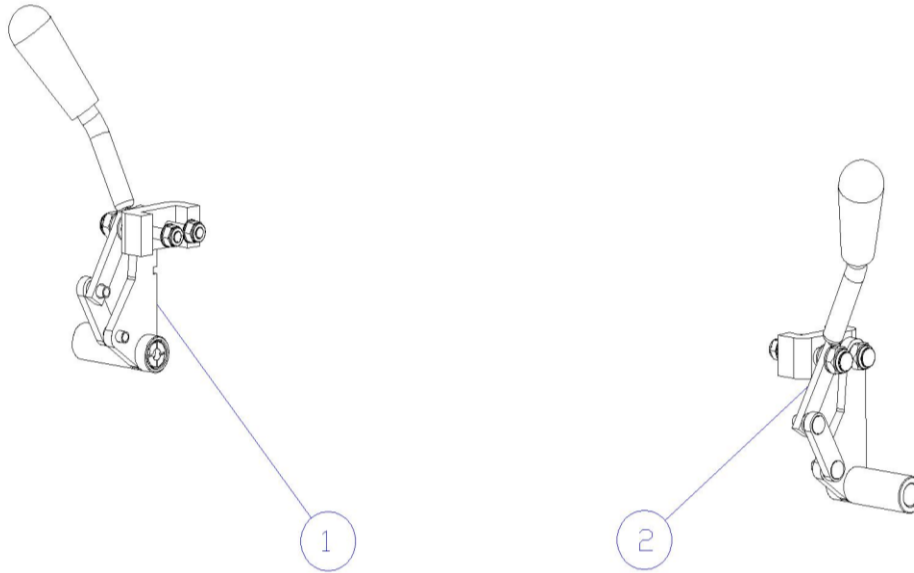
Drawing No.	Item No.	Description	Price
1	92840040	C-sharp pin	€ 6,92
2	CW820-G	24" PU tyre	€ 27,20
3	GA03-003	5" front wheel	€ 67,20
4	GC01-048	Three-fork wheel rim	€ 96,00
5	40081000	Quick release pin	€ 17,98
6	-	Not available as spare part	-
7	RE007-1	Hand rim	€ 24,80
8	LA013-036	Socket head screw set of 4 pc HC-840	€ 6,95

CE-D09 Spare parts list



Identification number: TCF-VOMNL-2840-15
Product group: Health Care Product
Productname: Excel HC-840
Batchnumber: from 5301

Brake



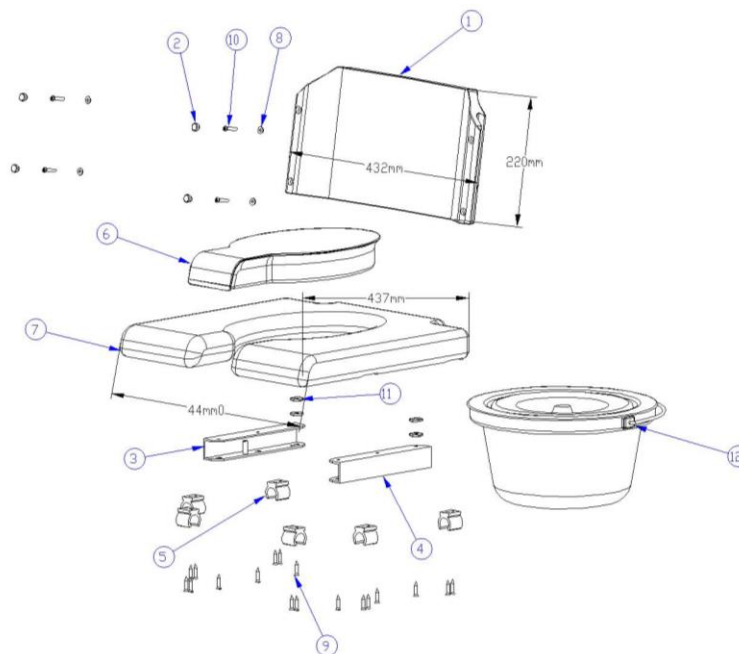
Drawing No.	Item No.	Description	Price
1	78400110	Handle brake assy ,right	€ 31,82
2	78400100	Handle brake assy ,left	€ 31,82

CE-D09 Spare parts list



Identification number: TCF-VOMNL-2840-15
 Product group: Health Care Product
 Productname: Excel HC-840
 Batchnumber: from 5301

Seat- and back upholstery



Drawing No.	Item No.	Description	Price	
1	BA002	Back upholstery	€	168,00
2	-	Not available as spare part	-	
3	BA053-L	Toilet hanging tank main body, left	€	27,20
4	BA053-R	Toilet hanging tank main body, right	€	27,20
5	BA065-1G	Fixing brakcet of seat cushion	€	4,00
6	58406900	Lid seat for HC-840	€	76,66
7	58404543	Seat	€	207,51
8 t/m 11	-	Not available as spare part	-	
12	98200655	Bucket	€	55,34