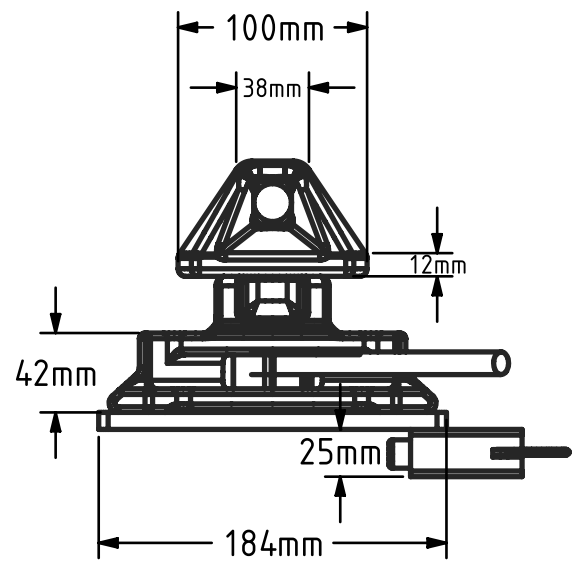
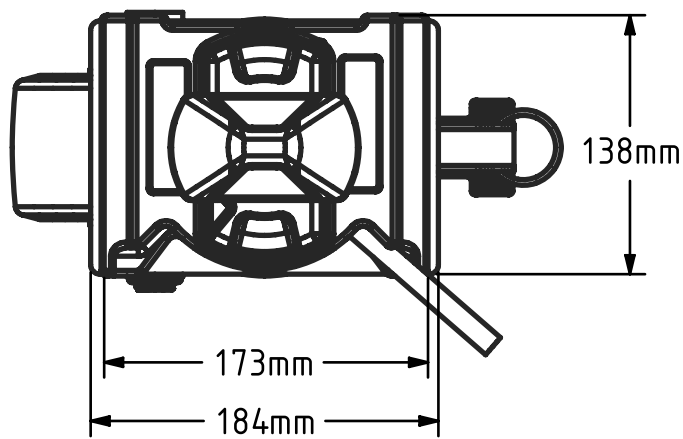


1 2 3 4

A

A

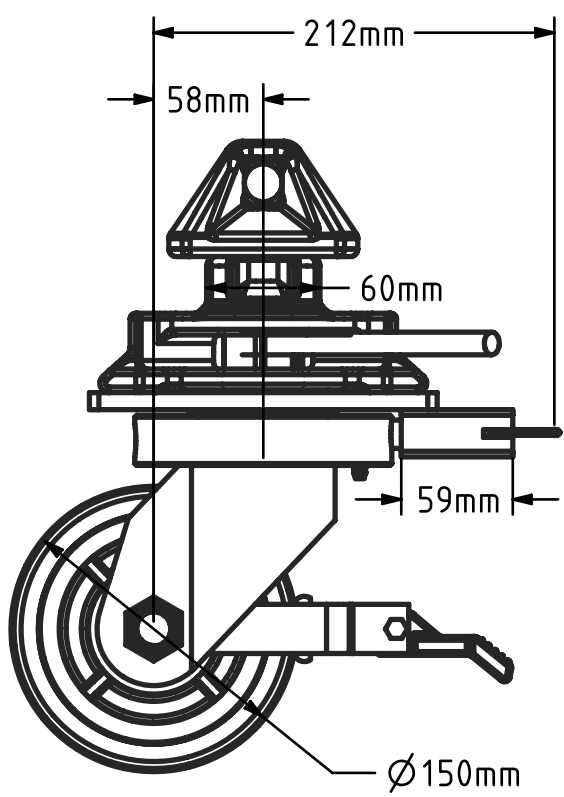
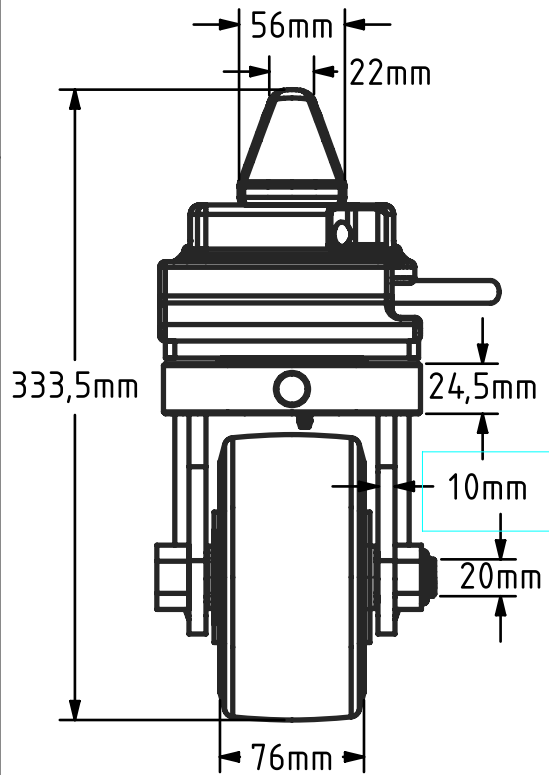


B

B

C

C



D

D

E

E

Remarks: ISO twistlock for corner casting. DIN 1161	Specifications:	Article number:	
	Bandage: Polyurethane, vulcanized	Loading capacity: 1800 KG	<b>580.221</b>
	Rim: Cast iron painted black	Bearing: Double ball bearing 6205 2RS	
	Fork: 10 mm welded steel, galvanized	Hardness: Shore 95 A (±3)	

**INTERWHEEL.EU** Description:

Drawn by: N Huisman | Date: 12-1-2024 | Scale 1:4 | Format A4 | SHEET 1 of 1

1 2 3 4