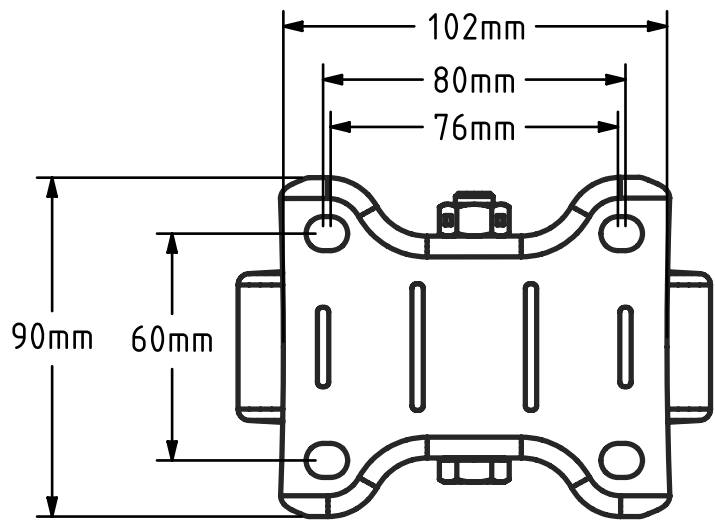


1 2 3 4

A

A

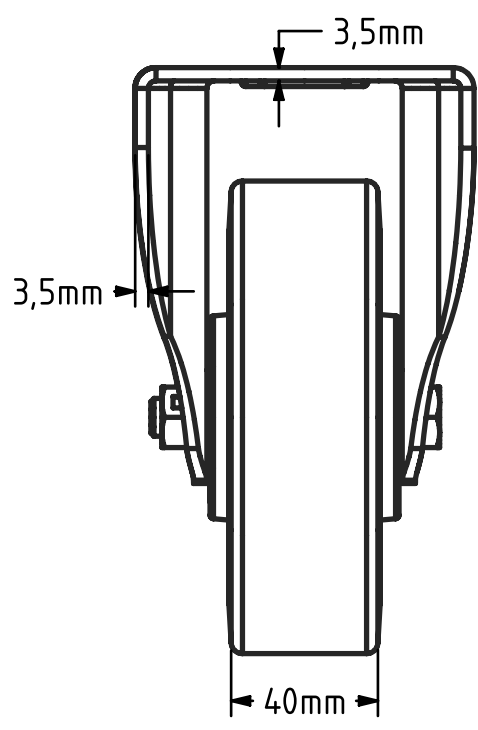


B

B

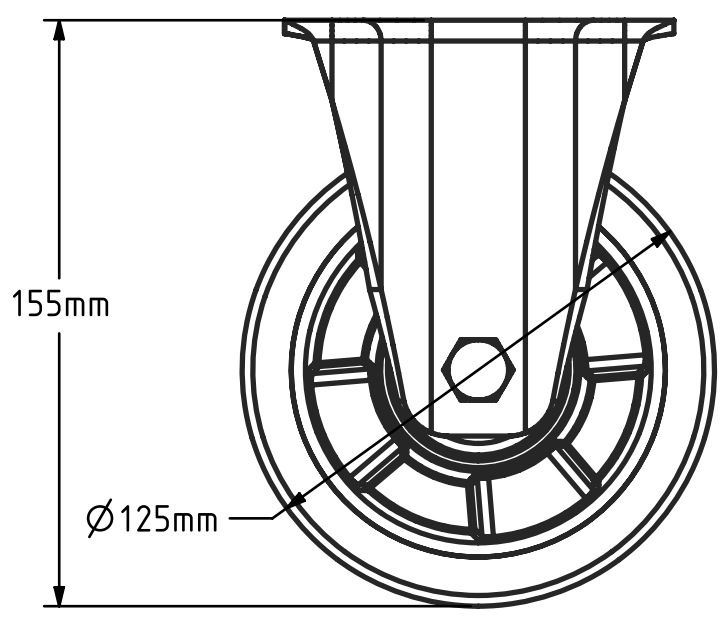
C

C



D

D



E

E

Remarks:	Specifications:	Article number:
	Wheel tread: Polyurethane, vulcanized	Loading capacity: 350 KG
	Wheel core: Aluminium	Hardness: 92 shore A ( $\pm 3$ )
	Ball bearing: 2x 6204 ZZ	<b>460.222</b>

F

F



Description:

Drawn by: K. Verhalle	Date: 20-11-2023	Scale 1:2	Format A4	SHEET 1 of 1
-----------------------	------------------	-----------	-----------	--------------

1 2 3 4