

# LUMEV.

LED LIGHTING



TPCE Series  
**EXPLOSION PROOF**  
**LED TRIPROOF**



(Please see the specification of UL HazLoc version)



## TPCE Series Explosion Proof LED Triproof

---

### Product omschrijving

De TPCE Serie is een geschikt voor ATEX Zone 1 & 21 en 2 & 22. Dankzij de hoge lichtopbrengst en laag energieverbruik zijn ruimtes hiermee efficiënt te verlichten. Behuizing van hoogwaardig aluminiumlegering, bestand tegen schokken en trillingen en afgedekt met een transparant PC cover.

### Eigenschappen

- Speciaal ontwikkelde mal, ontworpen voor explosieveilige bescherming. Behuizing van aluminiumlegering, geoptimaliseerd voor de beste warmteafvoer.
- PC-afdekking met uitstekende corrosiebestendigheid, schok- en trillingsbestendig, anti-verblindend, met meer dan 90% lichtdoorlaatbaarheid.
- Perfecte vervanging voor de traditionele explosieveilige fluorescentielamp.
- LED: 3030 LEDs, LM80 gecertificeerd
- Hoogwaardige LED-driver, levensduur van meer dan 50.000 uur.
- Circuitontwerp: 4KV/6KV overspanningsbeveiliging in de voeding.
- Beschermingsgraad: IP66, hoge mate van bescherming tegen water en stof

### Certificaten

#### ATEX:

- II 2G Ex eb mb IIC T5 Gb;
- II 2D Ex tb IIIC T75 °C Db;
- IP66;
- Certificate No: SEV 21 ATEX 0578 X;

#### IECEX:

- Ex eb mb IIC T5 Gb;
- Ex tb IIIC T75°C Db;
- IP66;
- Certificate No: IECEX SEV 21.0038X;

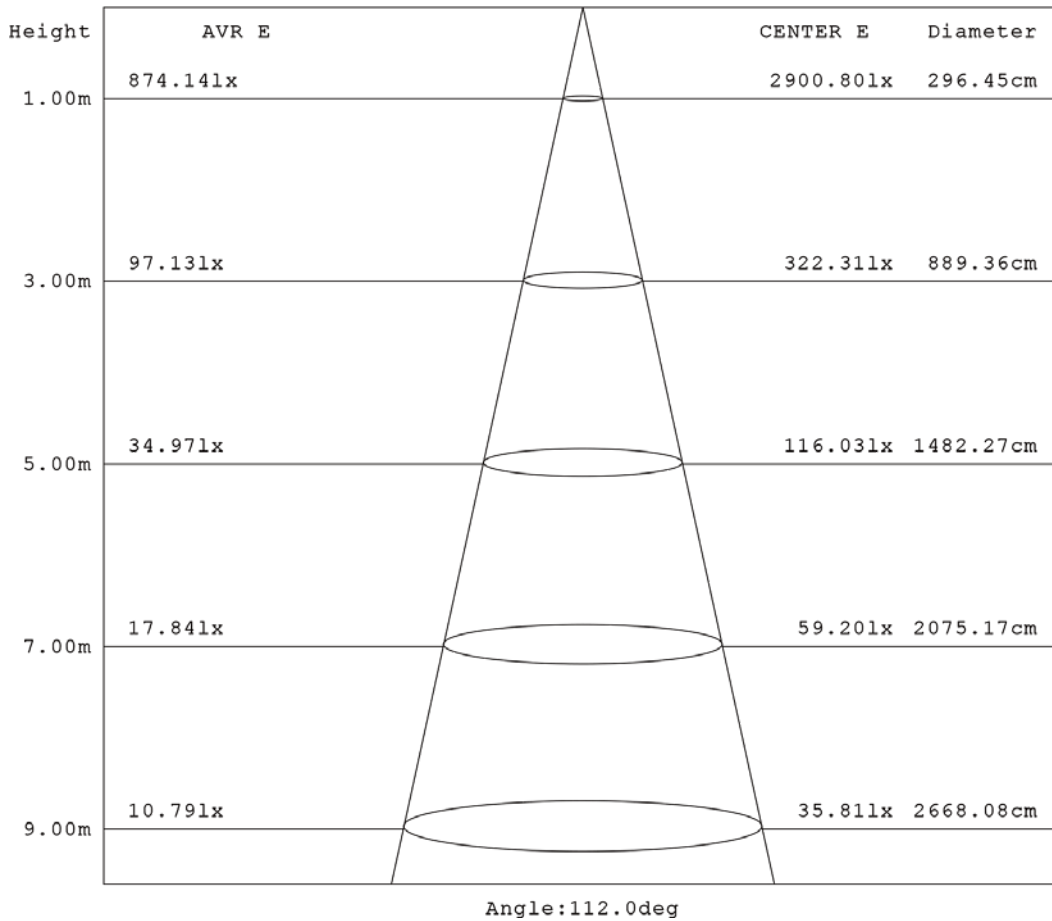
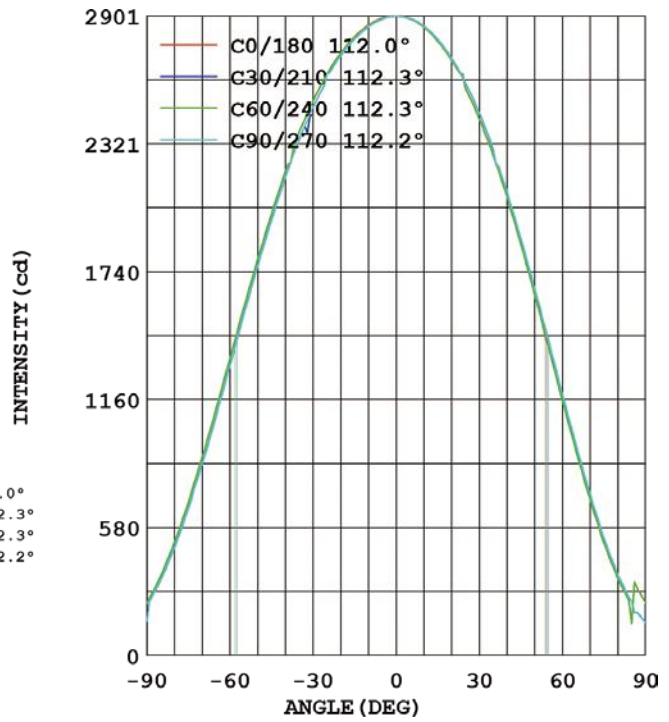
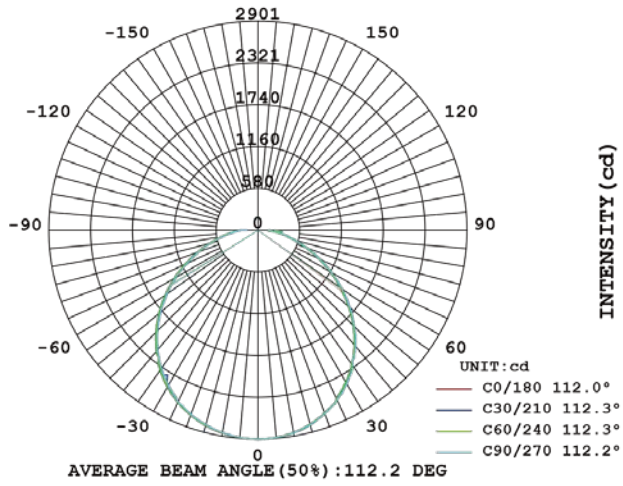
### Toepassingen

Afvalwaterzuivering, olie- en gasraffinaderijen, boorplatforms, petrochemische installaties, voedings- en drankenindustrie, tunnels, algemene verlichting binnen of buiten, en overal waar ontvlambare dampen, gassen, brandbaar stof, vezels of vlokken aanwezig zijn.

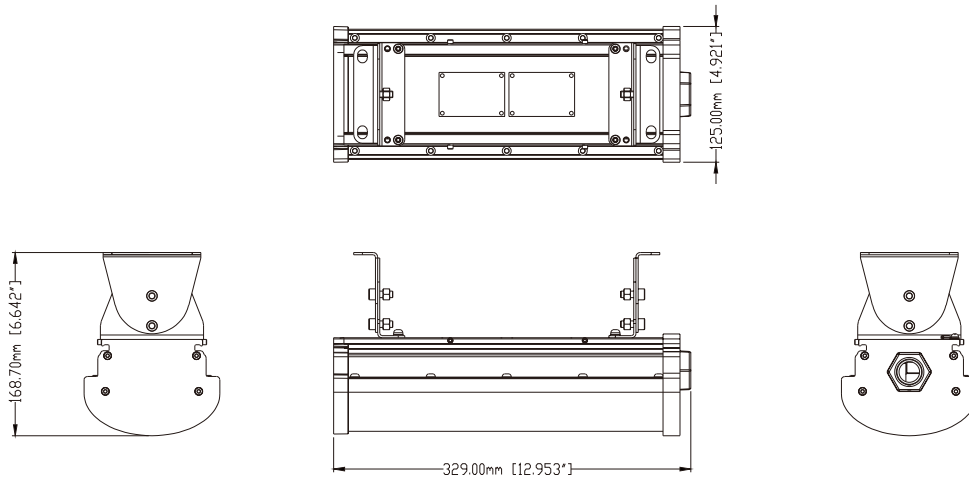
### Garantie

5-jaar garantie

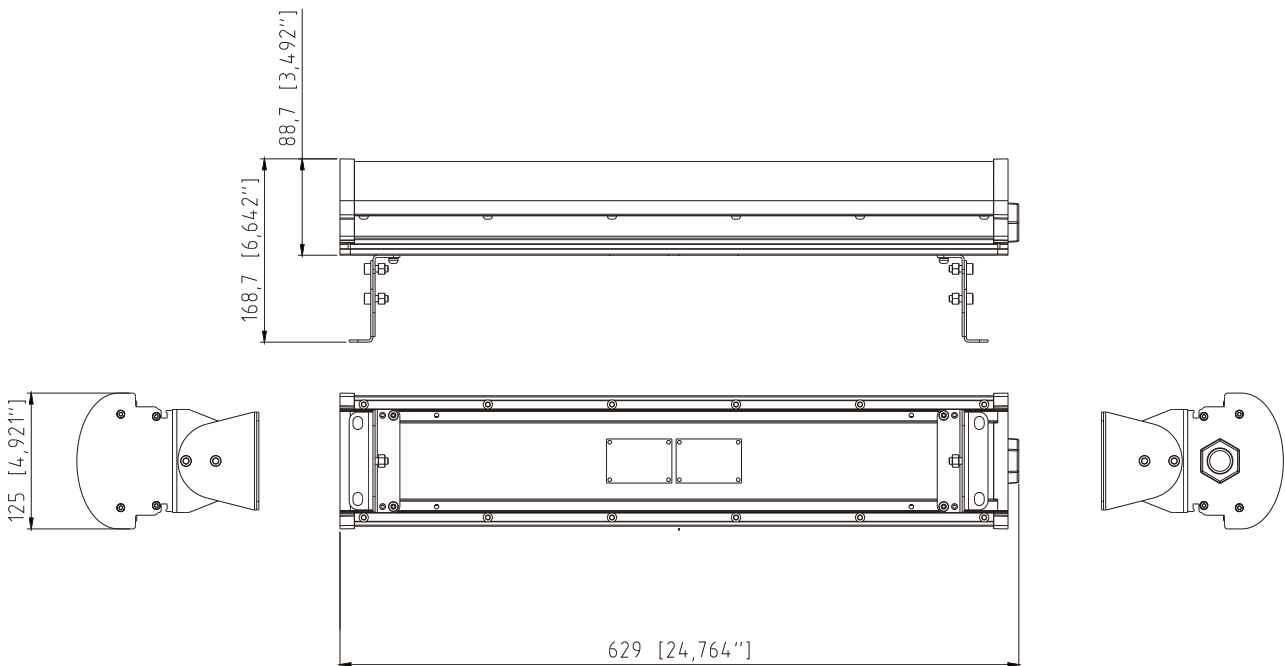
# Licht Verdeling



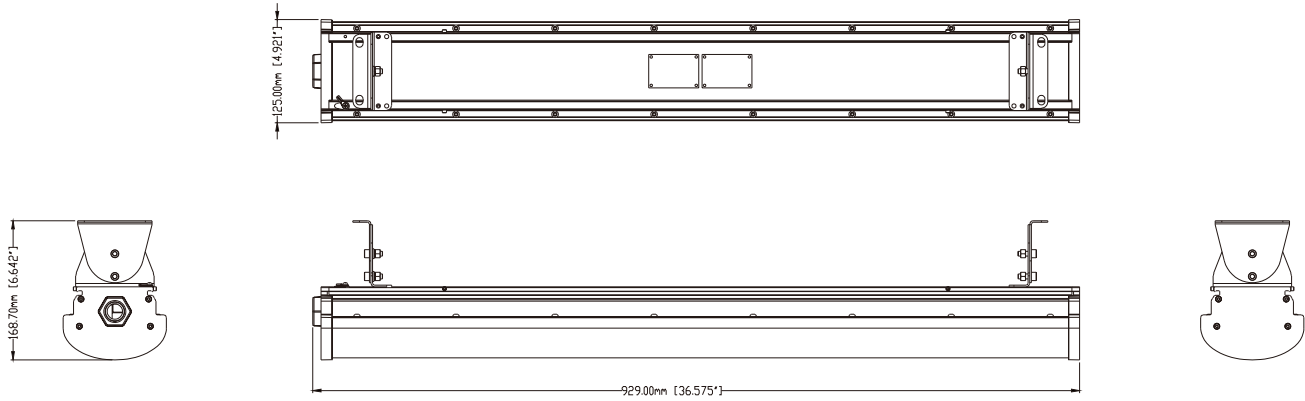
## Formaat en verpakking



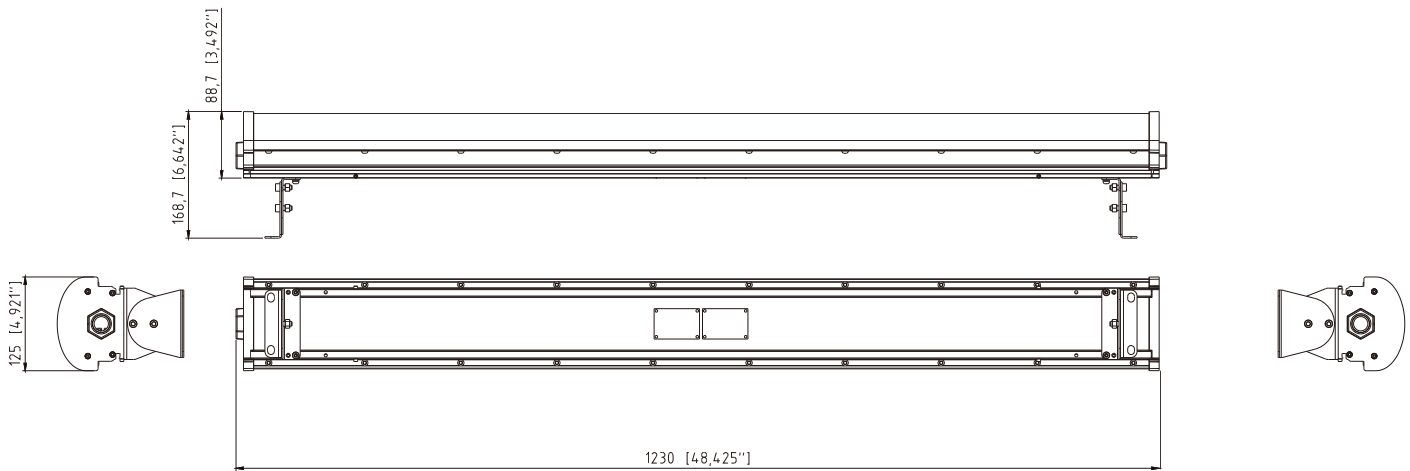
Product Model	Product Size	Carton Size	QTY/CTN	Net Weight	Gross Weight
TPCE-20-30	329mm×125mm×168.7mm	480mm×185mm×145mm	1	—	—
TPCE-30-30	329mm×125mm×168.7mm	480mm×185mm×145mm	1	—	—



Product Model	Product Size	Carton Size	QTY/CTN	Net Weight	Gross Weight
TPCE-20-60	629mm×125mm×168.7mm	780mm×185mm×145mm	1	4.6kg	5.1kg
TPCE-30-60	629mm×125mm×168.7mm	780mm×185mm×145mm	1	4.6kg	5.1kg
TPCE-40-60	629mm×125mm×168.7mm	780mm×185mm×145mm	1	4.6kg	5.1kg
TPCE-50-60	629mm×125mm×168.7mm	780mm×185mm×145mm	1	4.6kg	5.1kg



Product Model	Product Size	Carton Size	QTY/CTN	Net Weight	Gross Weight
TPCE-40-90	929mm×125mm×168.7mm	1080mm×185mm×145mm	1	—	—
TPCE-50-90	929mm×125mm×168.7mm	1080mm×185mm×145mm	1	—	—
TPCE-60-90	929mm×125mm×168.7mm	1080mm×185mm×145mm	1	—	—
TPCE-70-90	929mm×125mm×168.7mm	1080mm×185mm×145mm	1	—	—



Product Model	Product Size	Carton Size	QTY/CTN	Net Weight	Gross Weight
TPCE-40-120	1230mm×125mm×168.7mm	1380mm×185mm×145mm	1	7.7kg	8.5kg
TPCE-50-120	1230mm×125mm×168.7mm	1380mm×185mm×145mm	1	7.7kg	8.5kg
TPCE-60-120	1230mm×125mm×168.7mm	1380mm×185mm×145mm	1	7.7kg	8.5kg
TPCE-70-120	1230mm×125mm×168.7mm	1380mm×185mm×145mm	1	7.7kg	8.5kg
TPCE-80-120	1230mm×125mm×168.7mm	1380mm×185mm×145mm	1	7.7kg	8.5kg
TPCE-100-120	1230mm×125mm×168.7mm	1380mm×185mm×145mm	1	7.7kg	8.5kg

## Technical parameter

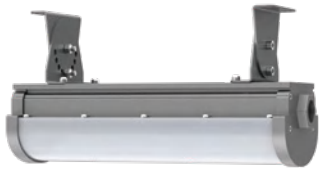
ProductModel	TPCE - 329 mm	TPCE - 629 mm
Type	LED Explosion proof Linear Light	LED Explosion proof Linear Light
luminous efficiency	140lm/W	140lm/W
Power (W)	20W / 30W	20W / 30W / 40W / 50W
Voltage - Frequency	100-277Vac 50-60Hz	100-277Vac 50-60Hz
Color Temp	5000K (Provides 3000K to 6500K)	5000K (Provides 3000K to 6500K)
CRI (Ra) (typ.)	≥70	≥70
Power Supply	High Efficiency LED driver, more than 50000 hours lifespan	High Efficiency LED driver, more than 50000 hours lifespan
Beam Angle	120°	120°
Power Factor	>0.95	>0.95
Rated Lifetime - L70 (hrs.)	>50,000	>50,000
THD	<10%	<10%
Operating temperature	-40 °C ~ 55 °C	-40 °C ~ 55 °C
Entry Size	3/4"-14 NPT or M25 X1.5 or M26 X1.5	3/4"-14 NPT or M25 X1.5 or M26 X1.5
Cable	Three-core rubber cable, IEC (CE) certification, with 0.5m cable (Standard)	Three-core rubber cable, IEC (CE) certification, with 0.5m cable (Standard)

**\*Emergency optional:** Emergency power: 12W    Emergency time: ≥90min    Battery: Li-ion battery- 11.1V/2500mAH

ProductModel	TPCE - 929 mm	TPCE - 1230 mm
Type	LED Explosion proof Linear Light	LED Explosion proof Linear Light
luminous efficiency	140lm/W	140lm/W
Power (W)	40W / 50W / 60W / 70W	40W / 50W / 60W / 70W / 80W / 100W
Voltage - Frequency	100-277Vac 50-60Hz	100-277Vac 50-60Hz
Color Temp	5000K (Provides 3000K to 6500K)	5000K (Provides 3000K to 6500K)
CRI (Ra) (typ.)	≥70	≥70
Power Supply	High Efficiency LED driver, more than 50000 hours lifespan	High Efficiency LED driver, more than 50000 hours lifespan
Beam Angle	120°	120°
Power Factor	>0.95	>0.95
Rated Lifetime - L70 (hrs.)	>50,000	>50,000
THD	<10%	<10%
Operating temperature	-40 °C ~ 55 °C	-40 °C ~ 55 °C
Entry Size	3/4"-14 NPT or M25 X1.5 or M26 X1.5	3/4"-14 NPT or M25 X1.5 or M26 X1.5
Cable	Three-core rubber cable, IEC (CE) certification, with 0.5m cable (Standard)	Three-core rubber cable, IEC (CE) certification, with 0.5m cable (Standard)

**\*Emergency optional:** Emergency power: 12W    Emergency time: ≥90min    Battery: Li-ion battery- 11.1V/2500mAH

## Afbeelding



TPCE 329mm



TPCE 629mm



TPCE 929mm

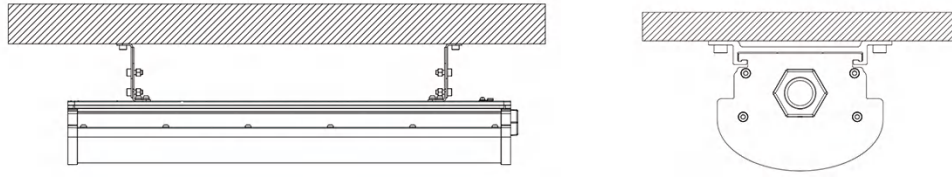


TPCE 1230mm

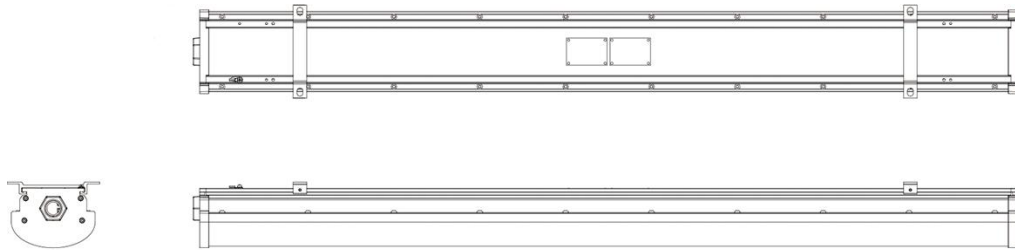
## Installatie mogelijkheden



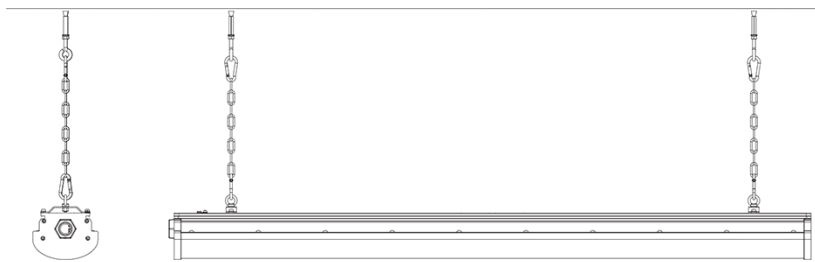
## Installatie methode



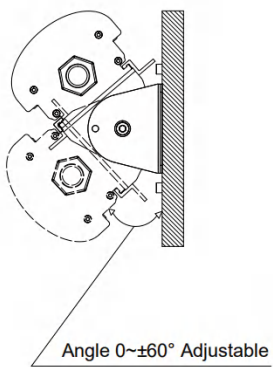
A. Ceiling mounting



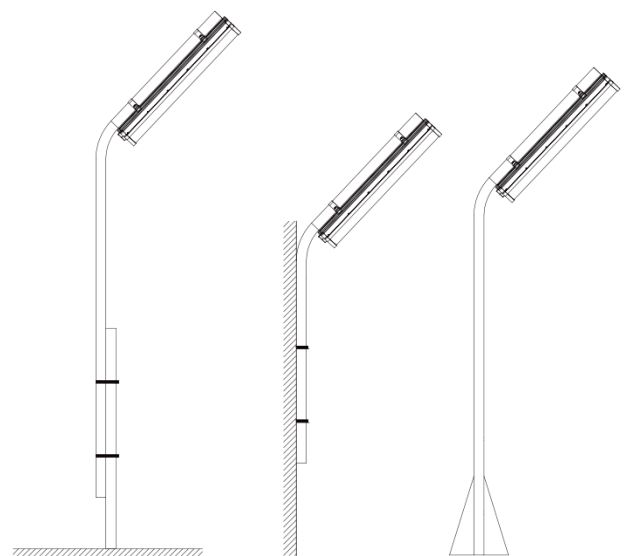
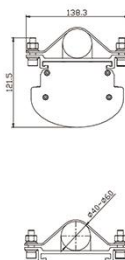
B. Pendant mounting



C. Pendant chain mounting



D. Wall mounting



E. Pole Mounting