

LUMEV TPCE SERIES

CES-EX-LN-02P Series LED Luminaires

Technical Manual

Applications:

- Wastewater treatment, oil and gas refineries, drilling rigs, petrochemical facilities, food and beverage facilities, tunnels, outdoor or indoor mounted general area lighting, and where flammable vapors, gases, ignitable dusts, fibers or flyings are present.

Features:

- Industry-leading efficacy: up to 140LPW;
- CTT: 3000K~6500K;
- CRI: ≥ 70 ;
- -40°C to +50°C ambient operating temperature
- Low profile fixture
- Flush, swivel and pole mount options
- Fixture warranty
- Entry Size: 3/4"-14 NPT or M25 X1.5 or M26 X1.5;

Standard Materials:

- Housing –Aluminum alloy (ADC12 and 6063);
- Lens –Polycarbonate (PC);

Mounting (ordered separately):

Versatile mounting options:

- Ceiling mount
- Wall Mount



Mounting Angle: 0° to $\pm 90^\circ$;

Certifications and compliances:

IECEX:

- Ex eb mb IIC T5...T6 Gb;
- Ex tb IIIC T**° C;
- IP66;

ATEX:

-  II 2G Ex eb mb IIC T5...T6 Gb;
-  II 2D Ex tb IIIC T**° C;
- IP66;

“*”:

Model \ Ta	Ambient temperature range			
	Zone 1			Zone 21
	-40° C ~ 40° C	-40° C ~ 45° C	-40° C ~ 50° C	-40° C ~ 50° C
CES-EX-LN-02P-30A	T6	T5	T5	120° C
CES-EX-LN-02P-20A	T6	T5	T5	120° C
CES-EX-LN-02P-50B	T6	T5	T5	120° C
CES-EX-LN-02P-40B	T6	T5	T5	116° C
CES-EX-LN-02P-30B	T6	T5	T5	116° C
CES-EX-LN-02P-20B	T6	T5	T5	116° C
CES-EX-LN-02P-70C	T6	T5	T5	120° C
CES-EX-LN-02P-60C	T6	T5	T5	120° C
CES-EX-LN-02P-50C	T6	T5	T5	120° C
CES-EX-LN-02P-40C	T6	T5	T5	120° C
CES-EX-LN-02P-30C	T6	T5	T5	120° C
CES-EX-LN-02P-20C	T6	T5	T5	120° C
CES-EX-LN-02P-100D	T5	T5	T4	120° C
CES-EX-LN-02P-80D	T5	T5	T4	120° C
CES-EX-LN-02P-70D	T6	T5	T5	120° C
CES-EX-LN-02P-60D	T6	T5	T5	116° C
CES-EX-LN-02P-50D	T6	T5	T5	116° C
CES-EX-LN-02P-40D	T6	T5	T5	116° C

Standard :

ATEX: EN IEC 60079-0-2018; EN 60079-7-2015; EN 60079-18-2015; EN 60079-31-2014;

IECEX: IEC 60079-0-2017; IEC 60079-7-2015; IEC 60079-18-2014; IEC 60079-31-2013;

Warning:

IECEX & ATEX :

- “CAUTION-USEFASTENER WITH YIELD STRESS≥640 MPa”;
- “WARNING – DO NOT OPEN WHEN ENERGIZED”;
- “WARNING – DO NOT OPEN WHEN AN EXPLOSIVE ATMOSPHERE IS PRESENT”;
- “WARNING – ONLY USE CABLES SUITABLE FOR 85°C”;
- End user shall use certified cable gland suitable type of protection for final installation purpose;
- End users should avoid the danger of static electricity during use.
- External earthing wire shall be connected when used and the cross-sectional area shall be more than 4mm² or 10AWG;
- Under rating condition, maximum temperature on the luminaire’s shell shall not be higher than 90°C for T5. Temperature at cable inlet shall not be higher than allowable

limit of the cable applied, to ensure the cable operation normally. The branch point is 83.6°C and cable entry point is 69.4°C

Technical table:

Model	Power (W)	Input voltage: AC100V-277V; Frequency: 50/60Hz;							
		Output voltage: 30V~56Vdc							
		CCT: 3000K~6500K							
		Power factor:0.97							
		Luminous flux (LM)	Light efficiency (Lm/W)	LEDs Chip led	LEDs Type	Power Model	Weights (kg)	Length (m)	
CES-EX-LN-02P-30A	30	4200	140	72PCS	3030 (6V)	X1-30-56	2.5	0.3	
CES-EX-LN-02P-20A	20	2800							
CES-EX-LN-02P-50B	50	7000	140	144PCS	3030 (6V)	X1-50-56	3.0	0.6	
CES-EX-LN-02P-40B	40	5600							
CES-EX-LN-02P-30B	30	4200				X1-30-56			
CES-EX-LN-02P-20B	20	2800							
CES-EX-LN-02P-70C	70	9800							
CES-EX-LN-02P-60C	60	8400	140	216PCS	3030 (6V)	X1-70-56	4.5	0.9	
CES-EX-LN-02P-50C	50	7000							
CES-EX-LN-02P-40C	40	5600				X1-50-56			
CES-EX-LN-02P-100D	100	14000							
CES-EX-LN-02P-80D	80	11200	140	288PCS,360PCS	3030 (6V)	X1-100-56	7.8-9	1.2-1.5	
CES-EX-LN-02P-70D	70	9800							
CES-EX-LN-02P-60D	60	8400				X1-70-56			
CES-EX-LN-02P-50D	50	7000							
CES-EX-LN-02P-40D	40	5600							X1-50-56

Note: The power supply is sealed; LED are sealed with transparent silicone.

Dimensions:

Figure 1 applies to CES-EX-LN-02P-30A , CES-EX-LN-02P-20A , CES-EX-LN-02P-10A ,

Size: L x W x H:329 mm x 125mm x 88.7 mm

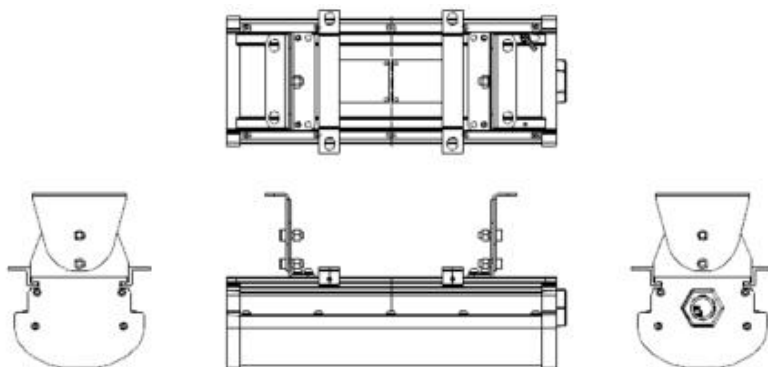


Figure 1

Figure 2 applies to CES-EX-LN-02P-50B, CES-EX-LN-02P-40B, CES-EX-LN-02P-30B, CES-EX-LN-02P-20B,

Size: L x W x H: 629 mm x 125mm x 88.7 mm

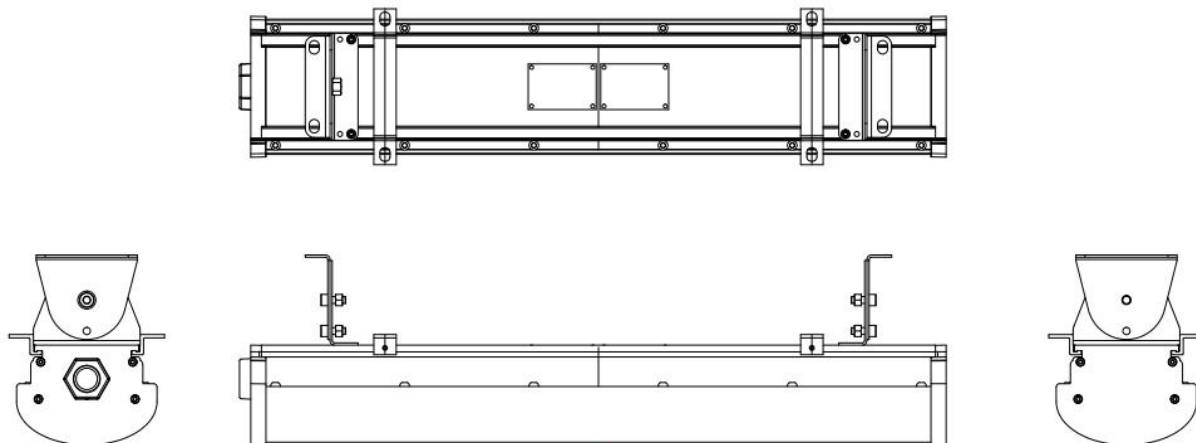


Figure 2

Figure 3 applies to CES-EX-LN-02P-70C, CES-EX-LN-02P-60C, CES-EX-LN-02P-50C, CES-EX-LN-02P-40C, CES-EX-LN-02P-30C

Size: L x W x H: 929 mm x 125mm x 88.7 mm

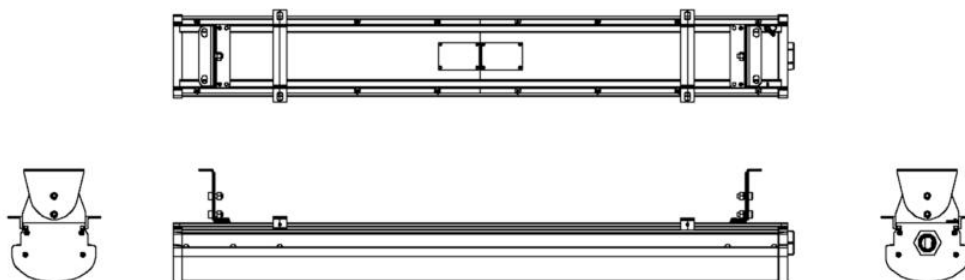


Figure 3

Figure 4 applies to CES-EX-LN-02P-100D, CES-EX-LN-02P-80D, CES-EX-LN-02P-7D, CES-EX-LN-02P-60D, CES-EX-LN-02P-50D, CES-EX-LN-02P-40D.

Size: L x W x H: 1229 mm x 125mm x 88.7 mm, 1529 mm x 125mm x 88.7mm

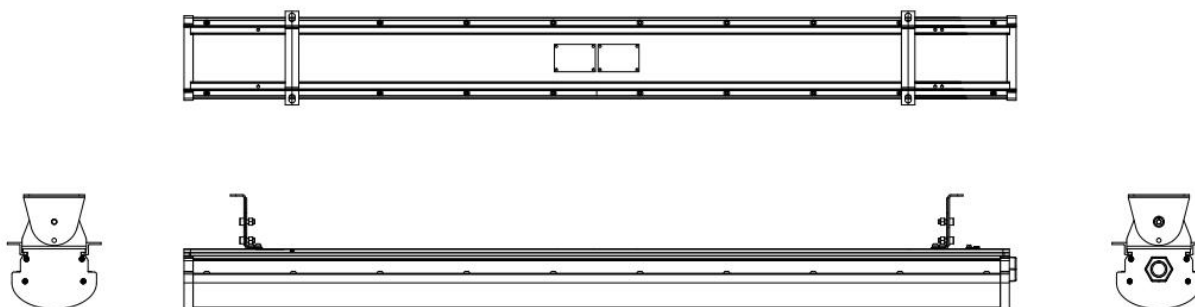


Figure 4

Ordering information:

CES-EX-LN-02P-WX-A-B-C

CES- SHENZHEN CESP

EX-Explosionproof

LN- Linear

02P- Serial number

W- Power

X- Size, A: 0.3m, B: 0.6m, C: 0.9m, D: 1.2m,1.5m

A- CCT, 01:3000K; 02: 4000K;03: 6500K....

B- Mounting, 01: Ceiling/swivel mount; 02: U bracket mount; 03:Pole mount.....

C-Other;

Part number example: CES-EX-LN-02P-30A-02-01; That mean30W, 0.3m, CCT 4000K, Ceiling mount.

Address:6Th Fl Wangcheng Bldg, Longhua St, Longhua District, Shenzhen, Guangdong, CHINA