

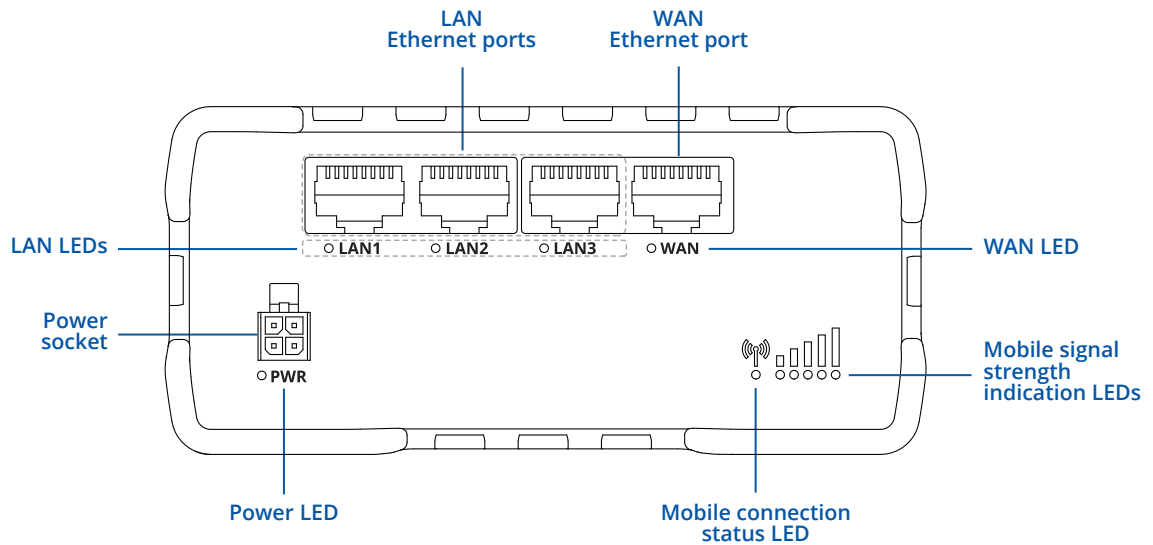


RUT901

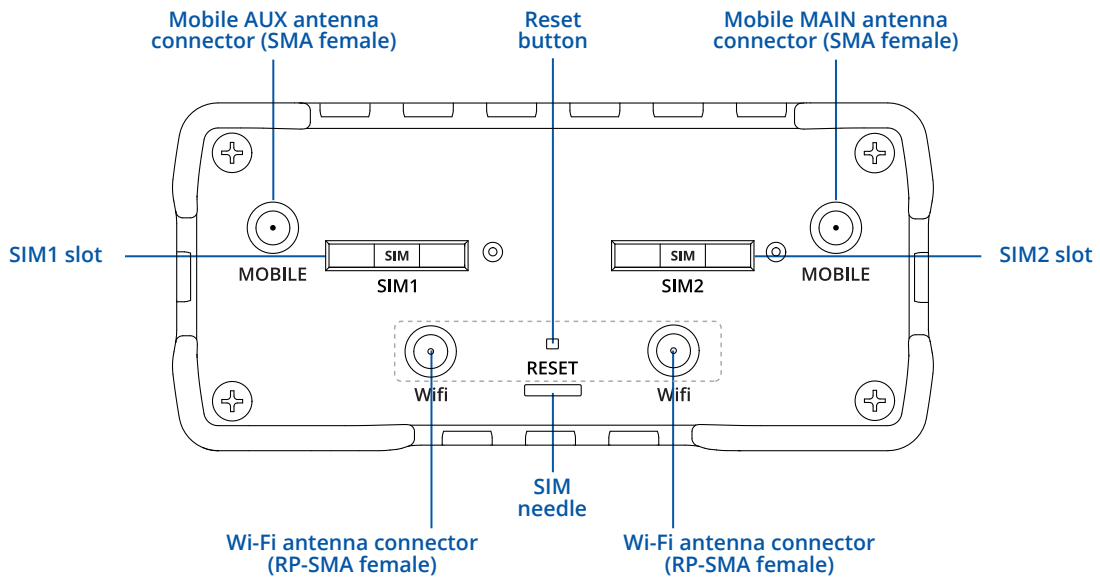


HARDWARE

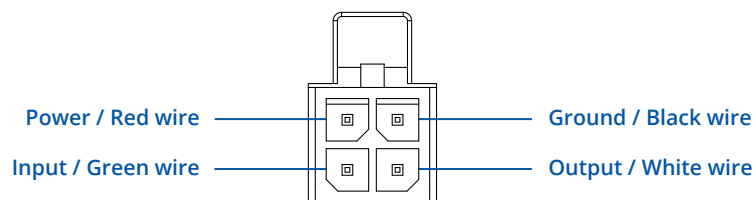
FRONT VIEW



BACK VIEW



POWER SOCKET PINOUT



FEATURES

MOBILE

| | |
|------------------|---|
| Mobile module | 4G (LTE) – Cat 4 up to 150 Mbps, 3G – Up to 21 Mbps, 2G – Up to 236.8 kbps |
| SIM switch | 2 SIM cards, auto-switch cases: weak signal, data limit, SMS limit, roaming, no network, network denied, data connection fail, SIM idle protection |
| Status | Signal strength (RSSI), SINR, RSRP, RSRQ, EC/IO, RSCP, Bytes sent/received, connected band, IMSI, ICCID |
| SMS | SMS status, SMS configuration, send/read SMS via HTTP POST/GET, EMAIL to SMS, SMS to EMAIL, SMS to HTTP, SMS to SMS, scheduled SMS, SMS autoreply, SMPP |
| Black/White list | Operator black/white list |
| Band management | Band lock, Used band status display |
| APN | Auto APN |
| Bridge | Direct connection (bridge) between mobile ISP and device on LAN |
| Passthrough | Router assigns its mobile WAN IP address to another device on LAN |

WIRELESS

| | |
|------------------|--|
| Wireless mode | IEEE 802.11b/g/n, Access Point (AP), Station (STA) |
| Wi-Fi security | WPA-PSK/WPA2-PSK Mixed Mode, WPA2-PSK, WPA2-EAP, WPA2-EAP/WPA3-EAP Mixed Mode, WPA3-EAP, WPA2-PSK/WPA3-SAE Mixed Mode, WPA3-SAE, OWE; AES-CCMP, TKIP, Auto Cipher modes, client separation |
| SSID | SSID stealth mode and access control based on MAC address |
| Wi-Fi users | Up to 100 simultaneous connections |
| Wireless Hotspot | Captive portal (Hotspot), internal/external Radius server, built in customizable landing page |

ETHERNET

| | |
|-----|---|
| WAN | 1 x WAN port (can be configured to LAN) 10/100 Mbps, compliance IEEE 802.3, IEEE 802.3u standards, supports auto MDI/MDIX |
| LAN | 3 x LAN ports, 10/100 Mbps, compliance IEEE 802.3, IEEE 802.3u standards, supports auto MDI/MDIX |

NETWORK

| | |
|------------------------------------|--|
| Routing | Static routing, Dynamic routing (BGP, OSPF v2, RIP v1/v2, NHRP) |
| Network protocols | TCP, UDP, IPv4, IPv6, ICMP, NTP, DNS, HTTP, HTTPS, FTP, SMTP, SSL v3, TLS, ARP, VRRP, PPP, PPPoE, UPNP, SSH, DHCP, Telnet, SMPP, SMNP, MQTT, Wake On Lan (WOL) |
| VoIP passthrough support | H.323 and SIP-alg protocol NAT helpers, allowing proper routing of VoIP packets |
| Connection monitoring | Ping Reboot, Wget Reboot, Periodic Reboot, LCP and ICMP for link inspection |
| Firewall | Port forward, traffic rules, custom rules |
| DHCP | Static and dynamic IP allocation, DHCP Relay, Relayd |
| QoS / Smart Queue Management (SQM) | Traffic priority queuing by source/destination, service, protocol or port, WMM, 802.11e |
| DDNS | Supported >25 service providers, others can be configured manually |
| Network backup | VRRP, Mobile, Wired and WiFi WAN options, each of which can be used as backup, using automatic Failover |
| Load balancing | Balance your internet traffic over multiple WAN connections |
| SSHFS | Possibility to mount remote file system via SSH protocol (not available in standard FW) |

SECURITY

| | |
|----------------------|---|
| Authentication | Pre-shared key, digital certificates, X.509 certificates |
| Firewall | Pre-configured firewall rules can be enabled via web-ui, unlimited firewall configuration via CLI; DMZ; NAT; NAT-T |
| Attack prevention | DDOS prevention (SYN flood protection, SSH attack prevention, HTTP/HTTPS attack prevention), port scan prevention (SYN-FIN, SYN-RST, X-mas, NULL flags, FIN scan attacks) |
| VLAN | Port and tag based VLAN separation |
| Mobile quota control | Set up custom data limits for both SIM cards |
| WEB filter | Blacklist for blocking out unwanted websites, whitelist for specifying allowed sites only |
| Access control | Flexible access control of TCP, UDP, ICMP packets, MAC address filter |

VPN

| | |
|--------------------|---|
| OpenVPN | Multiple clients and server can be running simultaneously, 12 encryption methods |
| OpenVPN Encryption | DES-CBC, RC2-CBC, DES-EDE-CBC, DES-EDE3-CBC, DESX-CBC, BF-CBC, RC2-40-CBC, CAST5-CBC, RC2-64-CBC, AES-128-CBC, AES-192-CBC, AES-256-CBC |
| IPsec | IKEv1, IKEv2, supports up to 4 x VPN IPsec tunnels (instances), with 5 encryption methods (DES, 3DES, AES128, AES192, AES256) |
| GRE | GRE tunnel |
| PPTP, L2TP | Client/Server services can run simultaneously |
| Stunnel | Proxy designed to add TLS encryption functionality to existing clients and servers without any changes in the programs' code |
| DMVPN | Method of building scalable IPsec VPNs |
| SSTP | SSTP client instance support |
| ZeroTier | ZeroTier VPN |
| WireGuard | WireGuard VPN client and server support |

MODBUS TCP SLAVE

| | |
|---------------------|---|
| ID range | Respond to one ID in range [1;255] or any |
| Allow Remote Access | Allow access through WAN |
| Custom registers | MODBUS TCP custom register block requests, which read/write to a file inside the router, and can be used to extend MODBUS TCP Slave functionality |

MODBUS TCP MASTER

| | |
|------------------------|--|
| Supported functions | 01, 02, 03, 04, 05, 06, 15, 16 |
| Supported data formats | 8 bit: INT, UINT; 16 bit: INT, UINT (MSB or LSB first); 32 bit: float, INT, UINT (ABCD (big-endian), DCBA (little-endian), CDAB, BADC) |

MODBUS DATA TO SERVER

| | |
|----------|---------------------------|
| Protocol | HTTP(S), MQTT, Azure MQTT |
|----------|---------------------------|

MQTT GATEWAY

| | |
|---------|---|
| Gateway | Allows sending commands and receiving data from MODBUS Master through the MQTT broker |
|---------|---|

DNP3

| | |
|-----------------|-------------------------------|
| Supported modes | DNP3 Station, DNP3 Outstation |
|-----------------|-------------------------------|

MONITORING & MANAGEMENT

| | |
|----------|--|
| WEB UI | HTTP/HTTPS, status, configuration, FW update, CLI, troubleshoot, event log, system log, kernel log |
| FOTA | Firmware update from server, automatic notification |
| SSH | SSH (v1, v2) |
| SMS | SMS status, SMS configuration, send/read SMS via HTTP POST/GET |
| Call | Reboot, Status, WiFi on/off, Mobile data on/off, Output on/off, answer/hang-up with a timer |
| TR-069 | OpenACS, EasyCwmp, ACSLite, tGem, LibreACS, GenieACS, FreeACS, LibCWMP, Friendly tech, AVSystem |
| MQTT | MQTT Broker, MQTT publisher |
| SNMP | SNMP (v1, v2, v3), SNMP trap |
| JSON-RPC | Management API over HTTP/HTTPS |
| MODBUS | MODBUS TCP status/control |
| RMS | Teltonika Remote Management System (RMS) |

IoT PLATFORMS

| | |
|------------------|---|
| Clouds of things | Allows monitoring of: Device data, Mobile data, Network info, Availability |
| ThingWorx | Allows monitoring of: WAN Type, WAN IP Mobile Operator Name, Mobile Signal Strength, Mobile Network Type |
| Cumulocity | Allows monitoring of: Device Model, Revision and Serial Number, Mobile Cell ID, ICCID, IMEI, Connection Type, Operator, Signal Strength, WAN Type and IP |
| Azure IoT Hub | Can send device IP, Number of bytes send/received/ 3G connection state, Network link state, IMEI, ICCID, Model, Manufacturer, Serial, Revision, IMSI, Sim State, PIN state, GSM signal, WCDMA RSCP WCDMA EC/IO, LTE RSRP, LTE SINR, LTE RSRQ, CELL ID, Operator, Operator number, Connection type, Temperature, PIN count to Azure IoT Hub server |

SYSTEM CHARACTERISTICS

| | |
|---------------|------------------------------|
| CPU | MediaTek, MIPS 24KEc, 580MHz |
| RAM | 128 MB, DDR2 |
| FLASH storage | 16 MB, SPI Flash |

FIRMWARE / CONFIGURATION

| | |
|---------------|--|
| WEB UI | Update FW from file, check FW on server, configuration profiles, configuration backup, restore point |
| FOTA | Update FW |
| RMS | Update FW/configuration for multiple devices |
| Keep settings | Update FW without losing current configuration |

FIRMWARE CUSTOMIZATION

| | |
|---------------------|---|
| Operating system | RutOS (OpenWrt based Linux OS) |
| Supported languages | Busybox shell, Lua, C, C++ |
| Development tools | SDK package with build environment provided |

INPUT/OUTPUT

| | |
|-------------|---|
| Input | 1 x Digital Input, 0 - 5 V detected as logic low, 8 - 30 V detected as logic high |
| Output | 1 x Digital Output, Open collector output, max output 30 V, 300 mA |
| Events | SMS |
| I/O juggler | Allows to set certain I/O conditions to initiate event |

POWER

| | |
|---------------------|--|
| Connector | 4-pin industrial DC power socket |
| Input voltage range | 9 - 30 VDC, reverse polarity protection; surge protection >31 VDC 10us max |
| PoE (passive) | Passive PoE over spare pairs. Possibility to power up through LAN port, not compatible with IEEE802.3af, 802.3at and 802.3bt standards |
| Power consumption | < 2 W idle, < 7 W Max |

PHYSICAL INTERFACES (PORTS, LEDS, ANTENNAS, BUTTONS, SIM)

| | |
|-------------|--|
| Ethernet | 4 x RJ45 ports, 10/100 Mbps |
| I/O's | 1 x Digital Input, 1 x Digital Output on 4-pin power connector |
| Status LEDs | 1 x bi-color connection status LED, 5 x connection strength LEDs, 4 x LAN status LEDs, 1 x Power LED |
| SIM | 2 x SIM slots (Mini SIM - 2FF), 1.8 V/3 V, external SIM holders, eSIM (Optional) |
| Power | 1 x 4-pin power connector |
| Antennas | 2 x SMA female for LTE, 2 x RP-SMA female for WiFi antenna connectors |
| Reset | Reboot/User default reset/Factory reset button |

PHYSICAL SPECIFICATION

| | |
|------------------------|--|
| Casing material | Aluminium housing, plastic panels |
| Dimensions (W x H x D) | 110 x 50 x 100 mm |
| Weight | 297 g |
| Mounting options | DIN rail (can be mounted on three sides), flat surface placement |

OPERATING ENVIRONMENT

| | |
|---------------------------|---------------------------|
| Operating temperature | -40 °C to 75 °C |
| Operating humidity | 10% to 90% non-condensing |
| Ingress Protection Rating | IP30 |

REGULATORY & TYPE APPROVALS

| | |
|------------|-----------------------------|
| Regulatory | CE/RED, UKCA, EAC, UCRF, CB |
|------------|-----------------------------|

EMI IMMUNITY

| | |
|------------------|--|
| Standards | EN 301 489-1 V2.2.3, Draft EN 301 489-17 V3.2.4, EN 301 489-52 V1.2.1, EN 55032:2015+A11:2020+A1:2020, EN 55035:2017+A11:2020; EN IEC 61000-3-2:2019+A1:2021; EN 61000-3-3:2013 + A1:2019+A2:2021; |
| ESD | EN 61000-4-2:2009 |
| RS | EN 61000-4-2:2009 |
| EFT | EN 61000-4-4:2012 |
| Surge protection | EN 61000-4-5:2014+A1:2017 |
| CS | EN 61000-4-6:2014 |
| DIP | EN IEC 61000-4-11:2020 |

RF

| | |
|-----------|--|
| Standards | EN 300 328 V2.2.2, EN 301 511 V12.5.1, EN 301 908-1 V15.1.1, EN 301 908-2 V13.1.1, EN 301 908-13 V13.1.1 |
|-----------|--|

SAFETY







| | |
|-----------|---|
| Standards | EN IEC 62311:2020; IEC 62368-1:2018 EN IEC 62368-1:2020+A11:2020; EN 50665:2017 |
|-----------|---|

WHAT'S IN THE BOX?

STANDARD PACKAGE CONTAINS*

- Router RUT901
- 9 W PSU
- 2 x LTE antennas (swivel, SMA male)
- 2 x Wi-Fi antennas (swivel, RP-SMA male)
- Ethernet cable (1.5 m)
- SIM Adapter kit
- QSG (Quick Start Guide)
- Packaging box



| | | |
|--|---|--|
|  <p>ROUTER RUT901</p> |  <p>9 W PSU</p> |  <p>2 X LTE ANTENNAS (SWIVEL, SMA MALE)</p> |
|  <p>2 X WI-FI ANTENNAS (SWIVEL, RP-SMA MALE)</p> |  <p>SIM ADAPTER KIT</p> |  <p>ETHERNET CABLE (1.5 M)</p> |

* For all standard order codes standard package contents are the same, except for PSU.

STANDARD ORDER CODES

| PRODUCT CODE | HS CODE | HTS CODE | PACKAGE CONTAINS |
|---------------|---------|------------|--------------------------------|
| RUT901 000000 | 851762 | 8517.62.00 | Standard package with Euro PSU |
| RUT901 100000 | 851762 | 8517.62.00 | Standard package with Euro PSU |

For more information on all available packaging options – please contact us directly.

AVAILABLE VERSIONS

| PRODUCT CODE | REGION (OPERATOR) | FREQUENCY |
|---------------|---|---|
| RUT901 0***** | Europe ¹ , Asia-Pacific, Australia | <ul style="list-style-type: none"> ● 4G (LTE-FDD): B1, B3, B5, B7, B8, B20, B28 ● 4G (LTE-TDD): B38, B40, B41 ● 3G: B1, B5, B8 ● 2G: B3, B8 |
| RUT9011***** | Latin America | <ul style="list-style-type: none"> ● 4G (LTE-FDD): B1, B2, B3, B4, B5, B7, B8, B28, B66 ● 4G (LTE-TDD): B40 ● 3G: B1, B2, B4, B5, B8 ● 2G: B2, B3, B5, B8 |

The price and lead-times for region (operator) specific versions may vary. For more information please contact us.

* - For more detailed information, visit our Wiki
¹ - Regional availability - excluding Russia & Belarus.

RUT901 SPATIAL MEASUREMENTS & WEIGHT

MAIN MEASUREMENTS

W x H x D dimensions for RUT901:

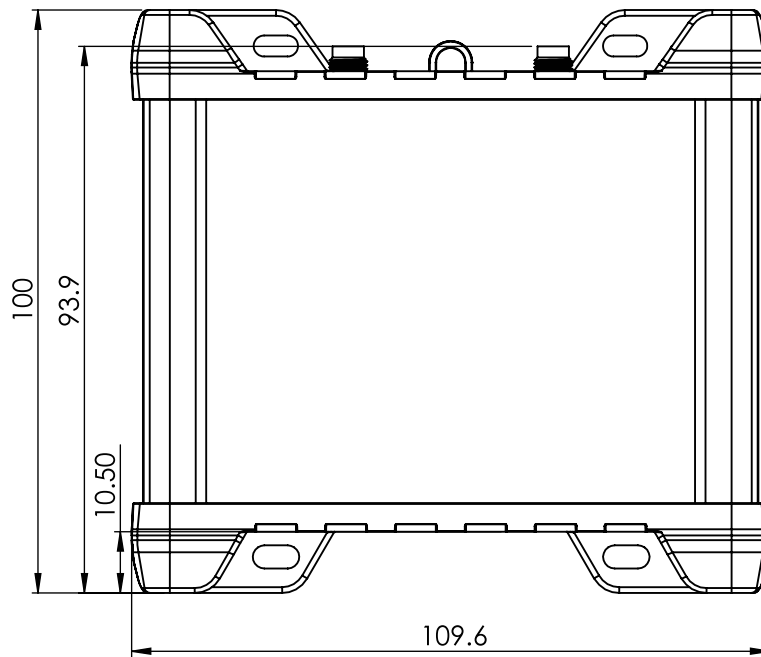
Device housing*: 110 x 50 x 100 mm

Box: 355 x 60 x 175 mm

*Housing measurements are presented without antenna connectors and screws; for measurements of other device elements look to the sections below.

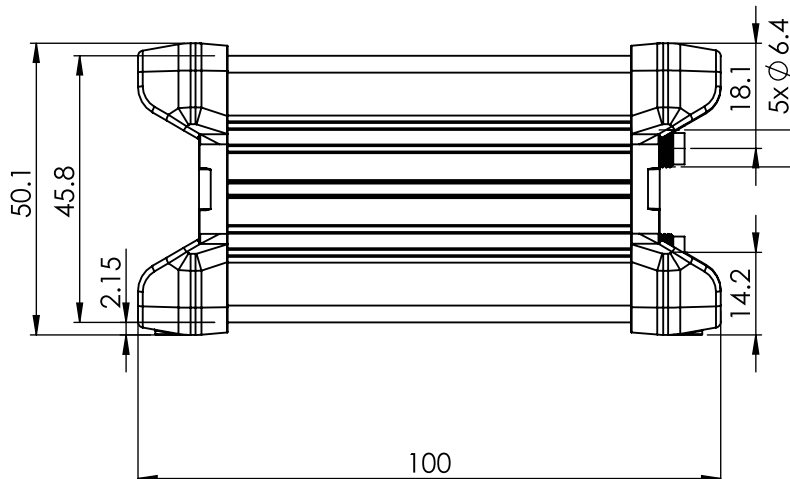
TOP VIEW

The figure below depicts the measurements of RUT901 and its components as seen from the top:



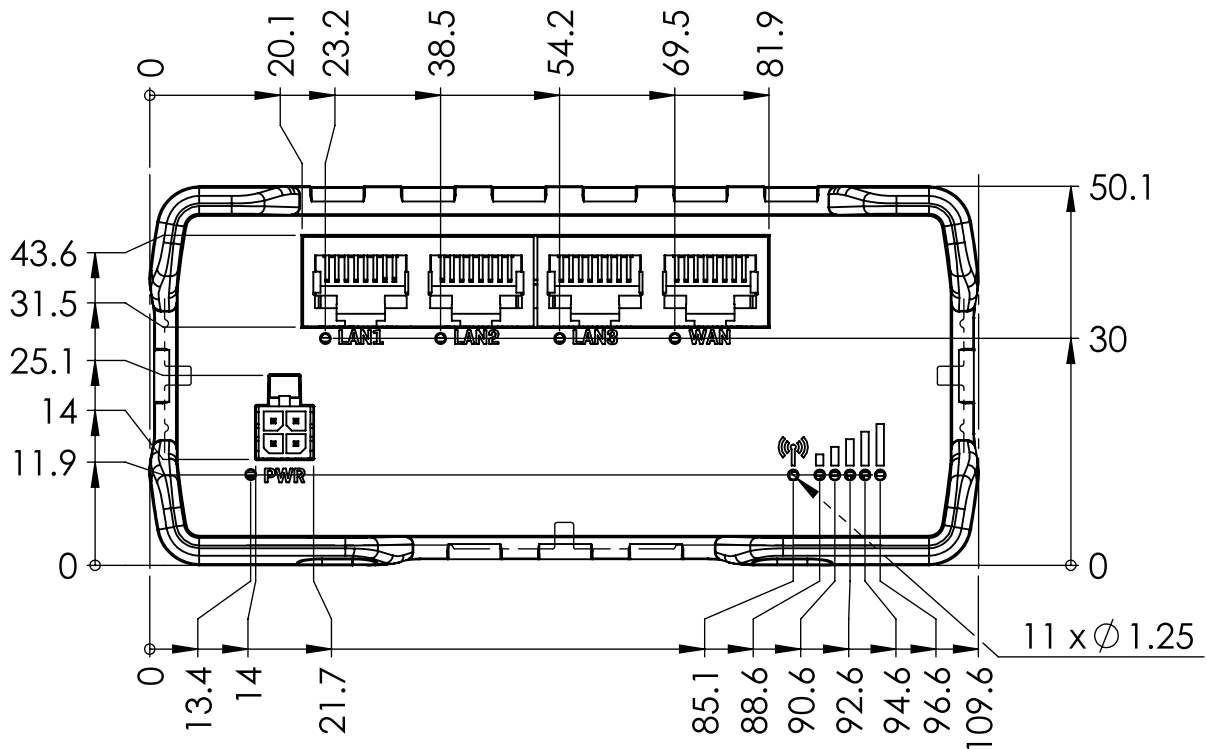
RIGHT VIEW

The figure below depicts the measurements of RUT901 and its components as seen from the right side:



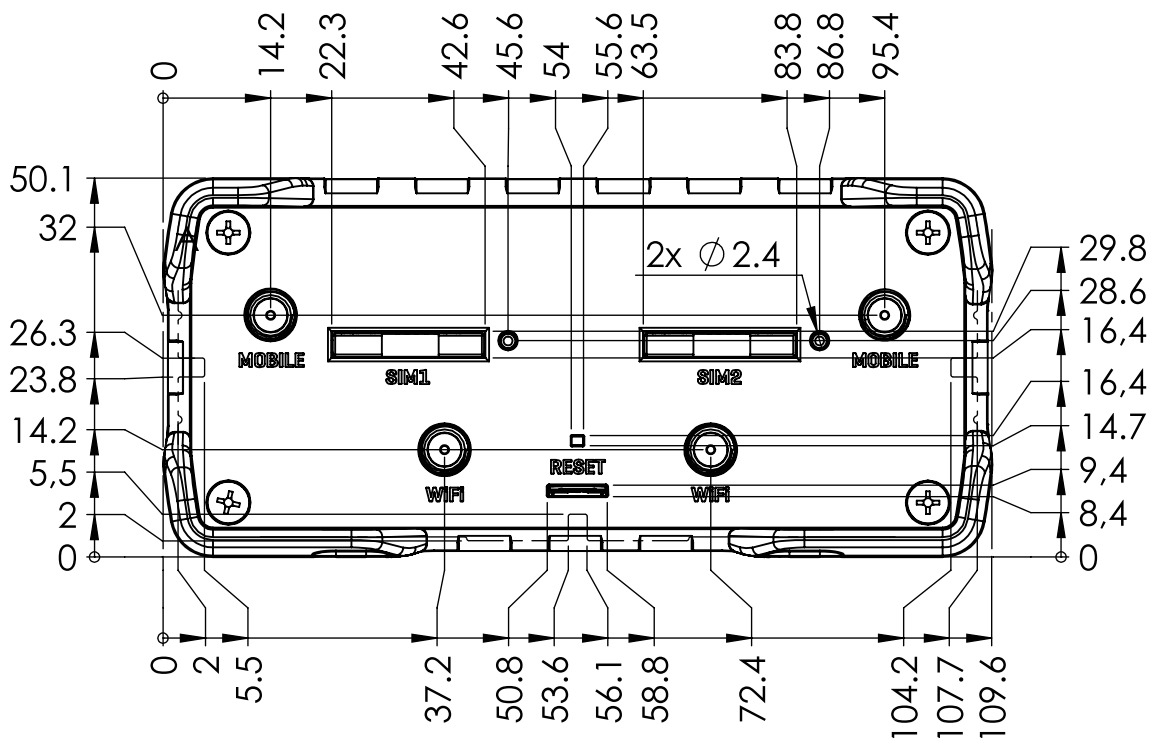
FRONT VIEW

The figure below depicts the measurements of RUT901 and its components as seen from the front panel side:



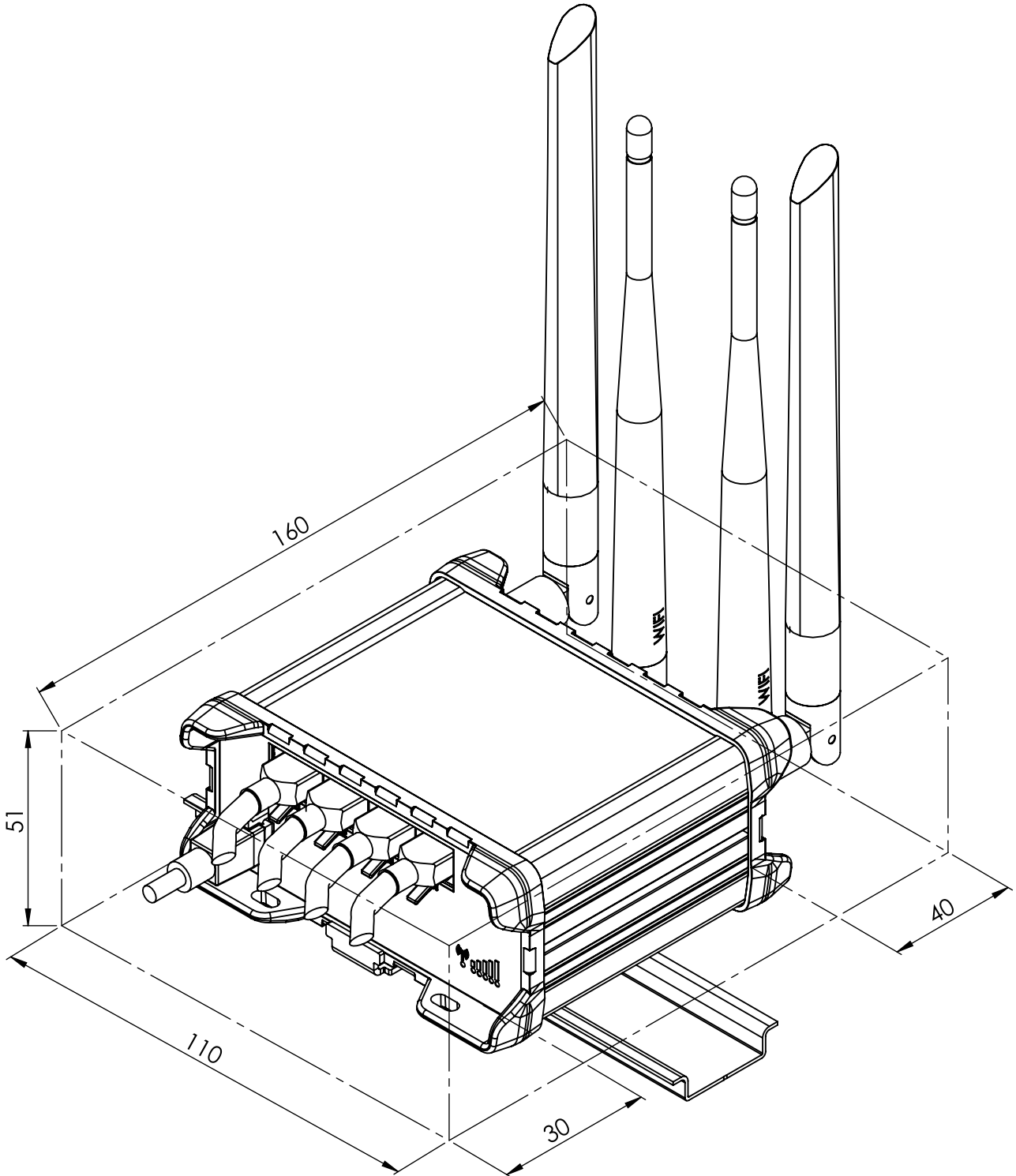
REAR VIEW

The figure below depicts the measurements of RUT901 and its components as seen from the back panel side:



MOUNTING SPACE REQUIREMENTS

The figure below depicts an approximation of the device's dimensions when cables and antennas are attached:



DIN RAIL

The scheme below depicts protrusion measurements of an attached DIN Rail:

