

stigwize

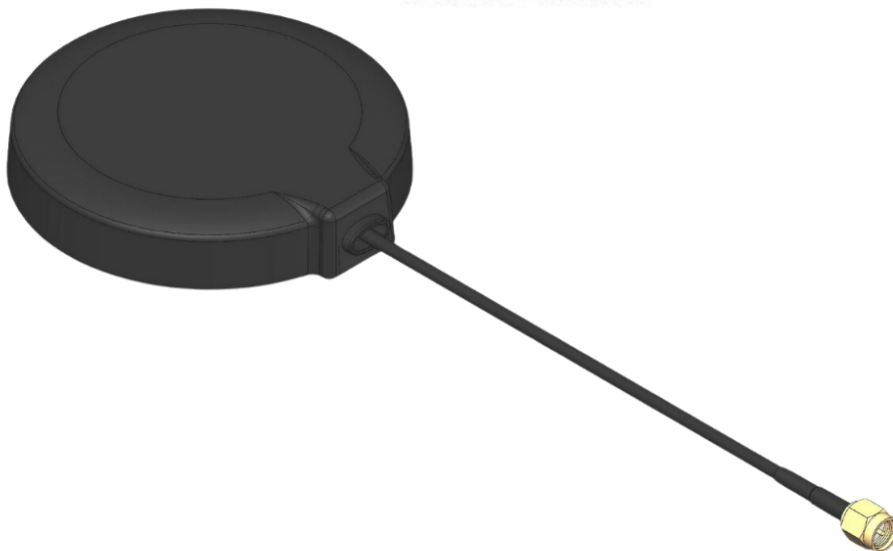
Stigwize 4G Puck Antenna Magnetic 1x 4G

Product Stigwize 4G Puck Antenna Magnetic

SKU STI-MAG-PUCK-4G

Capestone articlenumber STI20015


RoHS
COMPLIANT



Stigwize 4G Puck Antenna (1x4G) - Magnetic

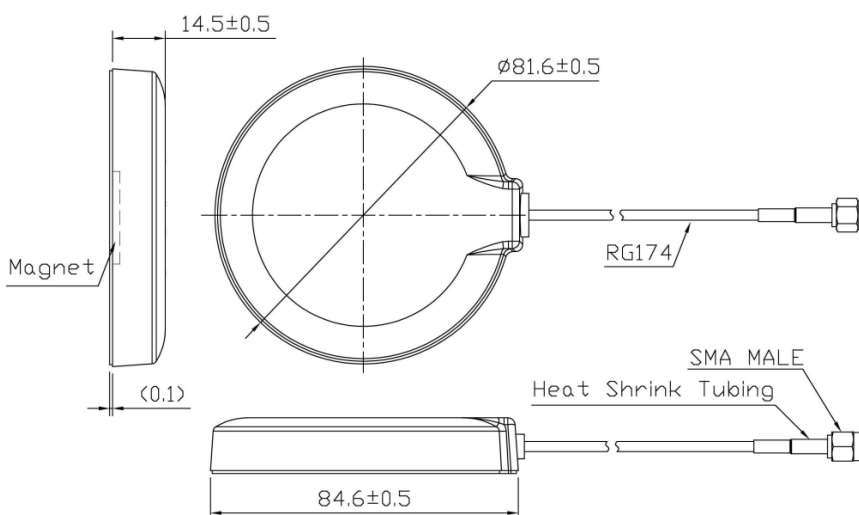
Upgrade the performance of your 4G network with the Stigwize 4G Puck Antenna (1x4G) – Magnetic. The Stigwize 4G Puck antenna is a simple, compact connectivity solution designed to enhance your 4G network capabilities. This antenna offers seamless connectivity with 1x 5-meter cable and SMA connector, making it an ideal choice for a wide range of applications.

Features

- Type: Magnetic PUCK antenna
- 3G/4G: Frequency & Gain: 698~960/1710~2690MHz
- Cables and Connector: 1x 5 RG174 meters (SMA)
- Voltage Standing Wave Ratio: ≤ 3.0
- Temperature: -40 to +85 °C
- Ingress Protection: IP67

Key features

- Easy Mounting: This 4G antenna is magnetic.
- 4G connectivity: The Stigwize 4G Puck antenna is optimized for 4G networks and provides fast data transfer and reliable communication.
- Compact design: With its compact and unobtrusive design, this antenna is easy to install in various environments, both indoors and outdoors.
- 5-meter cable: The included 5-meter cable provides flexibility in antenna placement, allowing for optimal signal reception.
- SMA Connector: The SMA connector provides a secure and reliable connection to your 4G modem or router.
- Broad Application: Whether used in industrial IoT applications, remote monitoring or vehicle tracking, the Stigwize 4G Puck antenna delivers consistent performance.



UNIT: mm



About Stigwize

Stigwize is an antenna brand for 4G, 5G, WiFi and GPS antennas for the business market. Stigwize antennas can be used in all kinds of vertical sectors including IoT, Enterprise, Retail, Construction, Mobility, Security and Maritime.

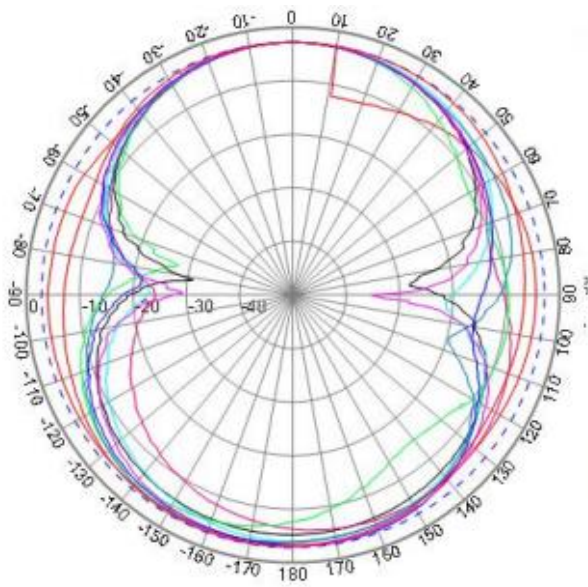
As the European distributor of Stigwize, Capestone supplies the complete antenna portfolio. This portfolio includes 4G and 5G antennas for indoors and outdoors, vandal-resistant puck antennas and screw antennas for mounting on 5G routers.

When stigmatizing profits, in addition to favorable pricing, there are also various other benefits including a 24-month warranty and a direct SWAP policy. Capestone's engineers can also put together custom antennas for projects, so that you always have the most suitable solution, as you have come to expect from Capestone.

Specification STI-MAG-PUCK-4G	
Model No.	STI-MAG-PUCK-4G
Antenna Frequency Range	698~960/1710~2690MHz
Polarization	Linear
Gain	2.0dBi (Zenith)
Impedance	50Ω
Mechanical	
Cable	RG174 or others
Connector	SMA or others
Radome Material	ABS
Mounting Method	Adhesive/Magnet
Environmental	
Operating Temperature	-40°C~+85°C
Relative Humidity	Up to 95%
Ingress Protection	IP67
Vibration	10 to 55Hz with 1.5mm amplitude 2hours
Environmentally Friendly	ROHS Compliant

Radiation pattern

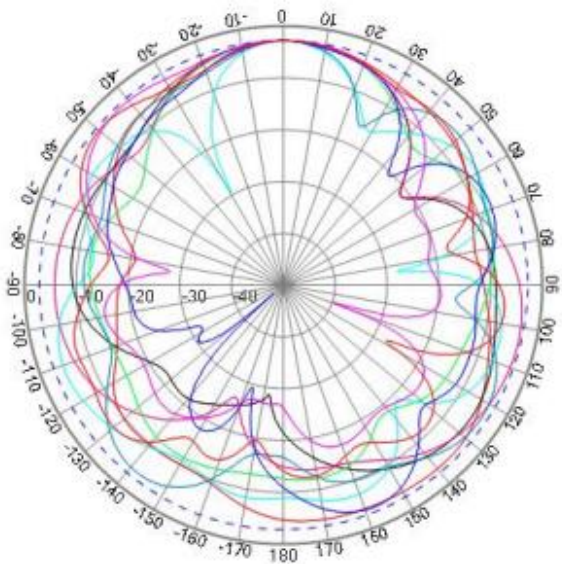
XY Plane



- Freq: 700
- Freq: 824
- Freq: 868
- Freq: 960
- Freq: 1710
- Freq: 1850
- Freq: 1990
- Freq: 2170
- Freq: 2690

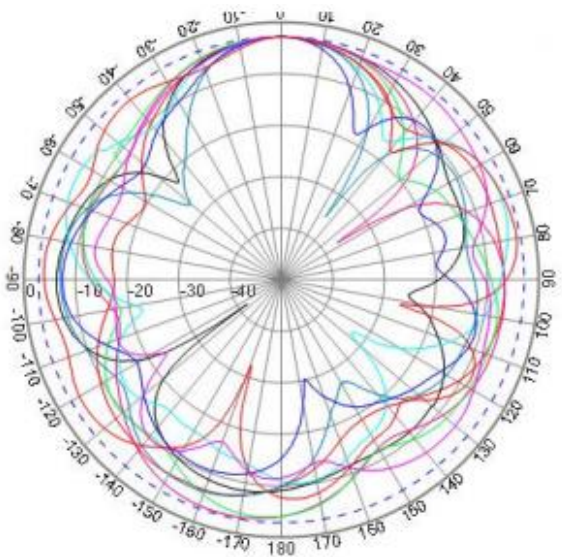


XZ Plane



- Freq: 700
- Freq: 824
- Freq: 868
- Freq: 960
- Freq: 1710
- Freq: 1850
- Freq: 1990
- Freq: 2170
- Freq: 2690

YZ Plane



- Freq: 700
- Freq: 824
- Freq: 868
- Freq: 960
- Freq: 1710
- Freq: 1850
- Freq: 1990
- Freq: 2170
- Freq: 2690