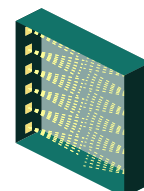


NEBRASKA-1W



12-30 cm

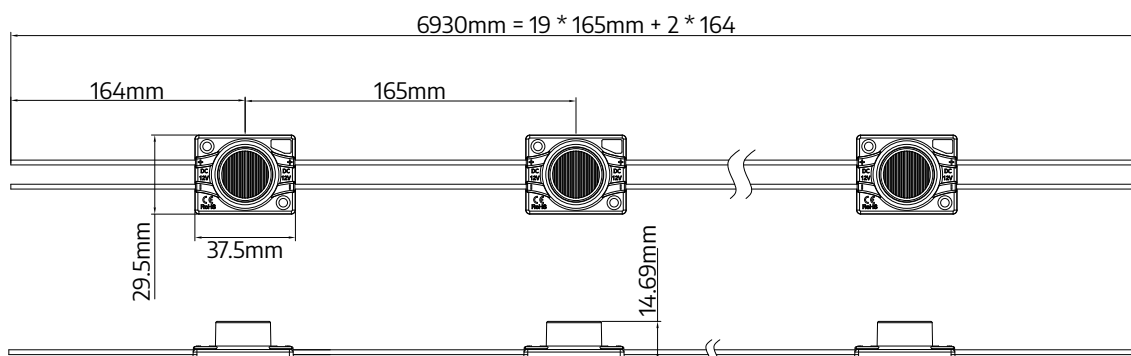
double-sided
lightboxes



- luminous efficacy 63 lm/W
- for indoor and outdoor use

- 20 pcs in chain

DIMENSIONS



NEBRASKA-1W



TECHNICAL SPECIFICATION

| Parameter | Value |
|--------------------------------|--------------------------------|
| Rated voltage | 12 V DC |
| Power consumption per module | 2,4 W |
| Chain power consumption | 48 W |
| Current consumption per module | 200 mA |
| LED diodes | San'an led - 3030 |
| Quantity of LEDs | 1 |
| Light color | W - white (7000K) |
| Flux | 150 lm |
| Flux density | 63 lm/W |
| Color rendering index CRI | ≥80 (on request ≥90, ≥95) |
| Beam characteristic | 18 x 40° |
| Current stabilization | No |
| Dimming | Yes |
| Module dimensions (L × W × H) | 38 × 30 × 14 mm |
| Cable length | 128 mm |
| Number of modules in 1 m | 6 |
| Box weight | 18 kg |
| Montage | Adhesive tape / mounting screw |
| Lifetime | L70B50 > 50000h |
| Working temperature | -25°C ... +50°C |
| IP protection | IP66 |
| Warranty | 4 years |

NEBRASKA-1W



CONNECTION DIAGRAM

One-side power input



Maximum number of modules 20 pcs

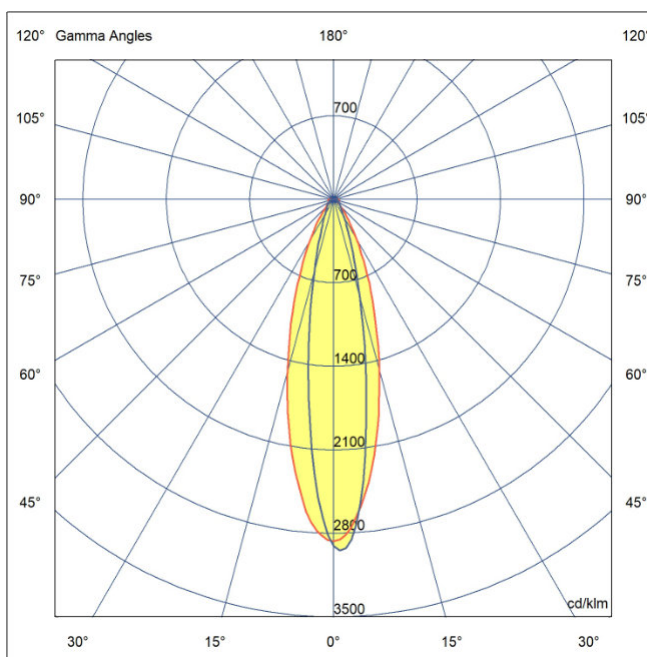
Two-side power input



Maximum number of modules 40 pcs

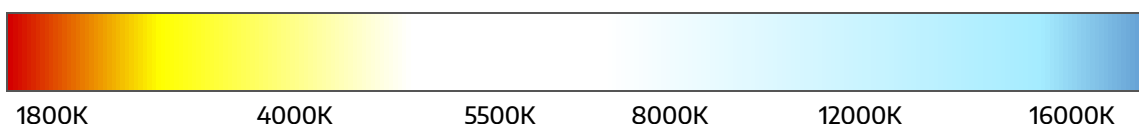
It is acceptable to connect multiple chains in parallel, as long as the power supply provides sufficient power.

BEAM ANGLE



LIGHT COLOR / CCT

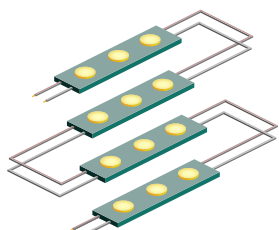
| Abbreviation | Light color | CCT |
|--------------|---------------|---------|
| WW | warm white | ~3000K |
| NW | neutral white | ~4000K |
| W | white | ~7000K |
| CW | cold white | ~10000K |



NEBRASKA-1W



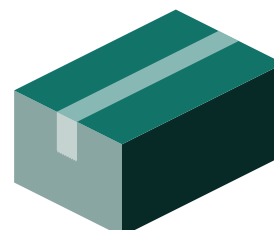
PACKING



Chain
20 pcs



Bag
100 pcs



Box
1200 pcs