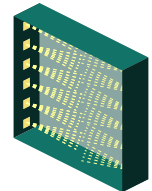


# ALASKA-1W



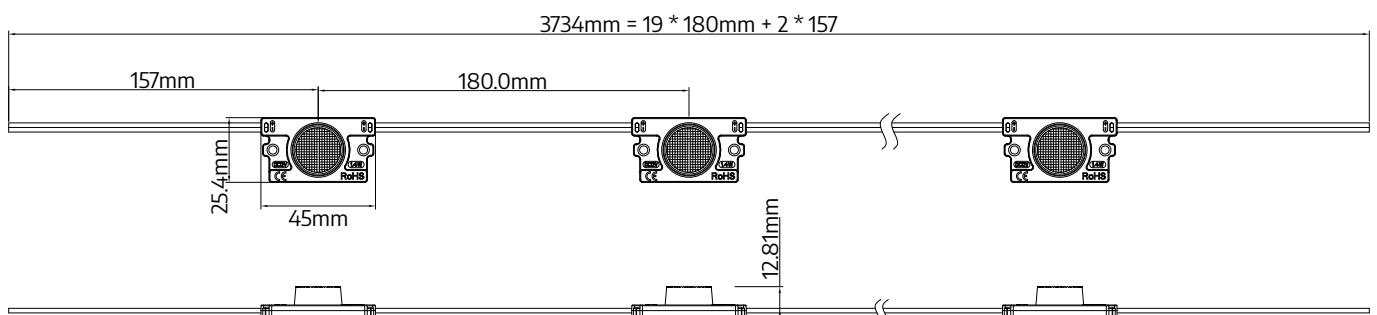
**12-18 cm**

double-sided  
lightboxes



- luminous efficacy 93 lm/W
- for indoor and outdoor use
- 20 pcs in chain

## DIMENSIONS



# ALASKA-1W



## TECHNICAL SPECIFICATION

Parameter	Value
Rated voltage	12 V DC
Power consumption per module	1,4 W
Chain power consumption	28 W
Current consumption per module	116 mA
LED diodes	San'an led - 2835
Quantity of LEDs	1
Light color	X = W - white (6500K)
Flux	130 lm
Flux density	93 lm/W
Color rendering index CRI	≥70 (on request ≥80, ≥90, ≥95)
Beam characteristic	18 x 50°
Current stabilization	No
Dimming	Yes
Module dimensions (L × W × H)	45 × 26 × 13 mm
Cable length	135 mm
Number of modules in 1 m	5,6
Box weight	12 kg
Montage	Adhesive tape / mounting screw
Lifetime	L70B50 > 50000h
Working temperature	-25°C ... +50°C
IP protection	IP66
Warranty	4 years

# ALASKA-1W



## CONNECTION DIAGRAM

One-side power input



Maximum number of modules 20 pcs

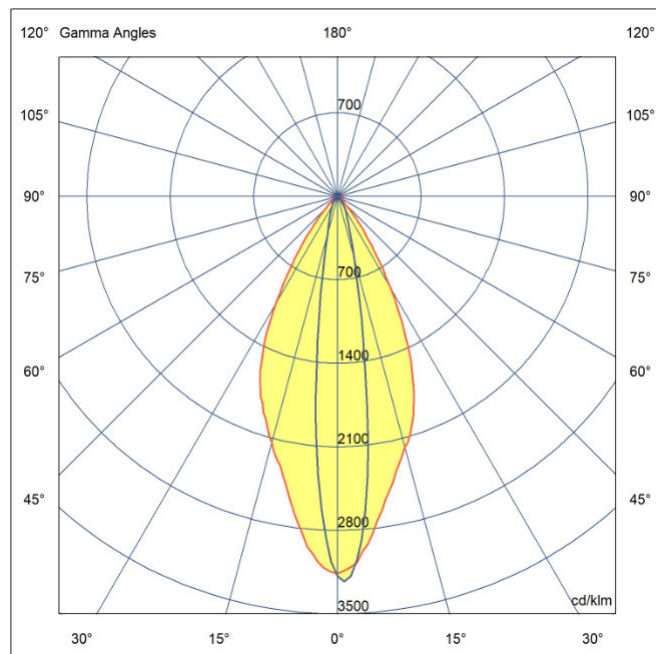
Two-side power input



Maximum number of modules 40 pcs

It is acceptable to connect multiple chains in parallel, as long as the power supply provides sufficient power.

## BEAM ANGLE



## LIGHT COLOR / CCT

Abbreviation	Light color	CCT
WW	warm white	~3000K
NW	neutral white	~4000K
W	white	~6500K
CW	cold white	~10000K

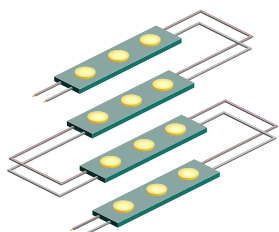


# ALASKA-1W

---



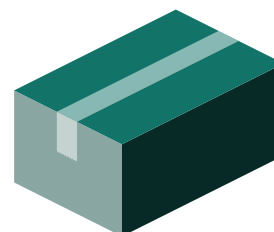
## PACKING



Chain  
**20 pcs**



Bag  
**100 pcs**



Box  
**1200 pcs**