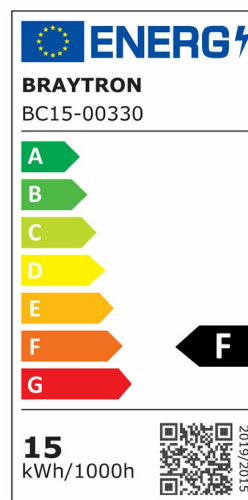
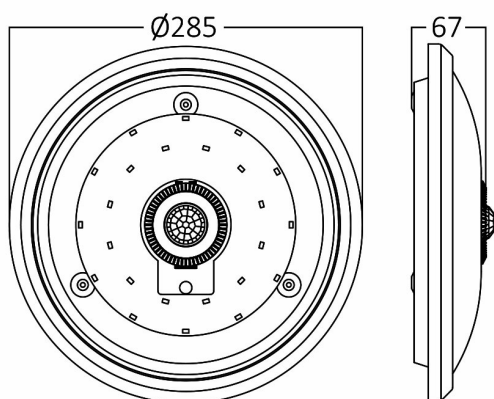


Braytron

PRODUCT DATASHEET

MODEL NO BC15-00330

DESCRIPTION BRY-SENSA-15W-SNS-6500K-LED CEILING LIGHT



BRAYTRON SRL

Bulaverdul iuliu maniu, Nr.616, Sector 6, 061129, Bucuresti-ROMANIA

info@braytron.com

www.braytron.com

General Characteristics

Model No	:	BC15-00330
Main Family	:	Indoor Lighting
Sub Family	:	Fixtures
Type	:	Ceiling Light
Body Color	:	White
Lamp Shape	:	Non-Directional
Dimmable	:	Not-Dimmable
Light Source	:	LED
Warranty	:	2 years
Class	:	Class II
IP	:	IP20

Electrical Characteristics

Lifetime (at 2.7 h/day)	:	20000 h
Voltage	:	220-240V
Power Factor	:	>0,5
Material	:	Metal
Working Temperature	:	-20 C-40 C
Frequency	:	50-60 Hz

Package Informations

N.W.	:	5 kgs
G.W.	:	7,1 kgs
PCS/CTN	:	10 pcs
Length	:	380 mm
Width	:	315 mm
Height	:	615 mm
EAN	:	5949097703522

Lamp Characteristics

Wattage	:	15 w
Color Temperature	:	6500K
Quse Lumen	:	1460 lm
Color Rendering Index (CRI)	:	>80
Energy Efficiency Level	:	F
Beam Angle	:	120° Degrees
Color Category	:	Cool White

Lamp Dimensions & Weight

Diameter	:	285 mm
P. Height	:	67 mm
Weight	:	500 gr

Sensor Informations

Sensor Type	:	Motion
Detection Distance	:	Max. 6m
Installation Height	:	1,5m-3,5m
Time Delay	:	8sec-2min