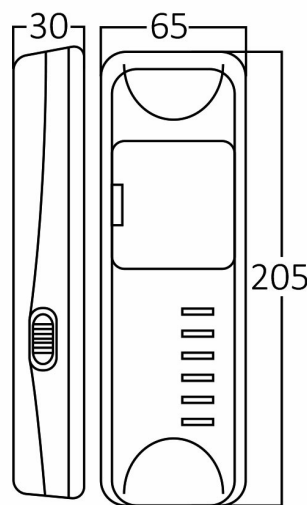


# Braytron

## PRODUCT DATASHEET

MODEL NO BC01-00130

DESCRIPTION BRY-BM30-30LED-6500K-WHT-RECHARGEABLE LIGHT



BRAYTRON SRL

Bulaverdul iuliu maniu, Nr.616, Sector 6, 061129, Bucuresti-ROMANIA

info@braytron.com

www.braytron.com

Page 1-2

### General Characteristics

Model No	:	BC01-00130
Main Family	:	Rechargeables
Sub Family	:	LED Rechargeable
Type	:	Lantern
Body Color	:	White
Dimmable	:	Not-Dimmable
Light Source	:	LED
Warranty	:	1 year
Class	:	Class II
IP	:	IP20

### Electrical Characteristics

Lifetime (at 2.7 h/day)	:	20000 h(for LED)
Voltage	:	220-240V
Power Factor	:	>0,5
Material	:	ABS
Working Temperature	:	-20 C-40 C
Working Time	:	3-8 h
Frequency	:	50-60 Hz

### Lamp Dimensions & Weight

P. Length	:	205 mm
P. Width	:	65 mm
P. Height	:	30 mm
Weight	:	190 gr

### Lamp Characteristics

Wattage	:	2 w
Color Temperature	:	6500K
Quse Lumen	:	150 lm
Color Rendering Index (CRI)	:	>70
Beam Angle	:	120° Degrees
Color Category	:	Cool White

### Battery Informations

Battery	:	3,7V 1200 mAh Lithium Battery
Charging Type	:	AC
Charging Time	:	24 h
Number Of Charging Cycles	:	500

### Package Informations

N.W.	:	3,8 kgs
G.W.	:	4,72 kgs
PCS/CTN	:	20 pcs
Length	:	385 mm
Width	:	240 mm
Height	:	170 mm
EAN	:	5949097705779