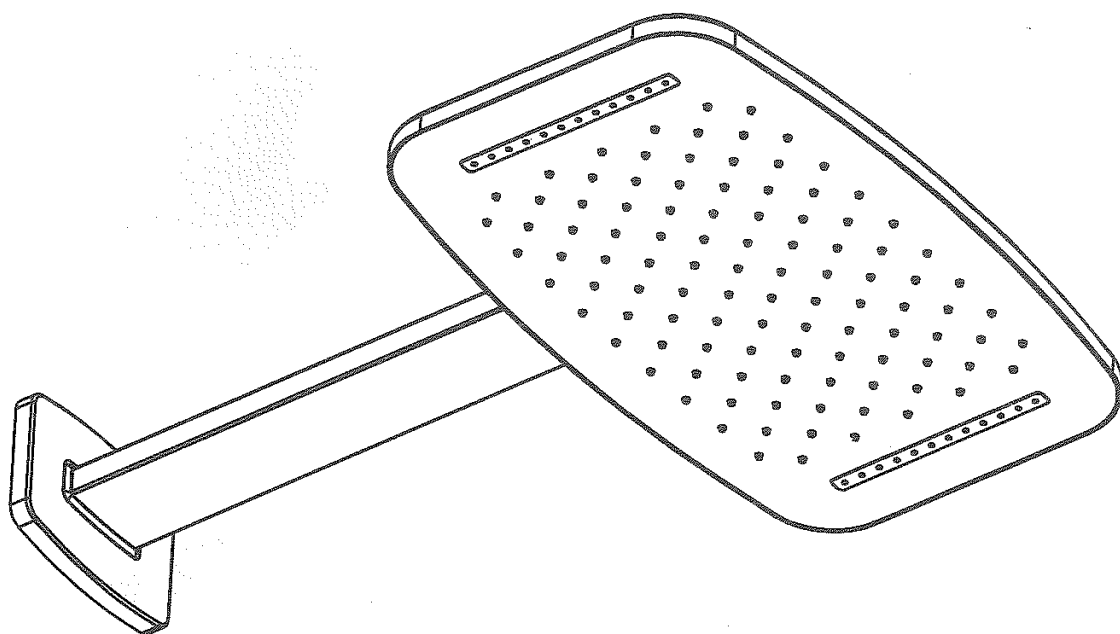


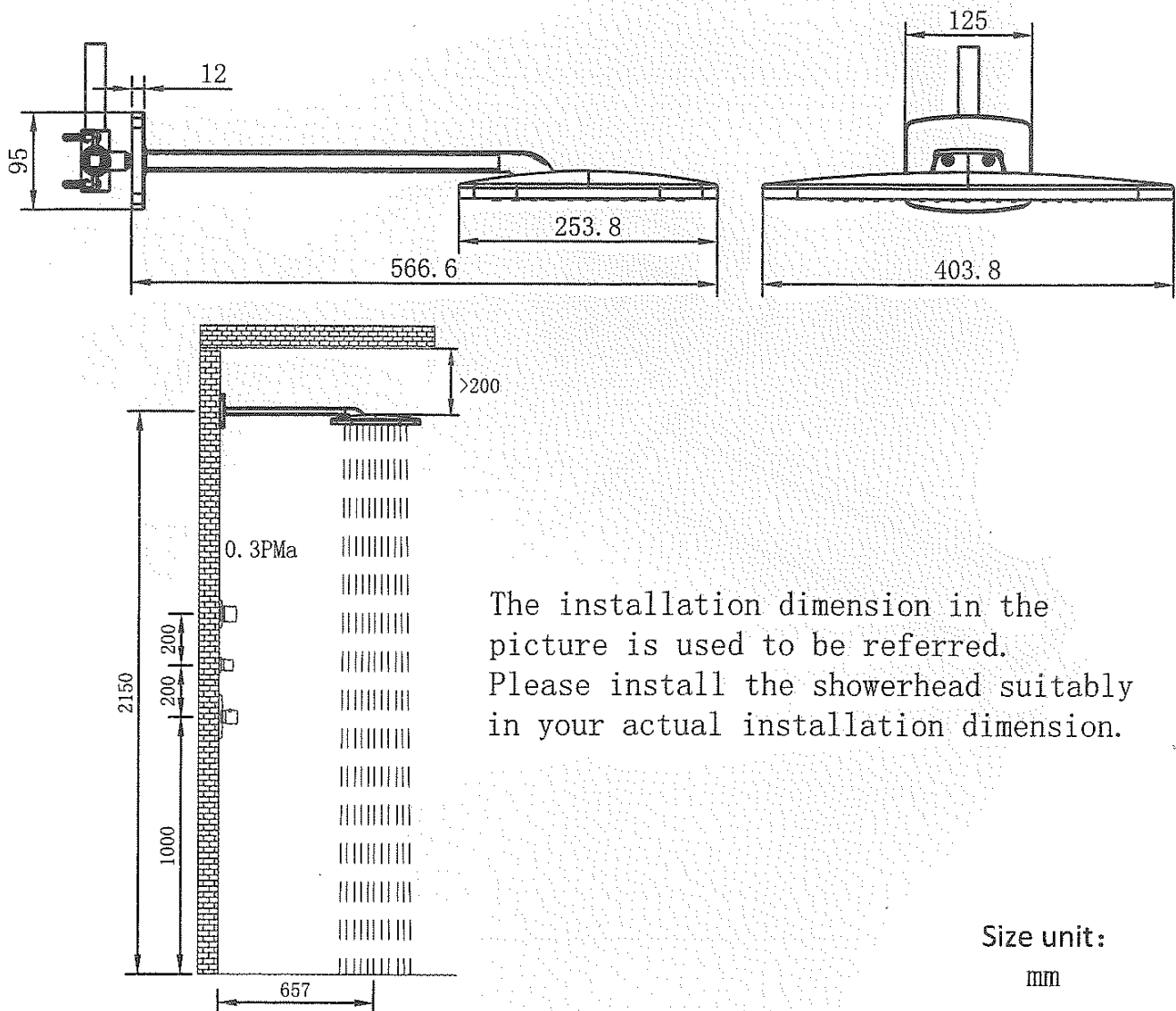
16" BRASS SHOWERHEAD WITH DOUBLE WATERFALL INSTALLATION MANUAL



INSTALLATION NOTICE

1. Please check the components per following <standard part list> when you open the carton. If any damage or missing, please contact the manufacturer or local agent.
2. Make sure the size of shower is matching the size of embedded water pipe.
3. The product has been passed the functionality test before ex-factory, please don't disassemble by yourself at will.
4. Please clean the water pipe before installation in case any jam.
5. Please make sure the joint and pipe no leakage after installation.
6. The shower contains silicon inside, please don't install in any location where the temperature may exceed 90 °C.
7. The working pressure: 0.05MPa~0.6MPa, the suggested working pressure: 0.2MPa~0.5MPa.
8. Please be careful of your security while drilling and installing.

DIMENSION DRAWING



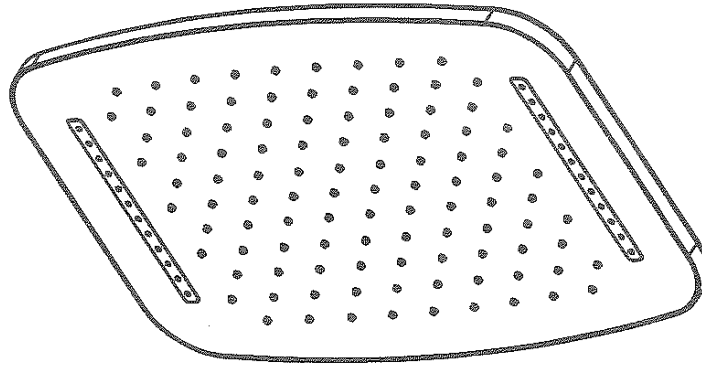
The installation dimension in the picture is used to be referred. Please install the showerhead suitably in your actual installation dimension.

Size unit:
mm

⚠ We have police to improve the product's design and performance. We reserve the right of product size change and without notification.



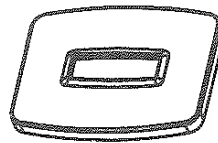
DIMENSION DRAWING



①



②



③ ④

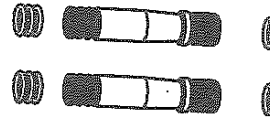


⑤



⑥

NO.	NAME	QTY
01	Showerhead	1
02	Showerarm	1
03	Silicone pad	1
04	Flange	1
05	Body inside wall	1
06	Connection of body inside wall	1
07	Waterlogged connection	2
08	O-ring	8
09	Nut	2
10	Phillips screw	2
11	Small hexagon wrench	1
12	Big hexagon wrench	1
13	Expansion screw	4
14	Self tapping screw	4



⑦ ⑧



⑨



⑩



⑪



⑫



⑬



⑭

HELPFUL TOOLS



SAFETY GLASSES



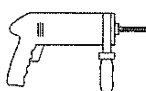
ADJUSTABLE WRENCH



PENCIL



HEX WRENCH



DRILL



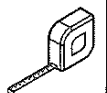
SCREWDRIVER



RULER

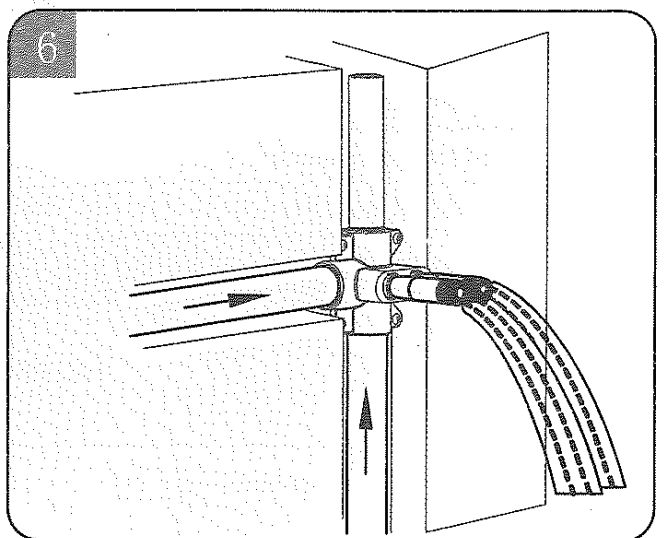
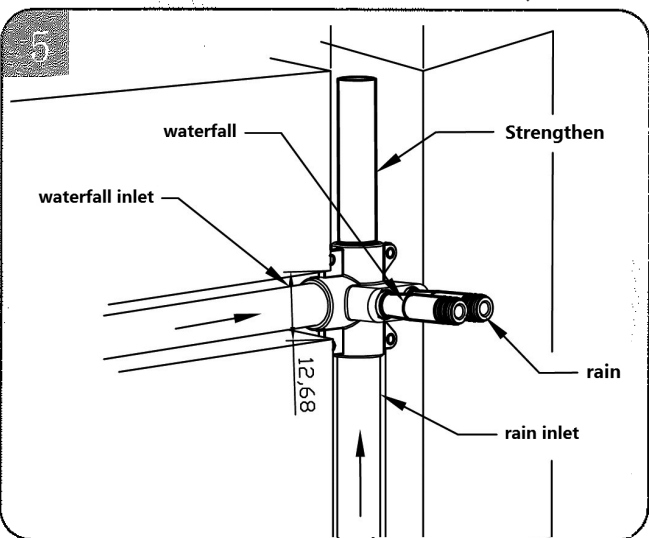
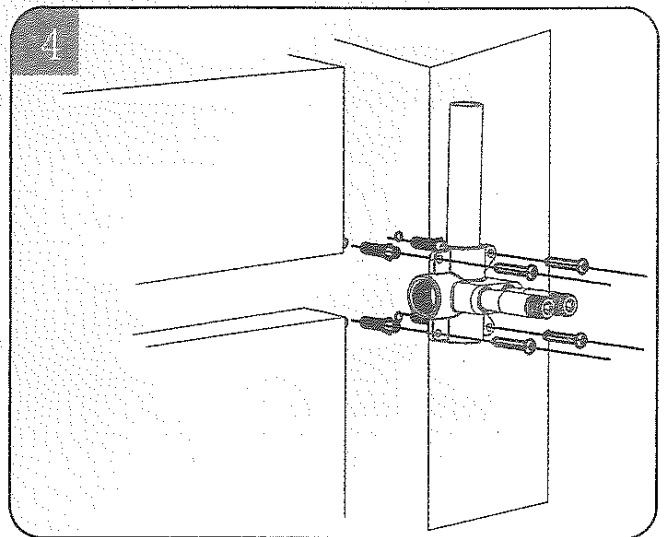
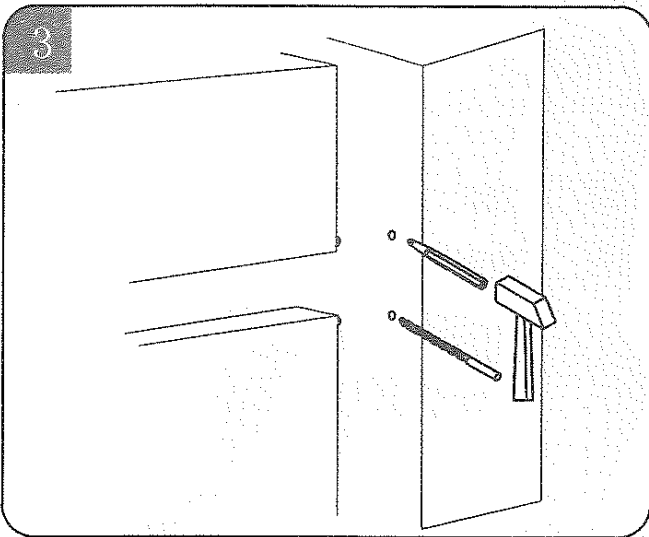
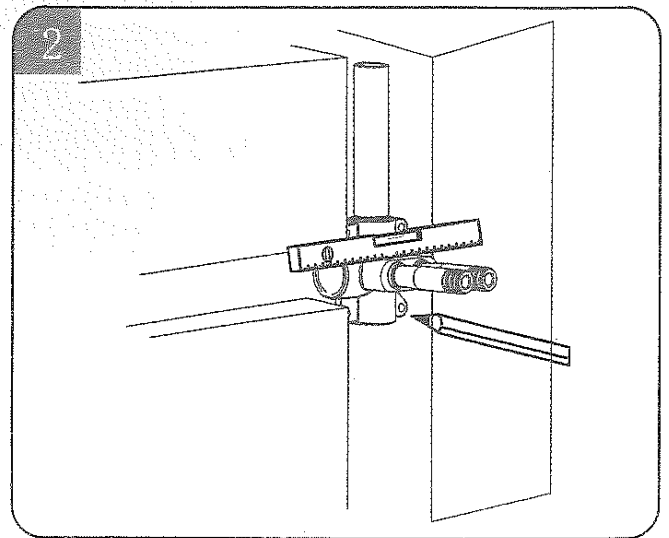
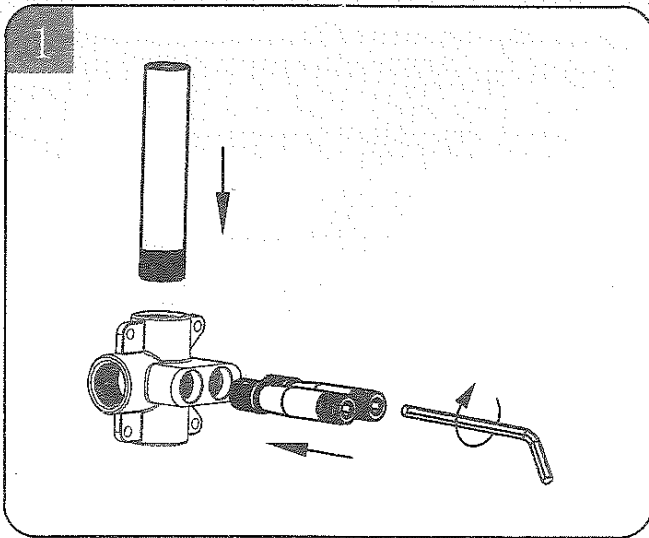


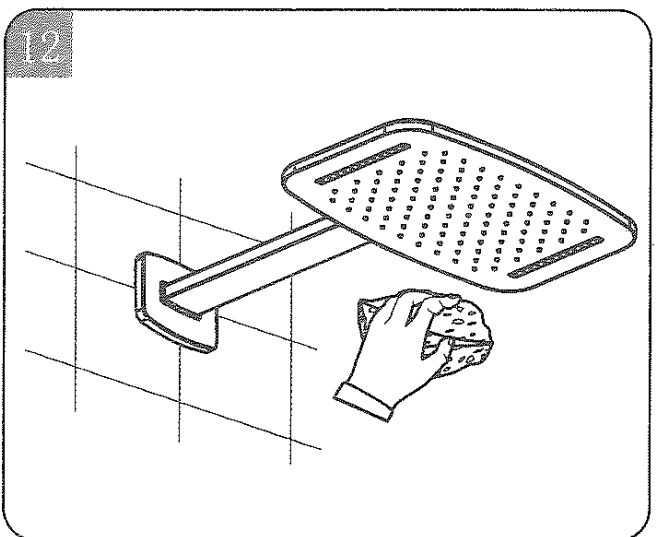
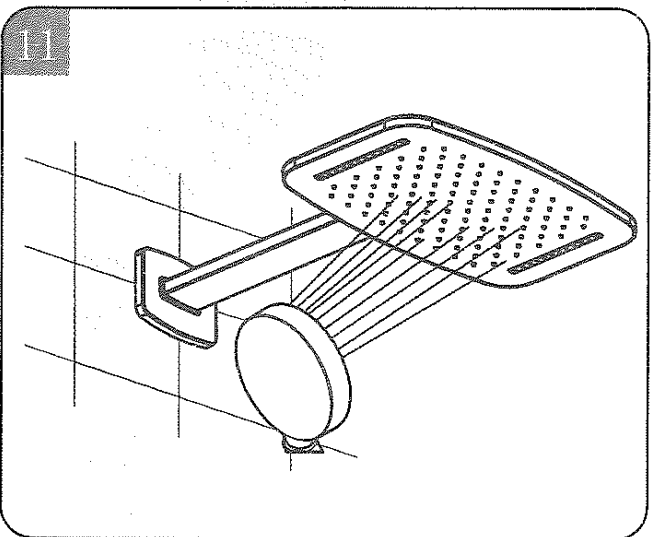
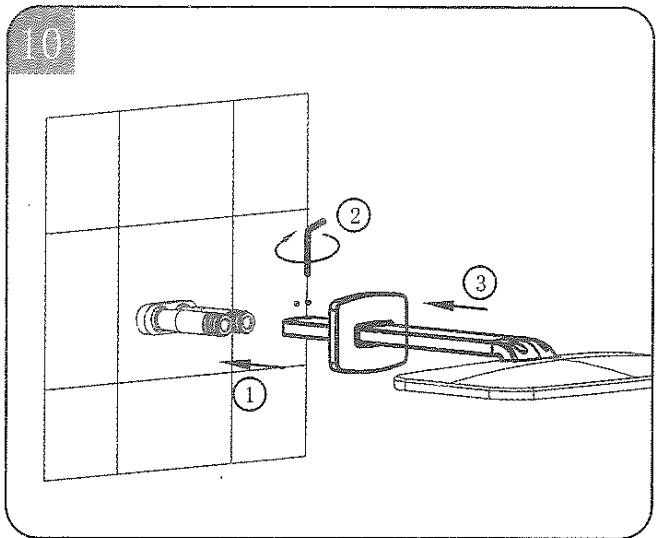
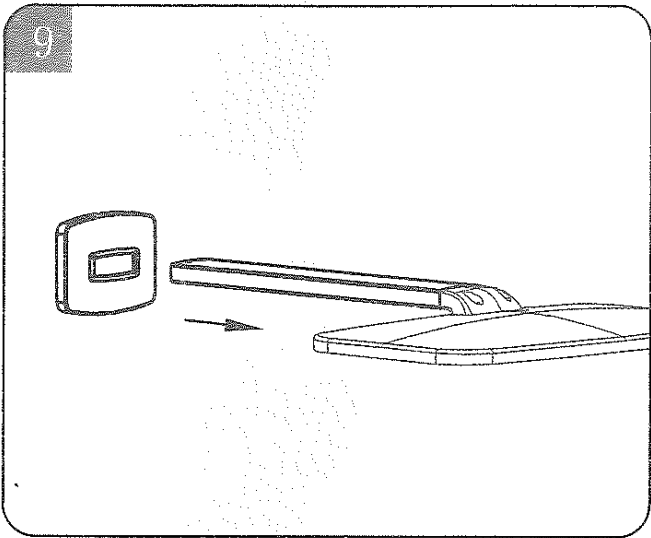
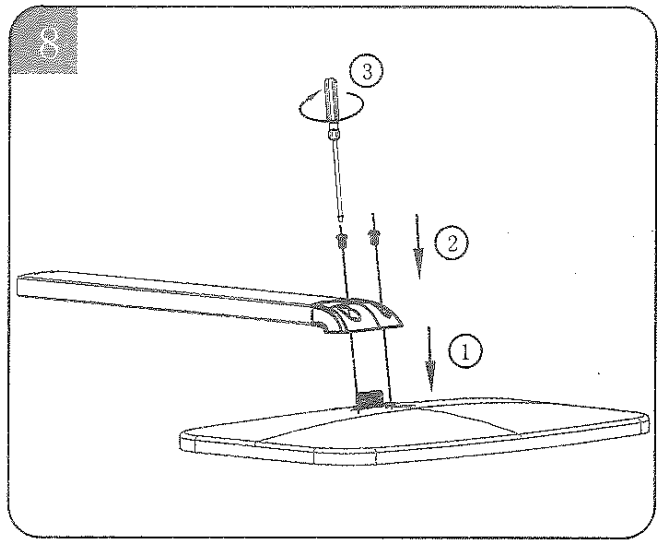
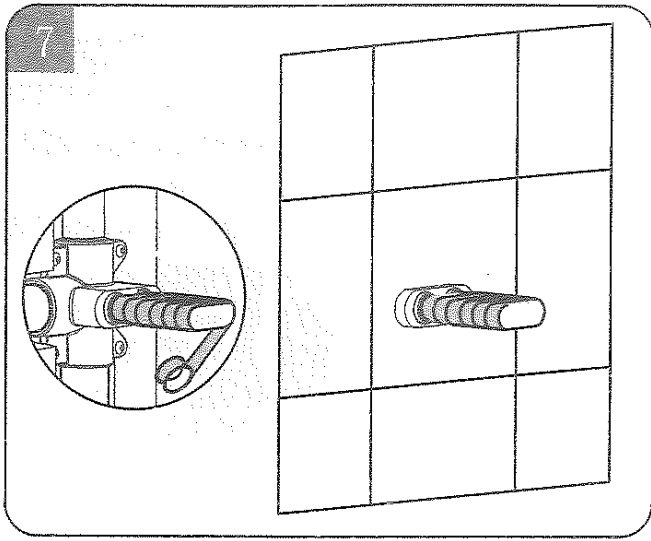
HAMMER



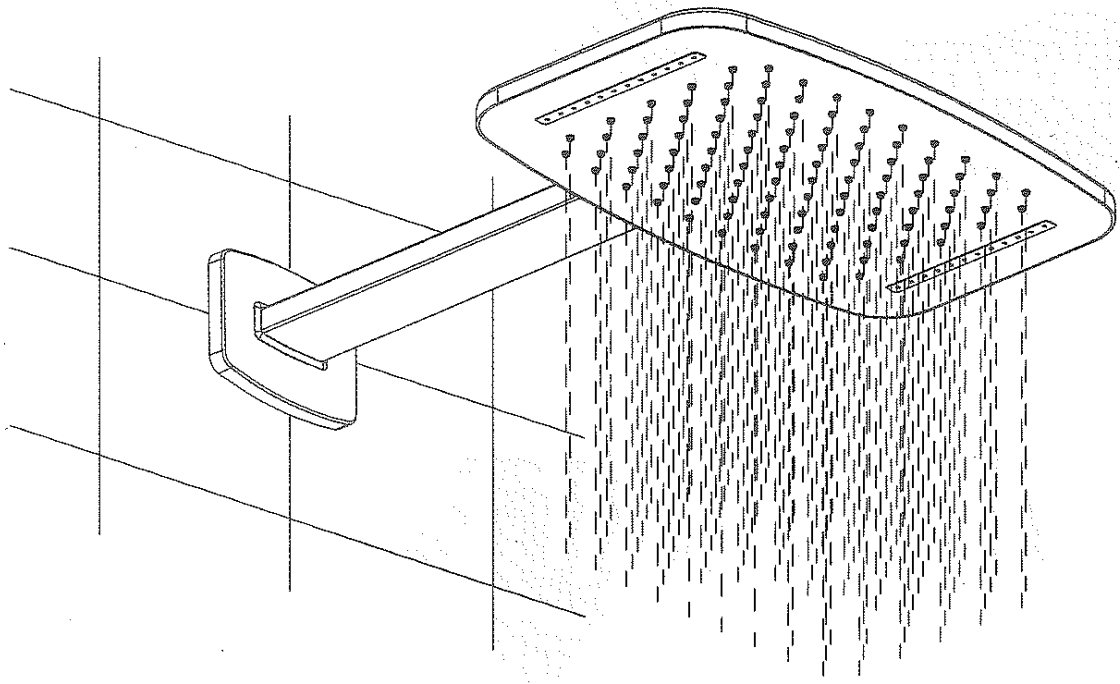
BAND TAPE

INSTALLATION STEPS

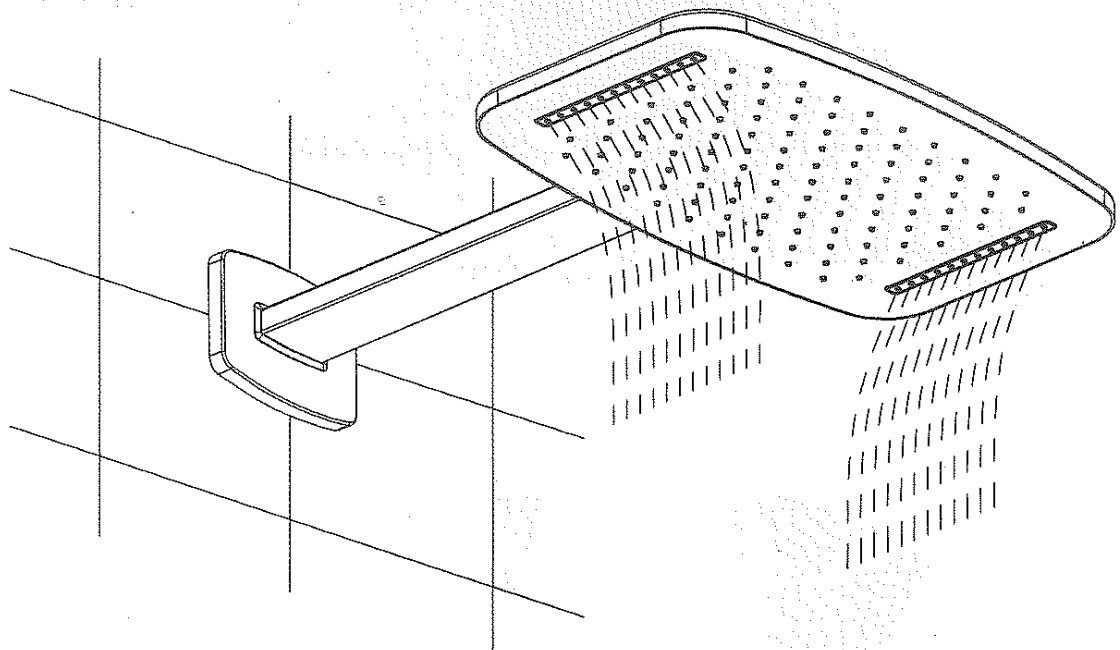




PRODUCT FUNCTION



Rain



Waterfall

MAINTENANCE

Please do regular cleaning to keep surface shining.

- Rinsed up with clean water, and wiped dry with soft cotton.
- Do not use detergent powder, polishing powder, with coarse particles of detergent, nylon brush, etc., so as not to wear products.
- Acid or abrasive detergents are prohibited.
If you wash the ceramic tiles with acidic detergent, immediately to the ceramic tiles and utensils for washing.

If do a lot of cleaning, please follow below instruction:

1. Rinsed up with clean water.
2. Use below detergent to do cleaning:
 - Mild liquid detergent.
 - Completely dissolved powder detergent(mixed as manual).
 - Not including polishing liquid abrasive action.
3. After cleaning, use the water to wash the liquid detergent and wiped dry with soft cotton.

Please do the cleaning regularly based on your location environment :

Use environment \ regional environment		Rural area	city	industrial	coastal area
			general environment	corrosion environment	
outdoor raining	no pollution sediment residues	1~2times/year	2~3times/year	3~4times/year	
	residues	2~3times/year	3~4times/year	4~5times/year	
inform	no pollution sediment residues	1~2times/year	3~4times/year	4~5times/year	
	residues	2~3times/year	4~5times/year	5~6times/year	