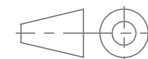
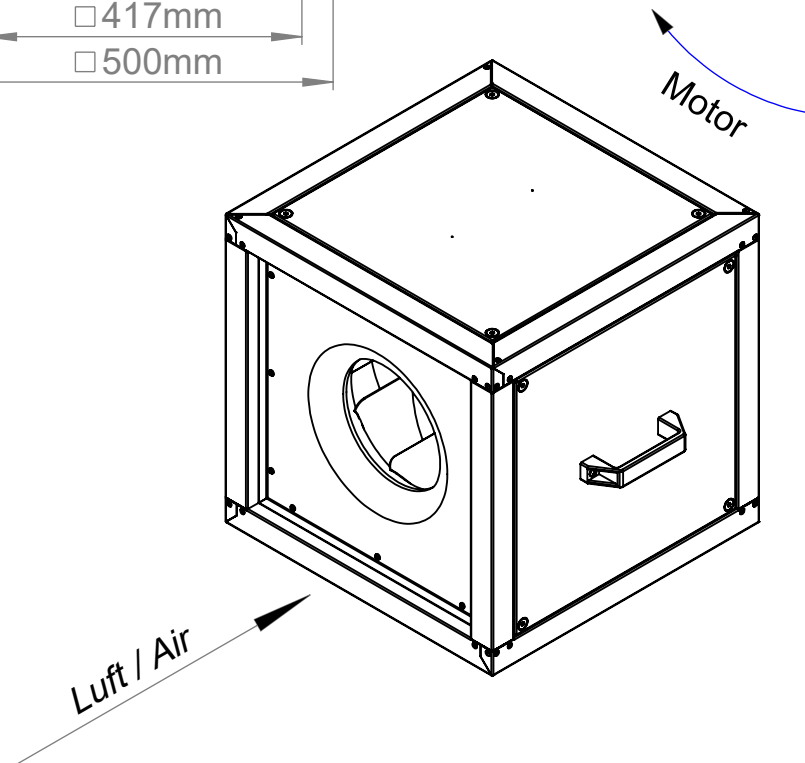


Anschlussmaß innen
min. ϕ 240mm
Connection size inside
min. ϕ 240



Protection Mark
according to ISO 16016

Created a.ganea
Drawn a.ganea
Released a.ganea
Disabled

1:10 A4 mm

General tolerances
DIN ISO 2768-c

MPC315ECT30

149264 00