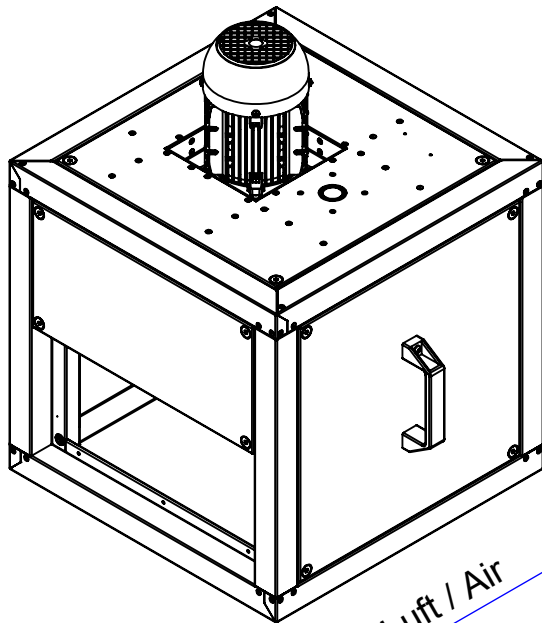


Motor



Luft / Air



1:10 A4 mm

Protection Mark  
according to ISO16016

General tolerances  
DIN ISO 2768-c

**MPC225D2TI40**

Created s.pop

18.05.2021

Drawn s.pop

18.05.2021

Released s.pop

18.05.2021

Disabled

**158226 00**

**ruck**  
ruck Ventilatoren  
Max-Planck-Str. 5  
D-97944 Boxberg