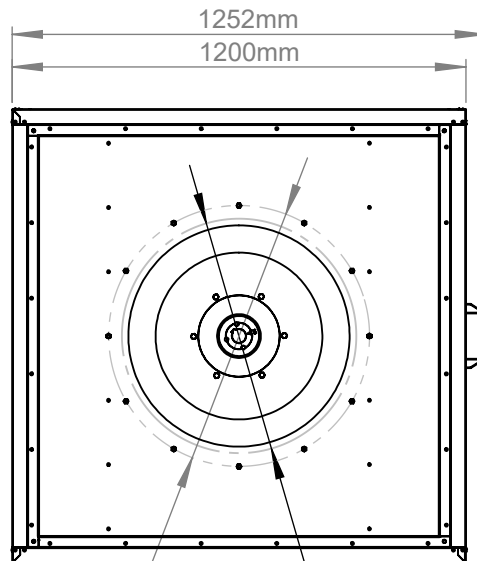
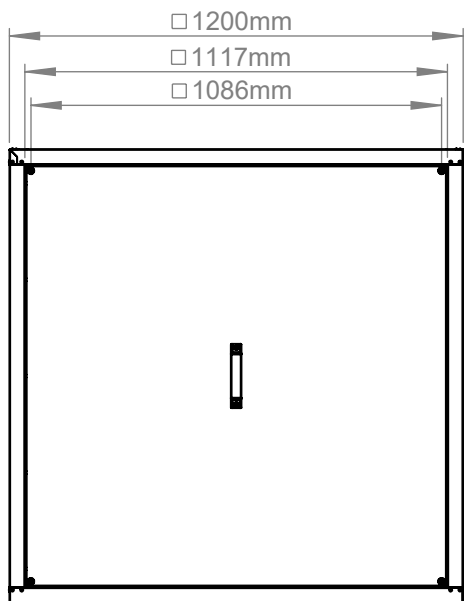
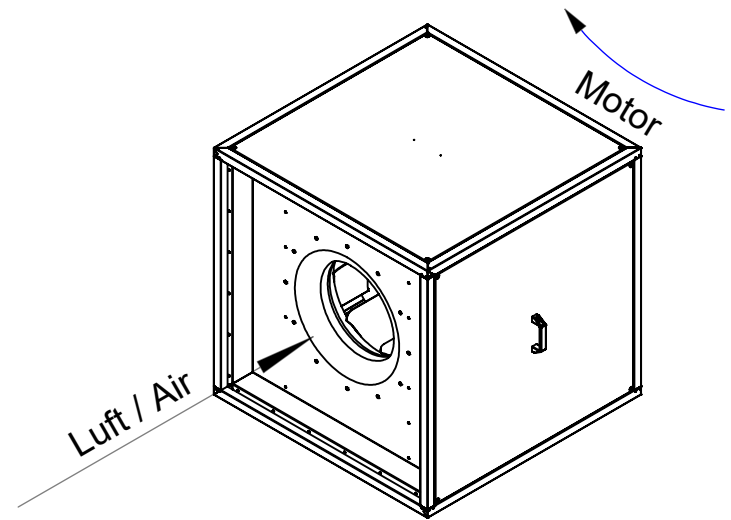
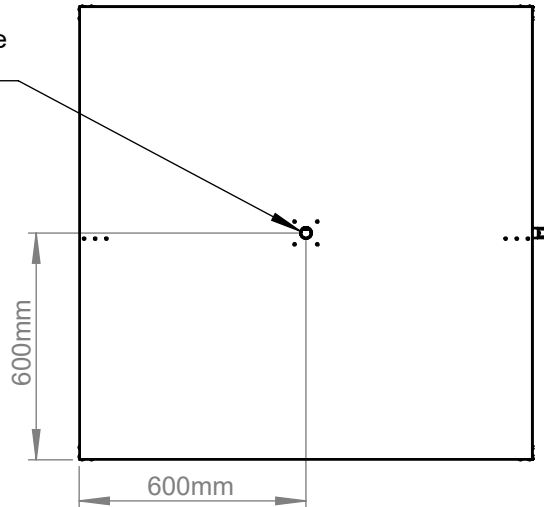
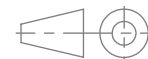
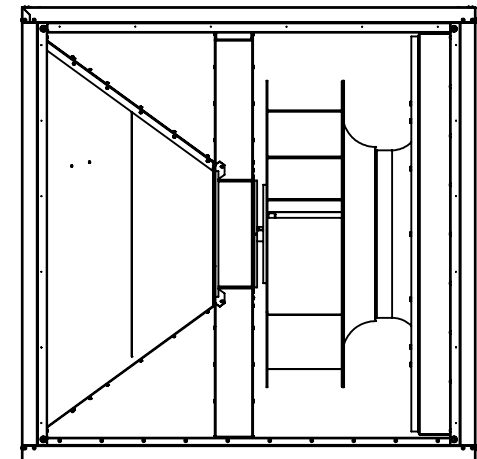


Kondensatablauf G3/4" Innengewinde
 Drain G3/4" female thread



12xM8
 LK \varnothing 690mm

Connection size inside min. \varnothing 620mm



1:20 A4 mm

Protection Mark
 according to ISO16016

General tolerances
 DIN ISO 2768-c

Created s.pop
 Drawn s.pop
 Released s.pop
 Disabled

28.03.2019
 28.03.2019
 15.04.2022

MPC710D6T40

150945 02