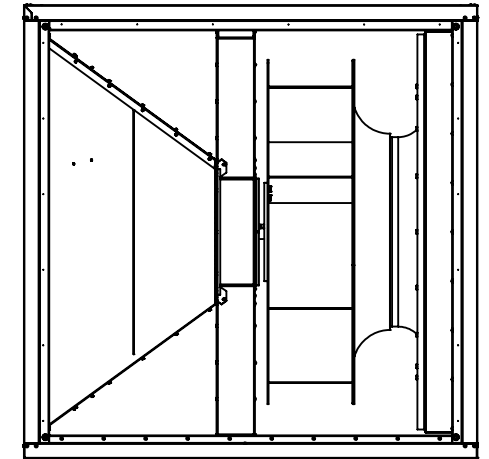
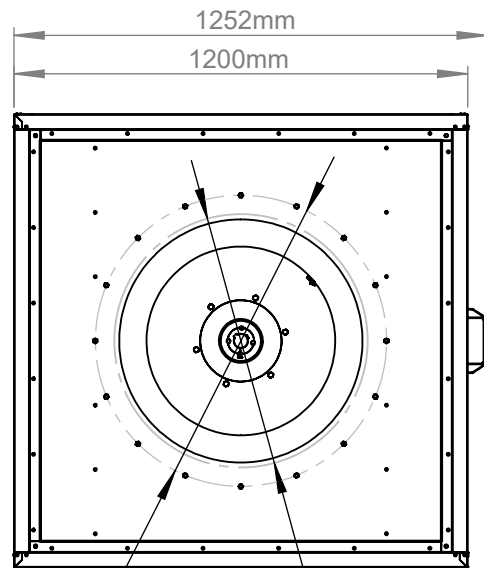
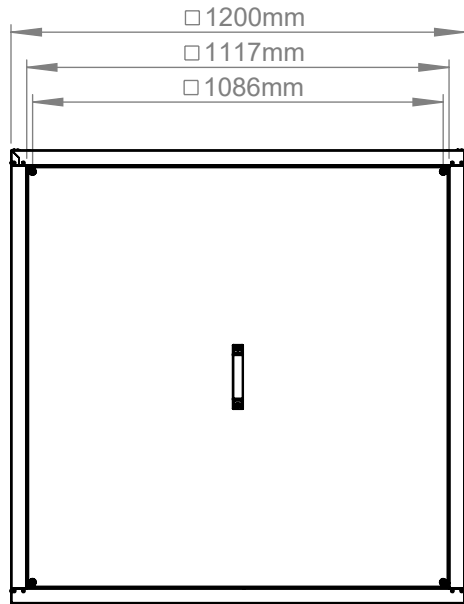
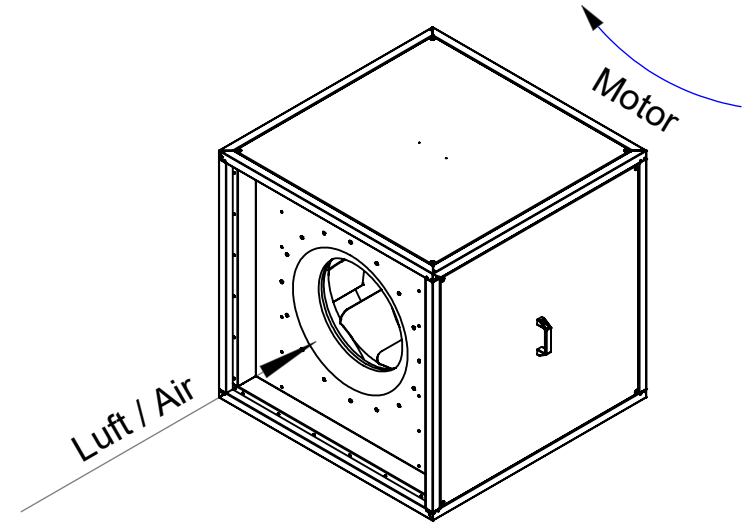
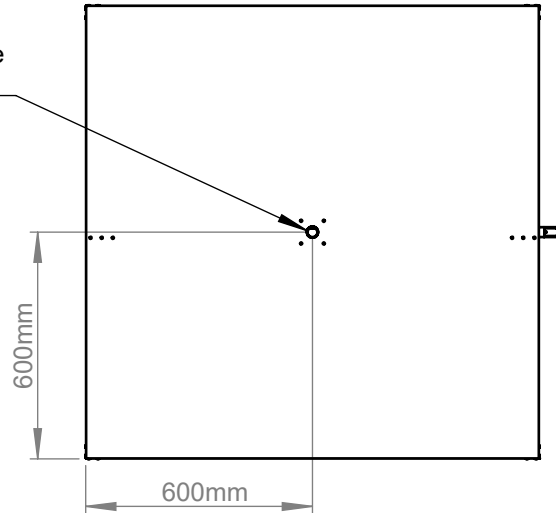
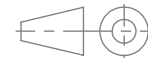


Kondensatablauf G3/4" Innengewinde  
 Drain G3/4" female thread



16xM8  
 LK  $\varnothing$  770mm

Connection size inside min.  $\varnothing$  670mm



Protection Mark  
 according to ISO16016

Created s.pop  
 Drawn s.pop  
 Released s.pop  
 Disabled

1:20 A4 mm

General tolerances  
 DIN ISO 2768-c

01.04.2019  
 01.04.2019  
 15.04.2022

**MPC800D6T40**

**150960 01**