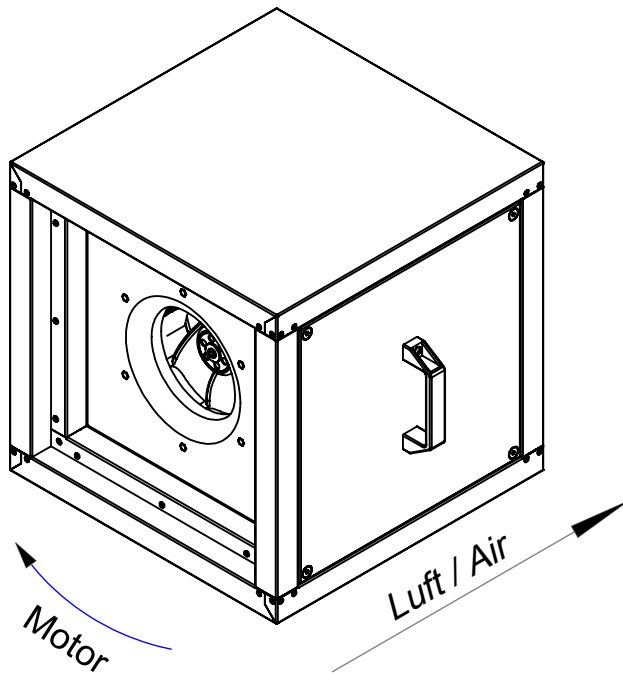


6xM6
LK ϕ 250

Anschlussmaß innen min. ϕ 220
Connection size inside min. ϕ 220



1:10 A4 mm

ruck

Protection Mark
according to ISO16016

General tolerances
DIN ISO 2768-c

MPC250EC40

ruck Ventilatoren
Max-Planck-Str. 5
D-97944 Boxberg

Created	s.pop	04.05.2021
Drawn	s.pop	04.05.2021
Released	s.pop	04.05.2021
Disabled		

157954 00