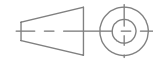
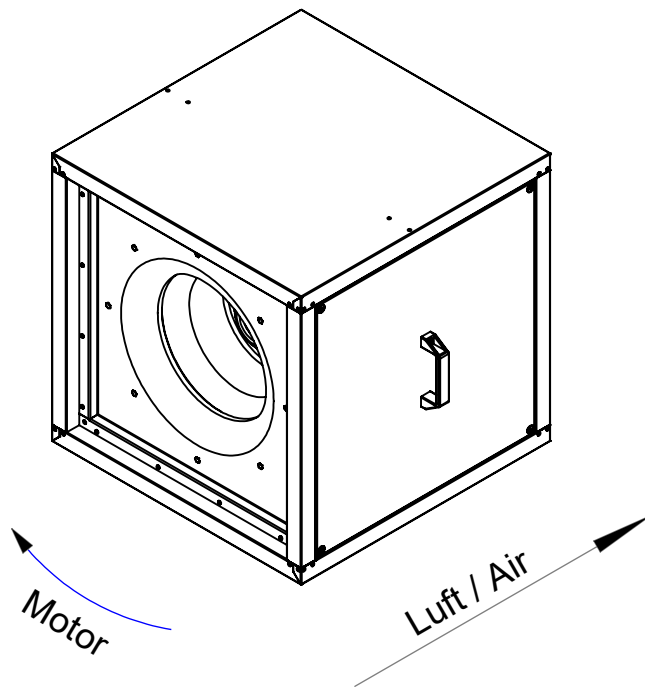
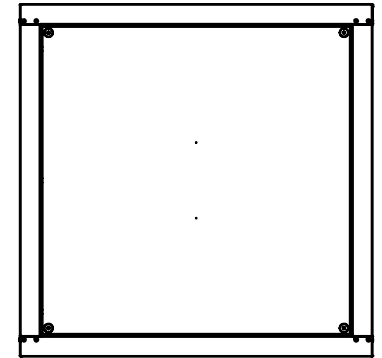


8xM8
LK ϕ 500mm

Connection size inside min. ϕ 430mm



Protection Mark
according to ISO 16016

Created s.pop
Drawn s.pop
Released s.pop
Disabled

1:15 A4 mm

General tolerances
DIN ISO 2768-c

26.04.2021
26.04.2021
29.03.2023

MPC500EC40

157916 00