

Before you decide to buy our product, please study this document carefully, evaluate the situation and assess whether you meet the necessary conditions for installation.

All deviations may later cause the following problems in operation:

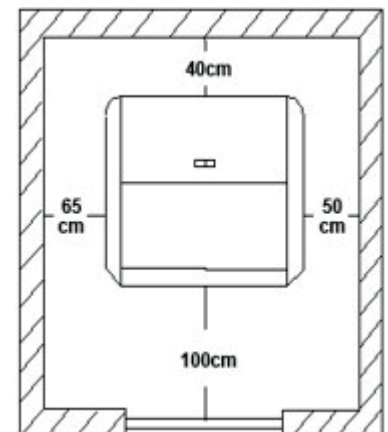
- higher costs of emergency servicing
- significant shortening of boiler life
- poor pellet combustion
- increased pellet consumption
- more responsibilities of the user when it comes to boiler maintenance

If you have additional questions or concerns related to possible corrections caused by lack of space, ventilation and drainage of flue pipes, please contact the service department in your city or our company technician, by phone: + 381 31 783 927.

By complying with these conditions, you will ensure an economical, safe and long-lasting use of our product.

1. Minimum distance of the boiler sides from the walls

- left side: 65cm
- right side: 50 cm
- back side: 40 cm
- front side: 100 cm
- room height: minimum 60 cm from the highest point of the boiler to the ceiling.



The above requirements are necessary for the service technician to perform the annual service without hindrance or to efficiently repair a possible malfunction of the boiler, and also for you to be able to easily maintain the boiler and flue pipes.

Otherwise, it can become impossible for anyone to carry out any needed intervention.

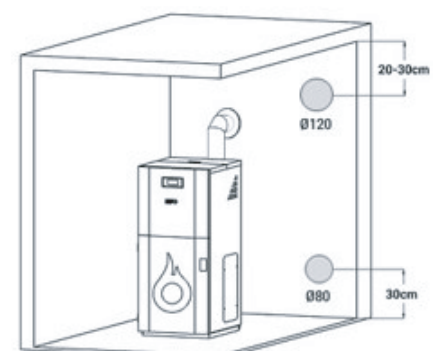
2. For proper operation, the boiler must be installed in a well-ventilated room

The opening for fresh air supply must be in the lower area of the room, 30 cm above the floor near the boiler, with a minimum size of $\varnothing 80$ mm.

We also recommend a ventilation opening for the removal of dirty air (pellet and ash dust), in the upper area of the room, 20-30 cm below the ceiling, with a minimum size of $\varnothing 120$ mm and a built-in fan.

KEPO manufactures pipes with a diameter of $\varnothing 80$ mm to $\varnothing 120$ mm, with decorative rosettes and mesh ends, which you can choose to install as an opening for the supply of fresh air, as well as for the ventilation opening.

These openings must be made in such a way that they cannot become clogged at any time.



3. Only flue pipes $\varnothing 80$, $\varnothing 100$, $\varnothing 120$ with silicone rubber bands can be used for the venting of flue gases from the boiler to the chimney.

The maximum quantities of flue pipes for connecting the boiler to the chimney are:

- T element – 1 piece
- Straight pipes of 1000 mm or 500 mm – maximum 3 m
- Elbow 90° - 1 to 2 pieces

If two 90° elbows are used, the length of the straight pipes can be a maximum of 2 m.

Horizontally placed flue pipes must not be longer than 1 m, with a mandatory drop of 3-5% to the boiler.

At the place of installation of flue pipes for pellet boilers, there must be an insulated chimney. The minimum chimney diameter is $\varnothing 130$ mm.

4. The insulated chimney to which the boiler is connected must be cleaned before commissioning

The manufacturer is not responsible for any faults caused by the non-maintenance of the chimney.

The minimum interval for chimney cleaning is once a year.

Small square chimneys interfere with the proper operation of the boiler. No other load (another boiler, stove or another heating element) can be connected to the chimney to which the boiler is connected.

The minimum height of the external insulated chimney is 3 m from the connection point of the flue pipes.

5. The mains voltage must be a stable 230 V \pm 5% max

In case of non-fulfilment of this condition or periodic voltage drops or increases, the manufacturer shall not bear any responsibility for the malfunctions caused on the boiler.

The user can connect the boiler to a UPS with a minimum power of 500 W.

To connect the KEPO PELECTRO boiler, it is necessary to provide the mains voltage of a stable 3x400 V \pm 5% max, as well as 3 25 A to 32 A fuses depending on the boiler power.

6. Proper positioning of the boiler

After positioning, the boiler must be levelled by adjusting the feet. responsibility for the malfunctions caused on the boiler.

The minimum distance of the boiler from non-flammable and low-flammability materials must be 50 cm (preferably greater), and 100 cm from easily flammable materials!

In the case of conducting flue pipes through flammable materials, such as a wooden wall or a wooden structure, it is necessary to insulate the flue pipes appropriately.

If the boiler is installed on a floor made of flammable material, it is necessary to construct a base of non-flammable material under the boiler, with dimensions larger than the dimensions of the boiler (minimum 50 cm from the back and lateral sides, and at least 100 cm from the front of the boiler).

The boiler is delivered to the user on a wooden pallet, which must be removed before connecting the boiler to the central heating system.