



SIZE	PRESSURE	CODE	PACKING
1/4" (DN 8)	50bar/725psi	0920014/N	15/240
3/8" (DN 10)	50bar/725psi	0920038/N	15/240
1/2" (DN 15)	30bar/435psi	1180012	15/195
3/4" (DN 20)	30bar/435psi	1180034	8/86
1" (DN 25)	30bar/435psi	1180100	8/84

Female/female threads.

T handle in aluminium.

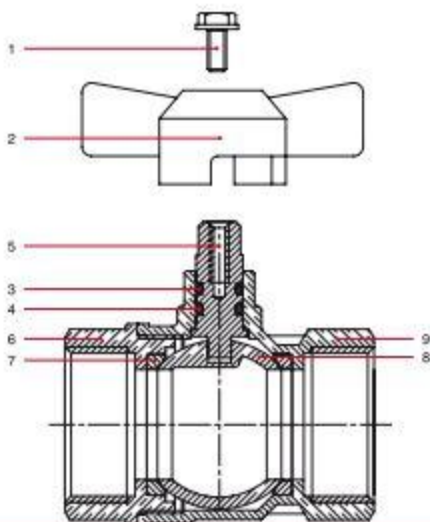
Body in nickel-plated brass.

Minimum and maximum working temperatures:

-20°C, 150°C in absence of steam.

Threads ISO228

(equivalent to DIN EN ISO 228 and BS EN ISO 228).



POS.	DESCRIZIONE	Q.tà	MATERIALE
1	Screw	1	Zinc-plated steel Fe CB4
2	T handle	1	Varnished aluminium
3	O-Ring	1	VITON®
4	O-Ring	1	NBR
5	Stem	1	Brass CW614N
6	End adapter	1	Nickel-plated brass CW617N
7	Seal	2	PTFE
8	Ball	1	Chrome-plated brass CW617N
9	Body	1	Nickel-plated brass CW617N