



Spare parts catalogue  
**XX-XE 125 2T MY21**

# Index

<b>0 - Models (XX-XE 125 2T MY21)</b> .....	<b>4</b>
<b>1 - Frame-Footpegs-Stand (XX-XE 125 2T MY21)</b> .....	<b>6</b>
<b>2 - Swingarm (XX-XE 125 2T MY21)</b> .....	<b>9</b>
<b>3 - Rear absorber (XX-XE 125 2T MY21)</b> .....	<b>11</b>
<b>4 - Steering plates (XX-XE 125 2T MY21)</b> .....	<b>13</b>
<b>5 - Fork (XX-XE 125 2T MY21)</b> .....	<b>15</b>
<b>6 - Front wheel (XX-XE 125 2T MY21)</b> .....	<b>18</b>
<b>7 - Rear wheel (XX-XE 125 2T MY21)</b> .....	<b>20</b>
<b>8 - Front brake (XX-XE 125 2T MY21)</b> .....	<b>23</b>
<b>9 - Rear brake (XX-XE 125 2T MY21)</b> .....	<b>25</b>
<b>10 - Radiators (XX-XE 125 2T MY21)</b> .....	<b>28</b>
<b>11 - Fuel tank (XX-XE 125 2T MY21)</b> .....	<b>30</b>
<b>12 - Aspiration (XX-XE 125 2T MY21)</b> .....	<b>32</b>
<b>13 - Exhaust (XX-XE 125 2T MY21)</b> .....	<b>34</b>
<b>14 - Handlebar - Controls (XX-XE 125 2T MY21)</b> .....	<b>36</b>
<b>15 - Front bodywork (XX-XE 125 2T MY21)</b> .....	<b>38</b>
<b>16 - Rear bodywork (XX-XE 125 2T MY21)</b> .....	<b>40</b>
<b>17 - Electrical circuit (XX-XE 125 2T MY21)</b> .....	<b>43</b>
<b>18 - Booklets - Decalco (XX-XE 125 2T MY21)</b> .....	<b>45</b>
<b>19 - Crankcase (XX-XE 125 2T MY21)</b> .....	<b>47</b>
<b>20 - Crankcase covers (XX-XE 125 2T MY21)</b> .....	<b>49</b>
<b>21 - Motor shaft - Piston (XX-XE 125 2T MY21)</b> .....	<b>51</b>
<b>22 - Head - cylinder (XX-XE 125 2T MY21)</b> .....	<b>53</b>
<b>23 - Clutch (XX-XE 125 2T MY21)</b> .....	<b>55</b>
<b>24 - Water pump (XX-XE 125 2T MY21)</b> .....	<b>57</b>
<b>25 - Exhaust valve control (XX-XE 125 2T MY21)</b> .....	<b>59</b>
<b>26 - Shift control (XX-XE 125 2T MY21)</b> .....	<b>61</b>
<b>27 - Desmodromic (XX-XE 125 2T MY21)</b> .....	<b>63</b>
<b>28 - Gear Shift (XX-XE 125 2T MY21)</b> .....	<b>65</b>
<b>29 - Starter (XX-XE 125 2T MY21)</b> .....	<b>67</b>

<b>30 - Flywheel (XX-XE 125 2T MY21)</b> .....	69
<b>31 - Carburetor (XX-XE 125 2T MY21)</b> .....	71
<b>100 - Suggested Spare Parts 2-Stroke</b> .....	74
<b>101 - Suggested Spare Parts 2 Stroke</b> .....	76



**XX-XE 125**

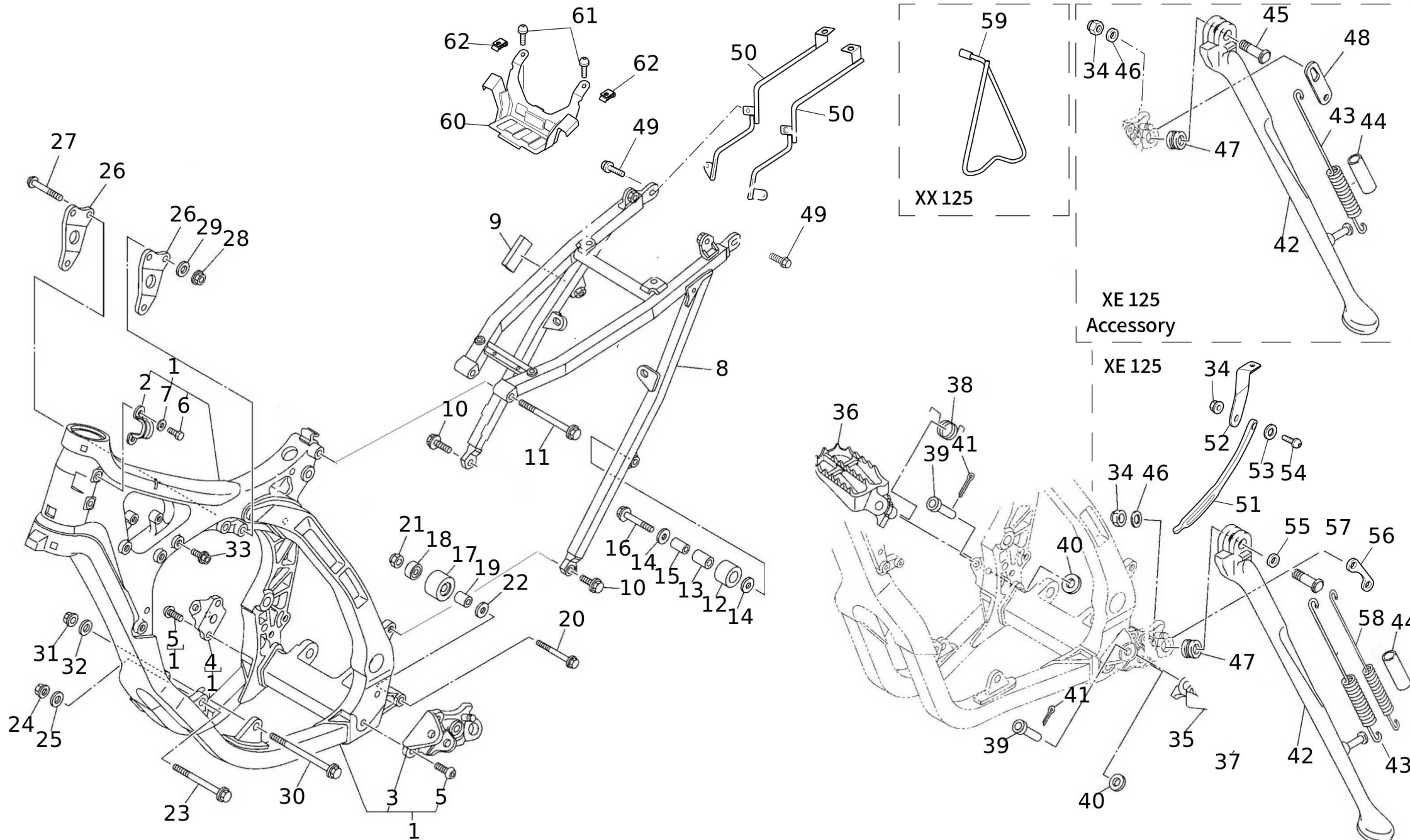
White



#	Code	Description	Specification	UM	Qty
---	------	-------------	---------------	----	-----



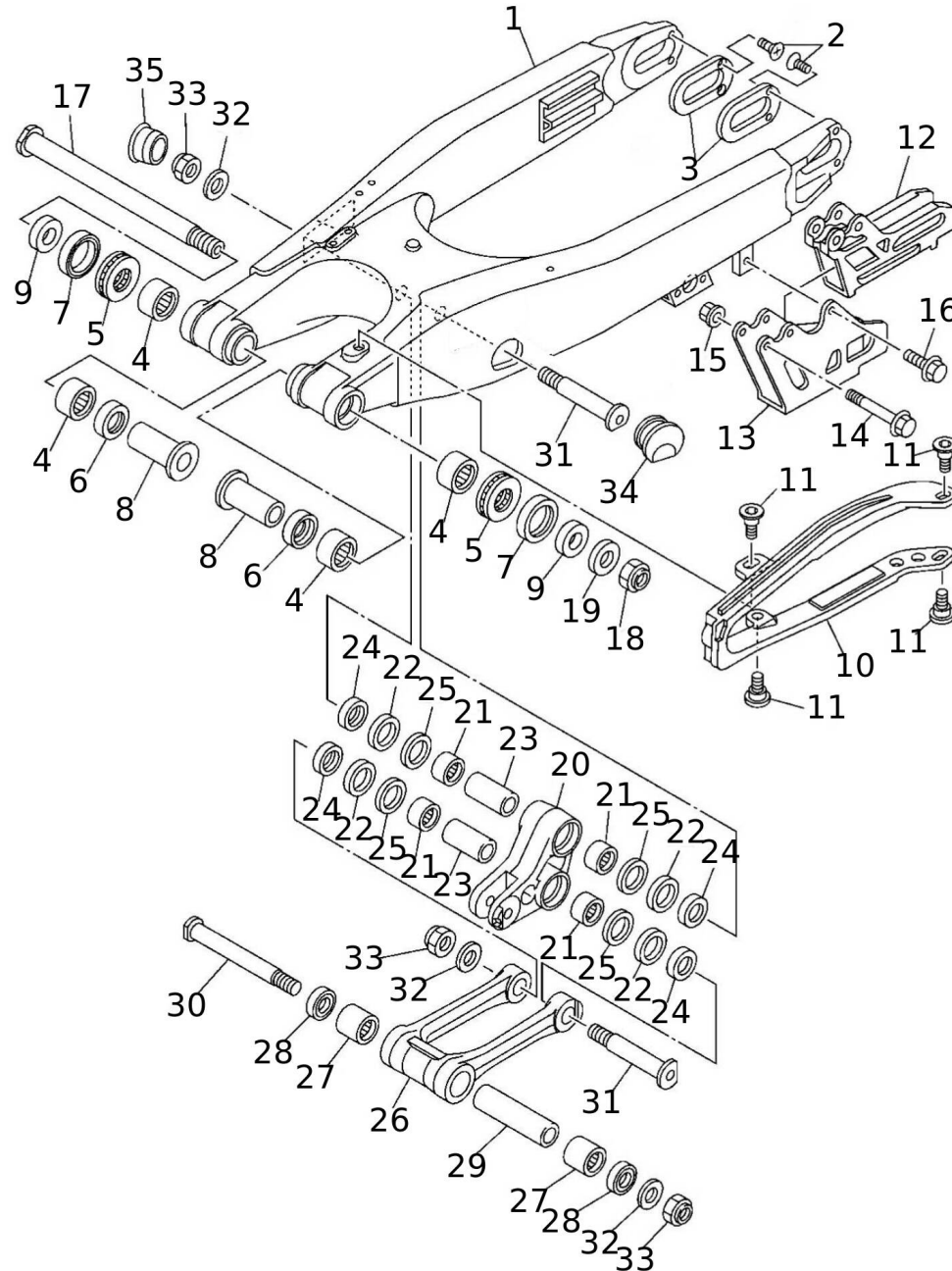
0 - Models (XX-XE 125 2T MY21)



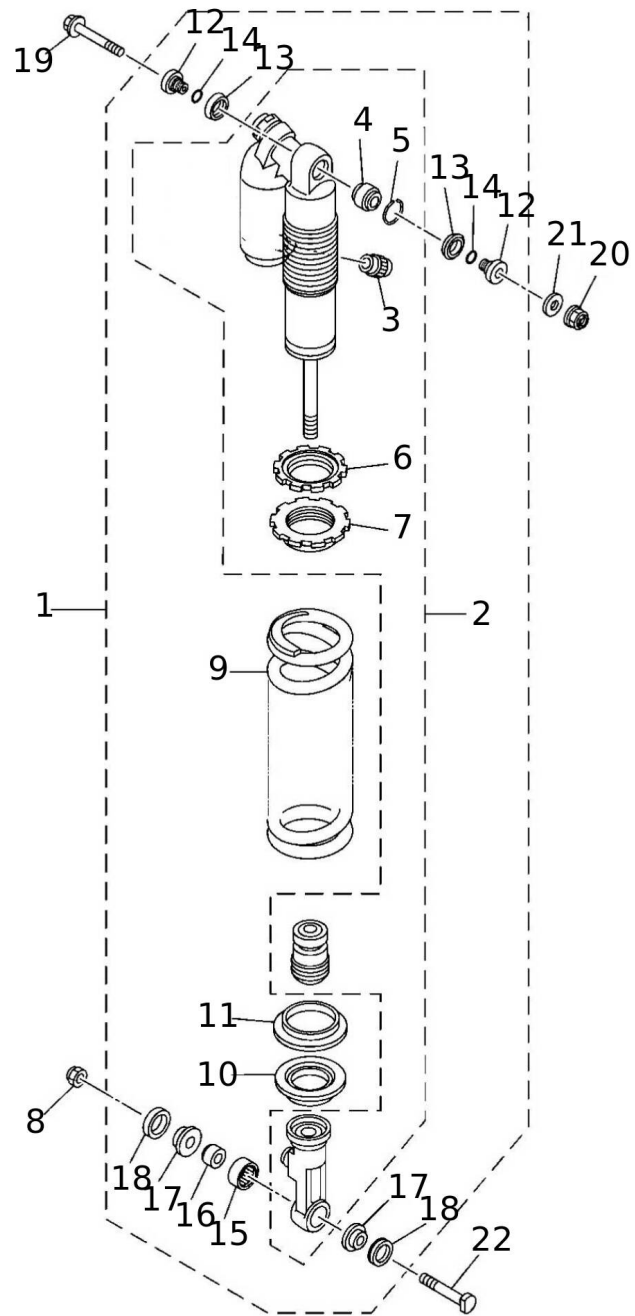
1 - Frame-Footpegs-Stand (XX-XE 125 2T MY21)

#	Code	Description	Specification	UM	Qty
1	05993005	GRUPPO TELAIO ANTERIORE	XX	pz	1
1	06027005	GRUPPO TELAIO ANTERIORE	XE	pz	1
2	05994005	CLAMP WIRE HARNESS		pz	1
3	05995005	BRACKET FOOTREST	XX	pz	1
3	06028005	BRACKET FOOTREST	XE	pz	1
4	05996005	BRACKET FOOTREST		pz	1
5	05997005	SCREW		pz	4
6	05998005	BOLT		pz	2
7	05999005	WASHER		pz	2
8	06000005	REAR FRAME COMP.		pz	1
9	06001005	GROMMET		pz	1
10	06002005	BOLT FLANGE		pz	2
11	06003005	BOLT FLANGE		pz	1
12	06004005	TENSIONER		pz	1
13	06005005	COLLAR		pz	1
14	06006005	WASHER PLATE		pz	2
15	06007005	COLLAR		pz	1
16	06008005	BOLT FLANGE		pz	1
17	06009005	TENSIONER		pz	1
18	06010005	BEARING		pz	1
19	06011005	COLLAR		pz	1
20	06012005	BOLT FLANGE (SMALL HEAD)	XX	pz	1
20	06029005	BOLT FLANGE (SMALL HEAD)	XE	pz	1
21	06013005	NUT SELF-LOCKING		pz	1
22	06014005	WASHER PLATE		pz	1
23	06015005	BOLT FLANGE		pz	1
24	06016005	NUT		pz	1
25	06017005	WASHER		pz	1
26	06018005	SUPPORTO POSTERIORE ALTO 1		pz	2
27	06019005	BOLT,HEX. SOCKET BUTTON		pz	3
28	06020005	NUT		pz	3
29	06021005	WASHER PLATE		pz	3
30	06022005	BOLT FLANGE		pz	1
31	06016005	NUT		pz	1
32	06017005	WASHER		pz	1
33	06025005	NUT		pz	2
34	06353005	NUT SELF-LOCKING	XE	pz	1
35	06338005	FOOTREST 1		pz	1
36	06339005	FOOTREST 2		pz	1
37	06340005	SPRING, TORSION		pz	1

#	Code	Description	Specification	UM	Qty
38	06341005	SPRING, TORSION		pz	1
39	06342005	PIN CLEVIS		pz	2
40	06343005	WASHER PLATE		pz	2
41	06344005	PIN COTTER		pz	2
42	06346005	STAND SIDE	XE	pz	1
43	06347005	SPRING, TENSION	XE	pz	1
44	06348005	HOSE (L70)	XE	pz	1
45	06349005	BOLT	Accessory XE	pz	1
46	06350005	WASHER	XE	pz	1
47	06351005	COLLAR	XE	pz	1
48	06352005	LINK SIDE STAND	Accessory XE	pz	1
49	07433005	VITE 6X10 TE FLANGIATA		pz	2
50	07391005	LICENSE PLATE SUBFRAME XE	XE	pz	1
51	07369005	RUBBER	XE	pz	1
52	07432005	SIDE STAND RUBBER BRACKET	XE	pz	1
53	00058005	WASHER 6X18		pz	1
54	00044005	SCREW-SOCKET HEAD 6X16	XE	pz	1
55	00766005	MOTARD FRONT FENDER 4.5 BUSHING	XE	pz	1
56	07384005	SIDE STAND RETURN CAM	XE	pz	1
57	07668005	SIDE STAND RETURN PIN XE	XE	pz	1
58	07395005	SIDE STAND INNER SPRING XE	XE	pz	1
59	06345005	STAND SIDE	XX	pz	1
60	07383005	BATTERY SUPPORTING BRACKET XE	XE	pz	1
61	02540005	SCREW-SOCKET CONVEX HEAD 6X16	XE	pz	2
62	00070005	GRAFFETTA METALLICA 6X24	XE	pz	2



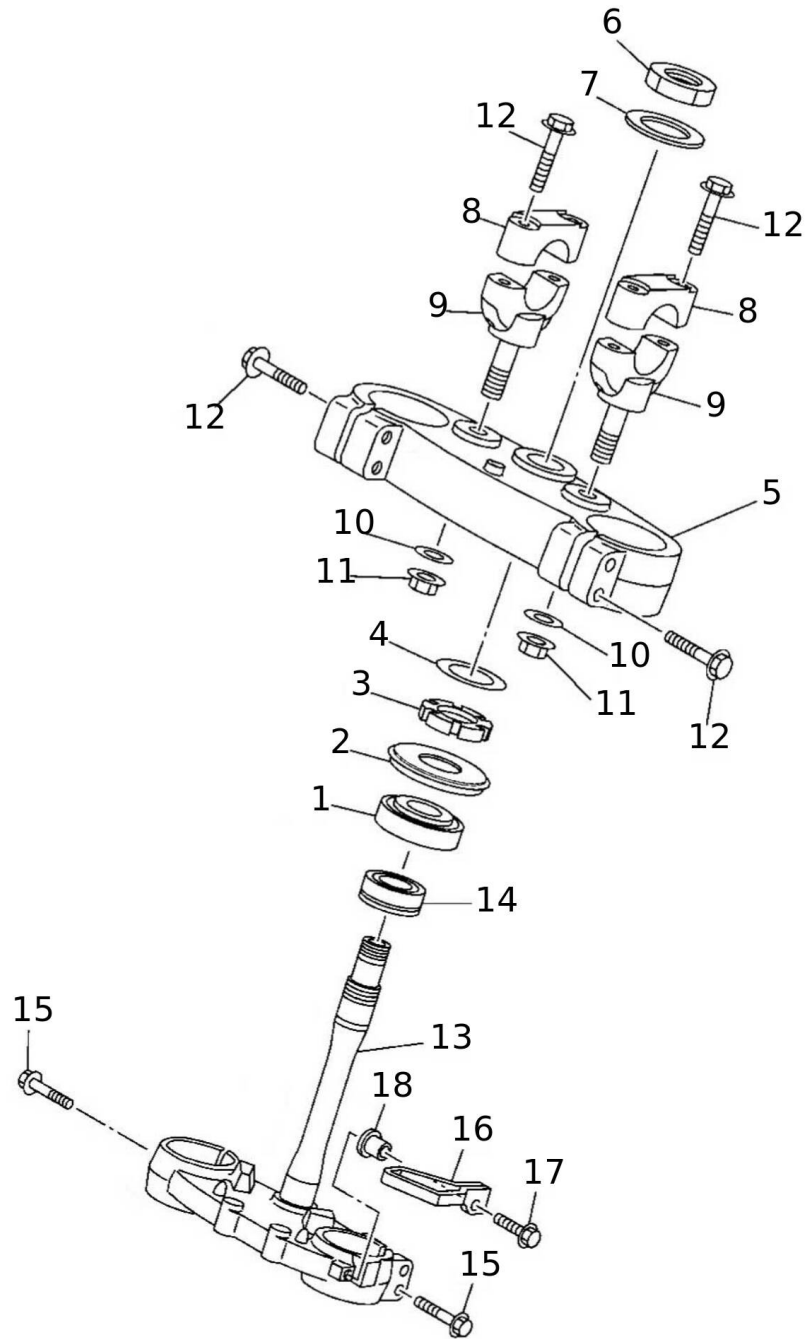
#	Code	Description	Specification	UM	Qty
1	06031005	REAR ARM COMP.		pz	1
2	06032005	SCREW COUNTERSUNK		pz	4
3	06033005	PATCH		pz	2
4	06034005	BEARING		pz	4
5	06035005	BEARING		pz	2
6	06036005	OIL SEAL		pz	2
7	06037005	OIL SEAL		pz	2
8	06038005	COLLAR		pz	2
9	06039005	COLLAR		pz	2
10	06040005	SEAL GUARD		pz	1
11	06041005	SCREW		pz	4
12	06042005	SUPPORT CHAIN		pz	1
13	06043005	COVER THRUST		pz	1
14	06044005	VITE M6X50 (T.F. 20) TE FLANGIATA		pz	2
15	06045005	NUT		pz	2
16	06046005	BOLT FLANGE		pz	1
17	06047005	SHAFT PIVOT		pz	1
18	06048005	NUT SELF-LOCKING		pz	1
19	06049005	WASHER PLATE		pz	1
20	06050005	ARM RELAY		pz	1
21	06051005	BEARING		pz	4
22	06052005	OIL SEAL		pz	4
23	06053005	COLLAR		pz	2
24	06054005	WASHER		pz	4
25	06055005	WASHER		pz	4
26	06056005	ROD CONNECTING 1		pz	1
27	06051005	BEARING		pz	2
28	06058005	OIL SEAL		pz	2
29	06059005	COLLAR		pz	1
30	06060005	SHAFT 1		pz	1
31	06061005	SHAFT 2		pz	2
32	06062005	WASHER		pz	3
33	06063005	NUT SELF-LOCKING		pz	3
34	06064005	COVER		pz	1
35	06065005	COVER 2		pz	1



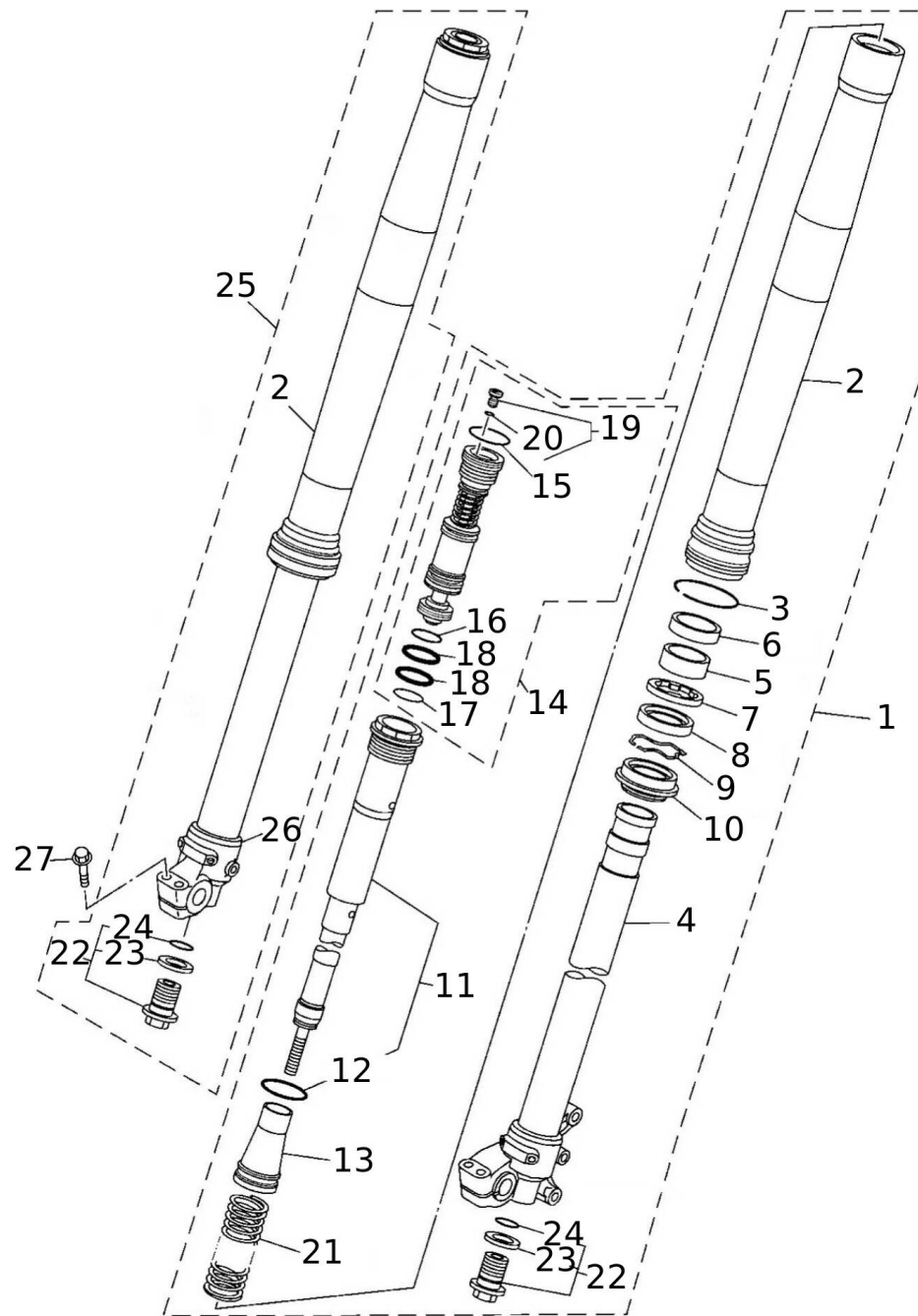


#	Code	Description	Specification	UM	Qty
1	06067005	SHOCK ABSORBER ASSY REAR	XX	pz	1
1	06090005	SHOCK ABSORBER ASSY REAR	XE	pz	1
2	06068005	DAMPER SUB ASSY	XX	pz	1
2	06091005	DAMPER SUB ASSY	XE	pz	1
3	06069005	CAP AIR VALVE		pz	1
4	06070005	BUSH SHOCK ABSORBER		pz	1
5	06071005	CIRCLIP		pz	1
6	06072005	GUIDE SPRING		pz	1
7	06073005	SEAT SPRING UPPER		pz	1
8	06089005	NUT SELF-LOCKING		pz	1
9	06075005	REAR SHOCK SPRING (K=46N/MM)	STD	pz	1
9	06401005	REAR SHOCK SPRING (K=42N/MM)	Accessory	pz	1
9	06402005	REAR SHOCK SPRING (K=44N/MM)	Accessory	pz	1
9	06403005	REAR SHOCK SPRING (K=48N/MM)	Accessory	pz	1
9	06404005	REAR SHOCK SPRING (K=50N/MM)	Accessory	pz	1
9	06405005	REAR SHOCK SPRING (K=52N/MM)	Accessory	pz	1
9	06406005	REAR SHOCK SPRING (K=54N/MM)	Accessory	pz	1
9	06407005	REAR SHOCK SPRING (K=56N/MM)	Accessory	pz	1
9	06408005	SPRING (K=APPROX.44N/MM)	Accessory	pz	1
9	06409005	SPRING (K=APPROX.46N/MM)	Accessory	pz	1
9	06410005	SPRING (K=APPROX.48N/MM)	Accessory	pz	1
9	06411005	SPRING (K=APPROX.50N/MM)	Accessory	pz	1
9	06412005	SPRING (K=APPROX.52N/MM)	Accessory	pz	1
9	06413005	SPRING (K=APPROX.54N/MM)	Accessory	pz	1
9	06414005	SPRING (K=APPROX.56N/MM)	Accessory	pz	1
10	06076005	GUIDE SPRING 1		pz	1
11	06077005	GUIDE SPRING 2		pz	1
12	06078005	COLLAR DISTANCE		pz	2
13	06079005	SEAL, DUST		pz	2
14	06080005	SEAL RING		pz	2
15	06081005	BEARING		pz	1
16	06082005	BEARING		pz	1
17	06083005	COLLAR DISTANCE		pz	2
18	06084005	SEAL, DUST		pz	2
19	06085005	BOLT		pz	1
20	06086005	NUT S/L FLANGE		pz	1
21	06017005	WASHER		pz	1
22	06088005	BOLT		pz	1





#	Code	Description	Specification	UM	Qty
1	06093005	BEARING		pz	1
2	06094005	COVER BALL RACE 2		pz	1
3	06095005	NUT		pz	1
4	06096005	WASHER PLATE (T1.0)		pz	1
5	06097005	PIASTRA DI STERZO SUPERIORE		pz	1
6	06098005	NUT		pz	1
7	06099005	WASHER PLATE		pz	1
8	06100005	SUPPORTO SUPERIORE MANUBRIO		pz	2
9	06101005	SUPPORTO INFERIORE MANUBRIO		pz	2
10	06102005	WASHER PLATE		pz	2
11	06103005	NUT SELF-LOCKING		pz	2
12	06104005	BOLT FLANGE		pz	8
13	06153005	UNDER BRACKET COMP.		pz	1
14	06154005	BEARING		pz	1
15	06155005	BOLT FLANGE		pz	4
16	06156005	GUIDE, CABLE		pz	1
17	06157005	BOLT FLANGE		pz	1
18	06158005	COLLAR		pz	1



5 - Fork (XX-XE 125 2T MY21)

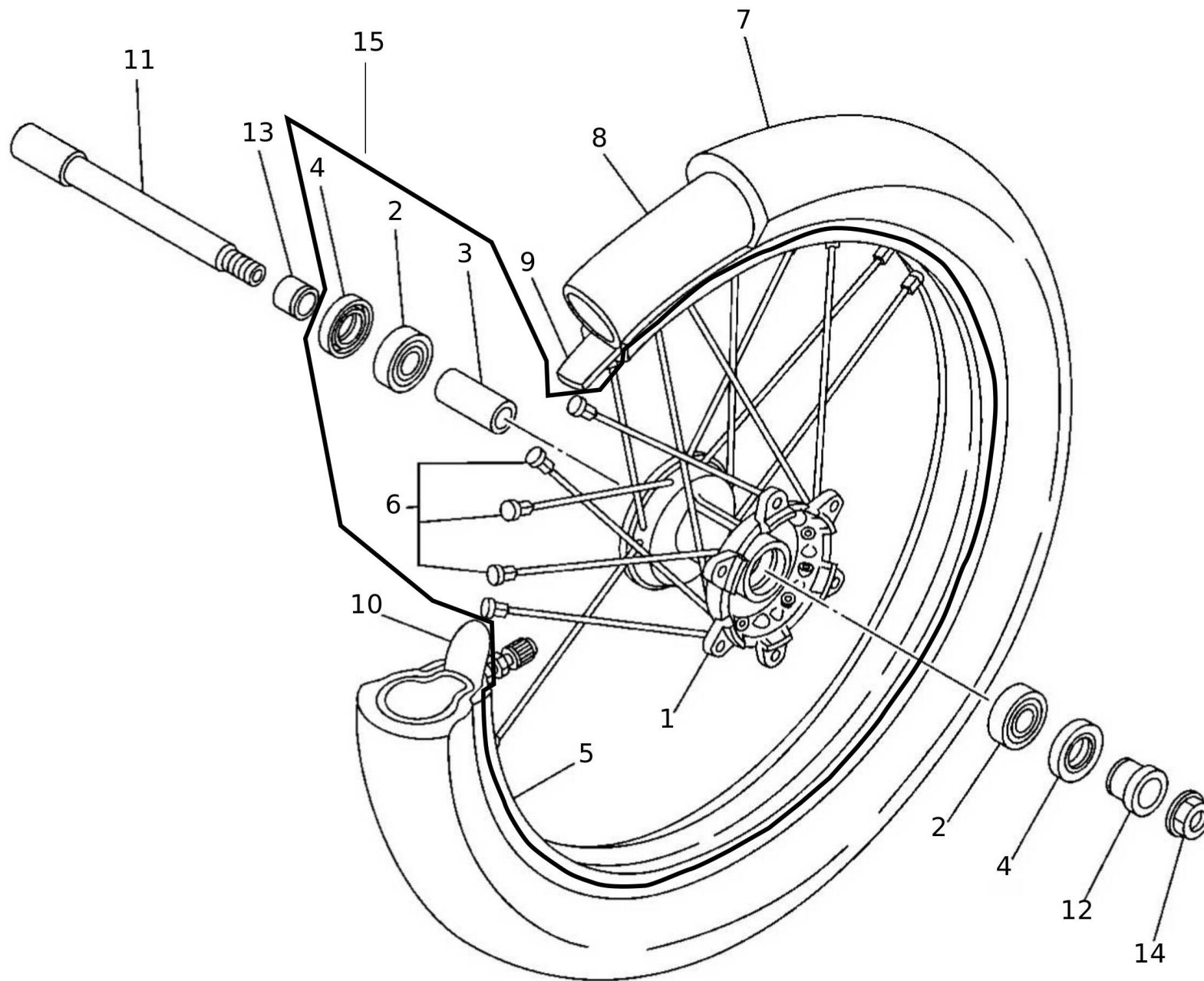
#	Code	Description	Specification	UM	Qty
1	06105005	FRONT FORK ASSY (L.H)	XX	pz	1
1	06165005	FRONT FORK ASSY (L.H)	XE	pz	1
2	06106005	.TUBE, OUTER		pz	2
3	06107005	CIRCLIP		pz	2
4	06108005	.INNERTUBECOMP. 2		pz	1
5	06109005	SPACER FRONT FORK		pz	2
6	06110005	METAL SLIDE 1		pz	2
7	06111005	WASHER, OIL SEAL		pz	2
8	06112005	OIL SEAL		pz	2
9	06113005	RING SNAP		pz	2
10	06114005	SEAL DUST		pz	2
11	06115005	CYLINDER COMP., FRONT FORK	XX	pz	2
11	08129005	CYLINDER COMP., FRONT FORK	XE	pz	2
12	06116005	O-RING		pz	2
13	06117005	SEAT SPRING UPPER		pz	2
14	06118005	VALVE COMP.	XX	pz	2
14	08130005	VALVE COMP.	XE	pz	2
15	06119005	O-RING		pz	2
16	06120005	O-RING		pz	2
17	06121005	O-RING		pz	2
18	06122005	O-RING		pz	4
19	06123005	AIR VALVE COMP.		pz	2
20	06124005	O-RING		pz	2
21	06125005	SPRING, FRONT FORK(K=4.1N/MM)	STD	pz	2
21	06415005	SPRING FRONT FORK (K=3.9N/MM)	Accessory	pz	2
21	06416005	SPRING FRONT FORK (K=4.0N/MM)	Accessory	pz	2
21	06417005	SPRING FRONT FORK (K=4.1N/MM)	Accessory	pz	2
21	06418005	SPRING FRONT FORK (K=4.2N/MM)	Accessory	pz	2
21	06419005	SPRING FRONT FORK (K=4.3N/MM)	Accessory	pz	2
21	06420005	SPRING FRONT FORK (K=4.4N/MM)	Accessory	pz	2
21	06421005	SPRING FRONT FORK (K=4.5N/MM)	Accessory	pz	2
21	06422005	SPRING FRONT FORK (K=4.6N/MM)	Accessory	pz	2
21	06423005	SPRING FRONT FORK (K=4.7N/MM)	Accessory	pz	2
22	06126005	VITE DI REGOLAZIONE		pz	2
23	06127005	GASKET		pz	2
24	06128005	GASKET		pz	2
25	06129005	FRONT FORK ASSY (R.H)	XX	pz	1
25	06166005	FRONT FORK ASSY (R.H)	XE	pz	1
26	06132005	.INNER TUBE COMP.1		pz	1
27	06155005	BOLT FLANGE		pz	4

#	Code	Description	Specification	UM	Qty
---	------	-------------	---------------	----	-----

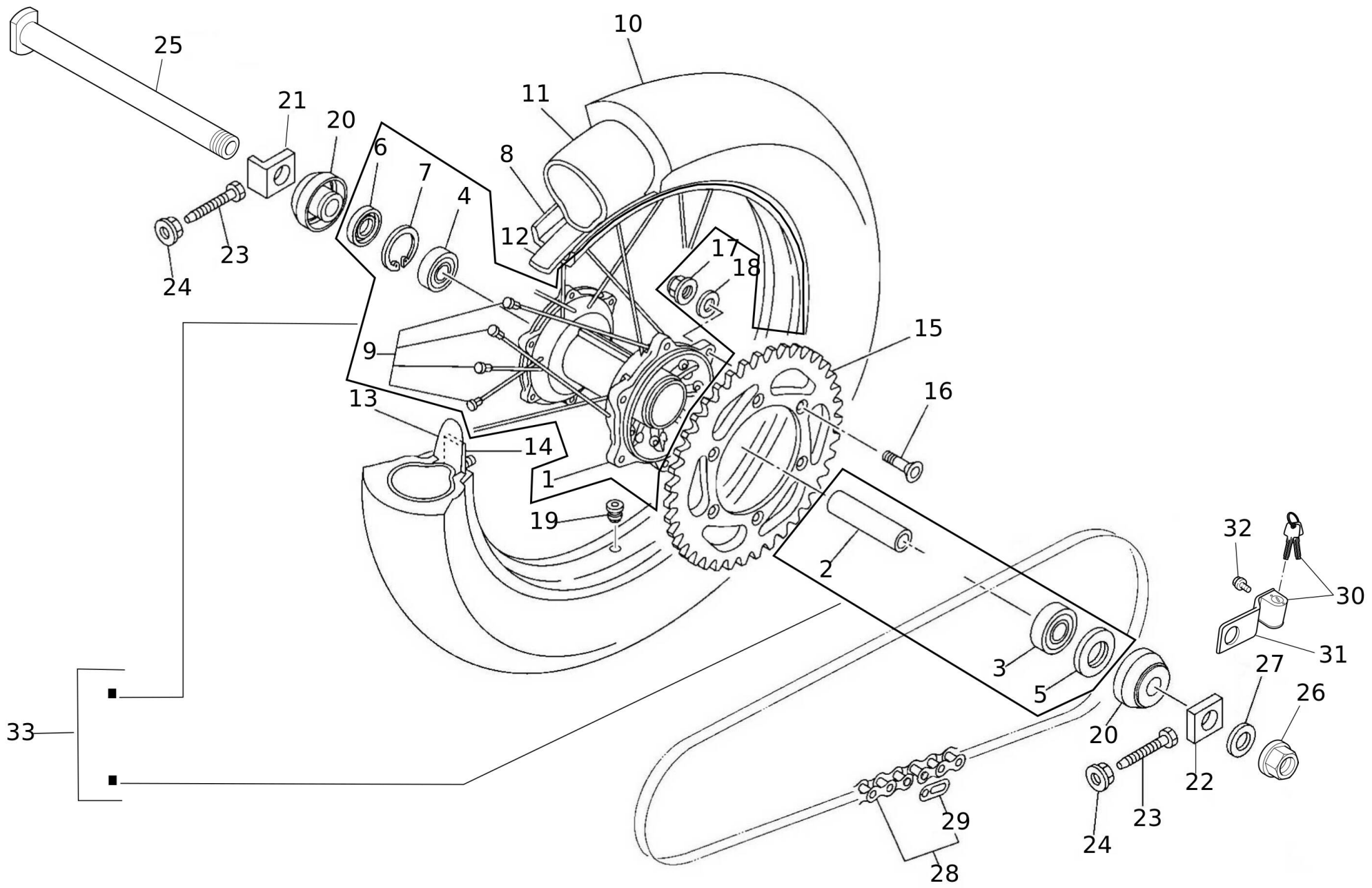


5 - Fork (XX-XE 125 2T MY21)

5\_XX\_XE125\_MY21  
17/77



#	Code	Description	Specification	UM	Qty
1	06196005	HUB FRONT		pz	1
2	06197005	BEARING		pz	2
3	06198005	SPACER, BEARING		pz	1
4	06199005	OIL SEAL		pz	2
5	08131005	RIM (1.60-21)		pz	1
6	06201005	SPOKE SET FRONT		pz	1
7	06202005	TIRE (80/100-21 51M MX52F)	XX	pz	1
7	07401005	FRONT TIRE XE (90/90-21)	XE	pz	1
8	00234005	INNER TUBE-FRONT 21" CASA	XE	pz	1
8	06203005	TUBE (80/100-21 M/C TR4)	XX	pz	1
9	06204005	BAND RIM (22-21)		pz	1
10	06205005	SPACER BEAD		pz	1
11	06206005	PERNO RUOTA ANTERIORE		pz	1
12	06207005	COLLAR WHEEL		pz	1
13	06208005	COLLAR WHEEL		pz	1
14	06209005	NUT		pz	1
15	09059020	FR. RIM XX/XE 125 ASSY		pz	1



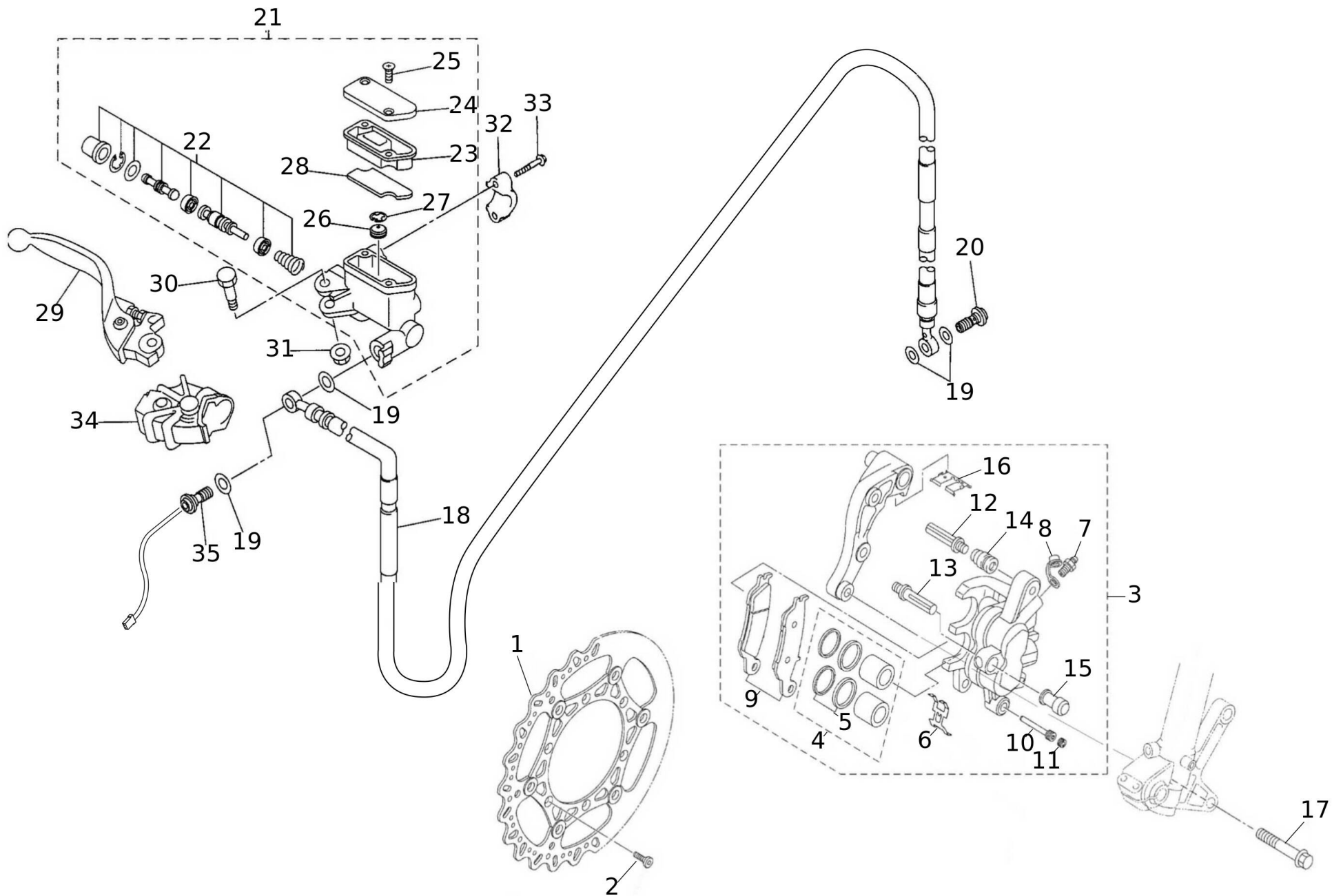
7 - Rear wheel (XX-XE 125 2T MY21)



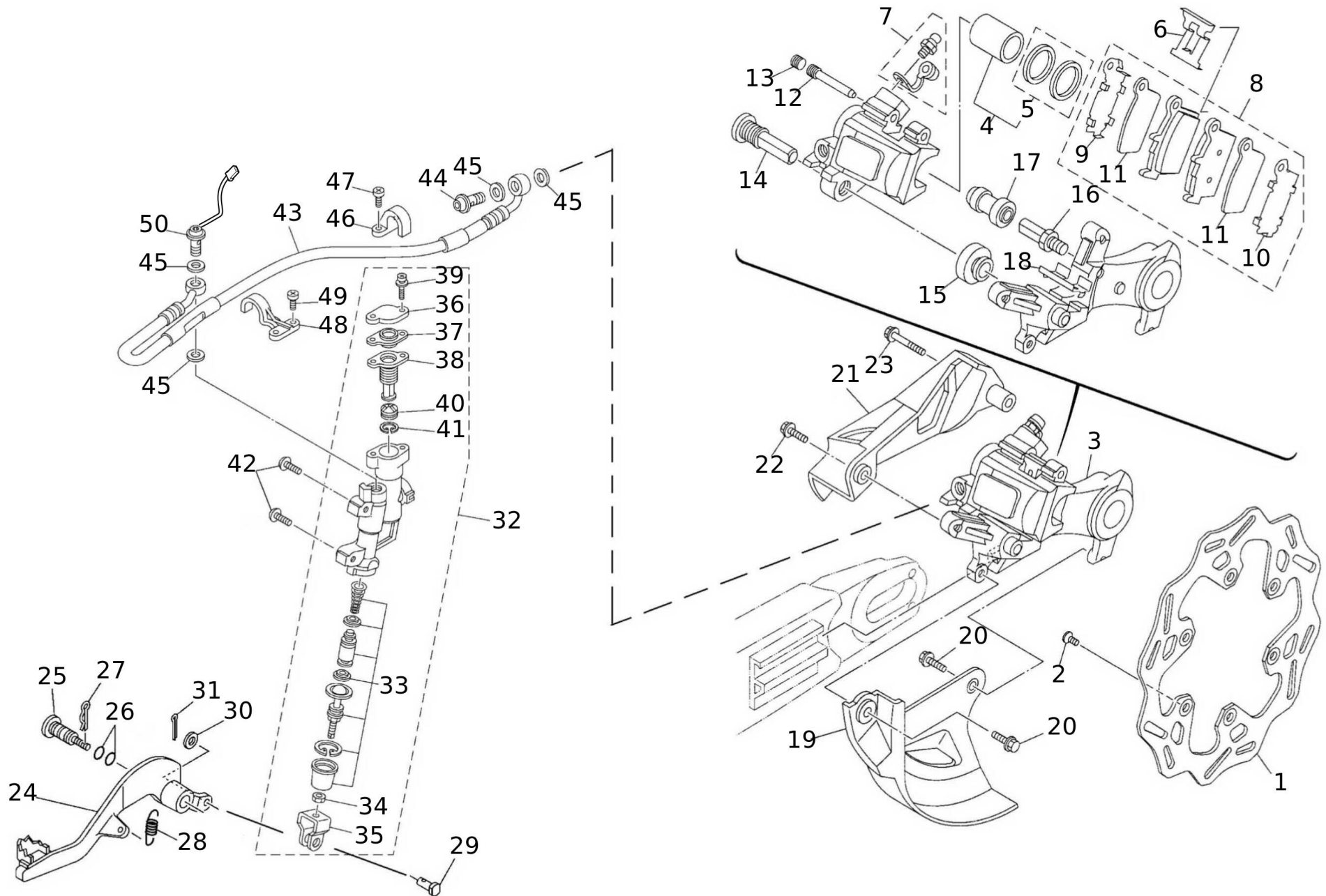
#	Code	Description	Specification	UM	Qty
1	06228005	MOZZO POSTERIORE		pz	1
2	06229005	SPACER, BEARING		pz	1
3	06230005	BEARING		pz	1
4	06231005	BEARING		pz	1
5	06232005	OIL SEAL		pz	1
6	06233005	OIL SEAL		pz	1
7	06234005	CIRCLIP		pz	1
8	08132005	RIM (2.15-18)	XE	pz	1
8	08133005	RIM (1.85-19)	XX	pz	1
9	06236005	SET RAGGI POSTERIORE 19"	XX	pz	1
9	06263005	SPOKE SET REAR	XE	pz	1
10	06237005	TIRE (100/90-19 57M MX52)	XX	pz	1
10	07402005	REAR TIRE XE (120/90-18)	XE	pz	1
11	00203005	INNER TUBE-REAR 18" CASA	XE	pz	1
11	06238005	TUBE (100/90-19 M/C TR4 BTL)	XX	pz	1
12	06239005	BAND RIM (22-19)	XX	pz	1
12	06266005	BAND RIM (25-18)	XE	pz	1
13	06240005	SPACER BEAD	XX	pz	1
13	06267005	SPACER BEAD	XE	pz	1
14	06241005	DAMPER SUB ASSY		pz	1
15	06242005	SPROCKET DRIVEN (48T)	STD XX	pz	1
15	06243005	SPROCKET DRIVEN (47T)	Accessory	pz	1
15	06244005	SPROCKET DRIVEN (49T)	Accessory	pz	1
15	06245005	SPROCKET DRIVEN (50T)	Accessory	pz	1
15	06246005	SPROCKET DRIVEN (51T)	Accessory	pz	1
15	06247005	SPROCKET DRIVEN (52T)	Accessory	pz	1
15	07413005	REAR SPROCKET 520 Z46 XE 125	STD XE	pz	1
16	06248005	BOLT		pz	6
17	06249005	NUT SELF-LOCKING		pz	6
18	06014005	WASHER PLATE		pz	6
19	06251005	GROMMET		pz	1
20	06252005	COLLAR ASSY		pz	2
21	06253005	PULLER, CHAIN 1		pz	1
22	06254005	PULLER CHAIN 2		pz	1
23	06255005	BOLT		pz	2
24	05627005	NUT		pz	2
25	06257005	PERNO RUOTA POSTERIORE		pz	1
26	06258005	NUT SELF-LOCKING		pz	1
27	06259005	WASHER PLATE		pz	1
28	06260005	CHAIN (DID520DMA4K-112LL)	XX	pz	1

#	Code	Description	Specification	UM	Qty
28	06268005	CHAIN 520 114 LINKS WITH MASTER JOINT	XE	pz	1
29	06261005	JOINT CHAIN(DID520DM G&B-RJ)	XX	pz	1
29	06269005	JOINT CHAIN(DID520MXV5 ZJ)	XE	pz	1
30	07386005	REAR SPROCKET LOCK XE/XEF	XE	pz	1
31	07393005	REAR SPROCKET LOCK SUPPORTING BRACKET	XE	pz	1
32	07444005	M6X12 SCREW COUNTERSUNK	XE	pz	2
33	09060020	RR. RIM XX 125 ASSY	XX	pz	1
33	09061020	RR. RIM XE 125 ASSY	XE	pz	1





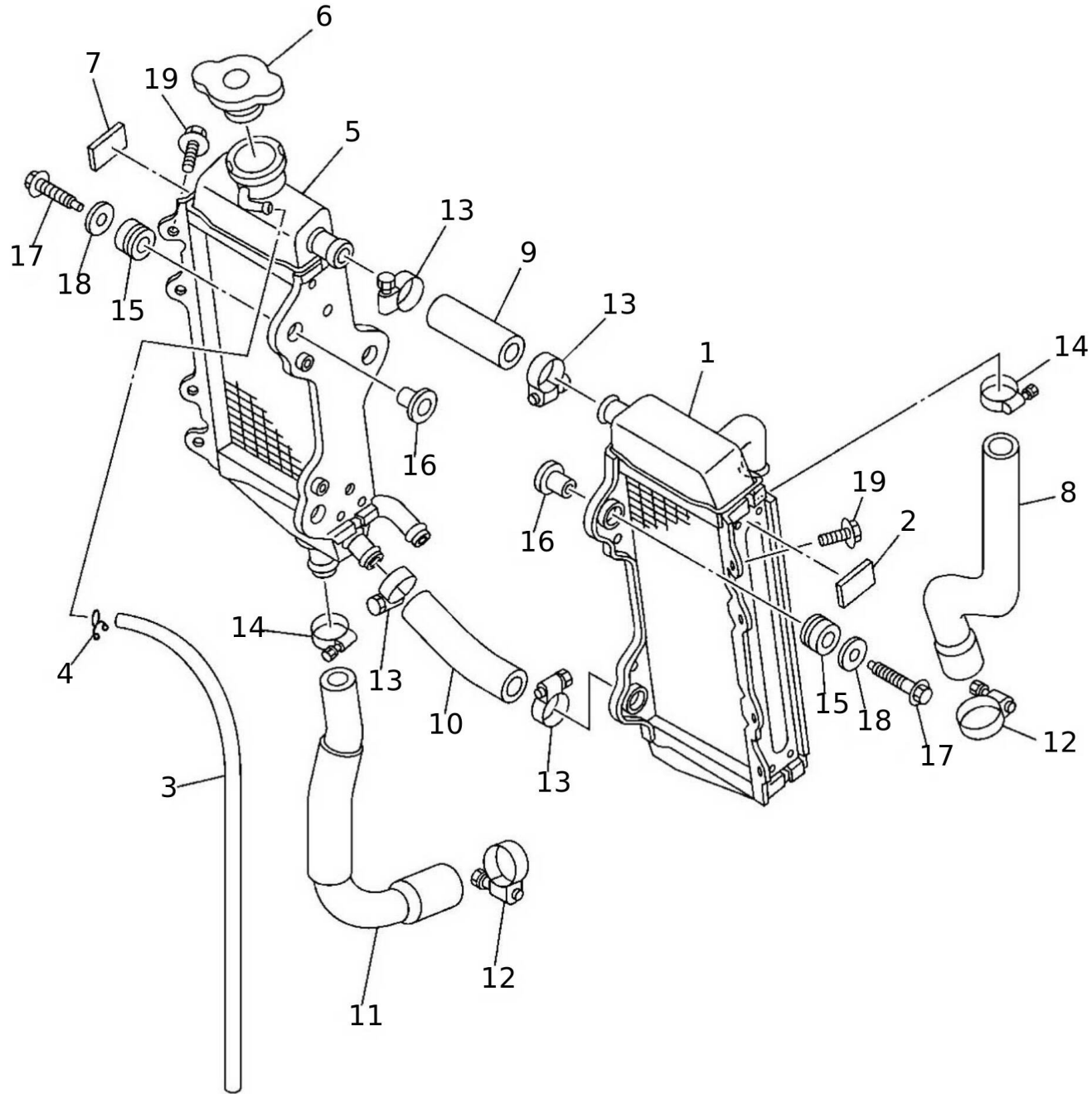
#	Code	Description	Specification	UM	Qty
1	06211005	GRUPPO DISCO FRENO		pz	1
2	06212005	SCREW COUNTERSUNK		pz	6
3	06213005	CALIPER ASSY (LEFT)		pz	1
4	06214005	PISTON ASSY CALIPER		pz	1
5	06215005	CALIPER SEAL KIT		pz	1
6	06216005	SUPPORT PAD		pz	1
7	06217005	SCREW BLEED		pz	1
8	06218005	CAP		pz	1
9	06219005	BRAKE PAD KIT		pz	1
10	06220005	PIN PAD		pz	1
11	06221005	PLUG		pz	1
12	06222005	SCREW, PAN HEAD		pz	1
13	06223005	PIN		pz	1
14	06224005	BOOT CALIPER		pz	1
15	06225005	BOOT 2		pz	1
16	06226005	SUPPORT PAD		pz	1
17	06227005	BOLT FLANGE		pz	2
18	06312005	TUBO FRENO 1		pz	1
19	06313005	GASKET		pz	4
20	06314005	BOLT UNION		pz	1
21	06315005	MASTER CYLINDER SUB ASSY		pz	1
22	06316005	CYLINDER KIT MASTER		pz	1
23	06317005	DIAFRAMMA SERBATOIO		pz	1
24	06318005	CAP RESERVOIR		pz	1
25	06319005	SCREW FLAT HEAD		pz	2
26	06320005	SEPARATOR ASSY		pz	1
27	06321005	CIRCLIP		pz	1
28	06322005	FLOAT RESERVOIR		pz	1
29	06323005	LEVER 2		pz	1
30	06324005	BOLT LEVER		pz	1
31	06325005	NUT WITH WASHER		pz	1
32	06326005	BRACKET MASTER CYLINDER		pz	1
33	06327005	BOLT FITTING		pz	2
34	06328005	COVER HANDLE LEVER 1		pz	1
35	02112005	STOP SWITHC (BRAKING)	XE	pz	1



#	Code	Description	Specification	UM	Qty
1	06270005	DISCO FRENO POSTERIORE 2		pz	1
2	06212005	SCREW COUNTERSUNK		pz	6
3	06272005	CALIPER ASSY, REAR 2		pz	1
4	06273005	PISTON ASSY CALIPER		pz	1
5	06274005	CALIPER SEAL KIT		pz	1
6	06275005	SUPPORT PAD		pz	1
7	06276005	BLEED SCREW KIT		pz	1
8	06277005	BRAKE PAD KIT 2		pz	1
9	06278005	SHIM CALIPER		pz	1
10	06279005	SHIM CALIPER		pz	1
11	06280005	INSULATOR HEAT		pz	2
12	06281005	PIN PAD		pz	1
13	06221005	PLUG		pz	1
14	06283005	PIN		pz	1
15	06224005	BOOT CALIPER		pz	1
16	06285005	PIN		pz	1
17	06225005	BOOT 2		pz	1
18	06287005	HOLDER		pz	1
19	06288005	PROTECTOR DISK BRAKE		pz	1
20	06289005	BOLT FLANGE		pz	2
21	06290005	PROTEZIONE PINZA		pz	1
22	06289005	BOLT FLANGE		pz	1
23	05727005	VITE M6X30 TE FLANGIATA		pz	1
24	06330005	PEDAL BRAKE		pz	1
25	06331005	BOLT		pz	1
26	06332005	O-RING		pz	2
27	06333005	CIRCLIP		pz	1
28	06334005	SPRING, TENSION		pz	1
29	06335005	PIN CLEVIS		pz	1
30	06336005	WASHER PLATE		pz	1
31	06337005	PIN COTTER		pz	1
32	06354005	RR. MASTER CYLINDER ASSY.		pz	1
33	06355005	CYLINDER KIT MASTER		pz	1
34	06356005	NUT		pz	1
35	06357005	JOINT		pz	1
36	06358005	CAP RESERVOIR		pz	1
37	06359005	PLATE DIAPHRAGM		pz	1
38	06360005	DIAFRAMMA SERBATOIO		pz	1
39	06361005	BOLT		pz	2
40	06320005	SEPARATOR ASSY		pz	1

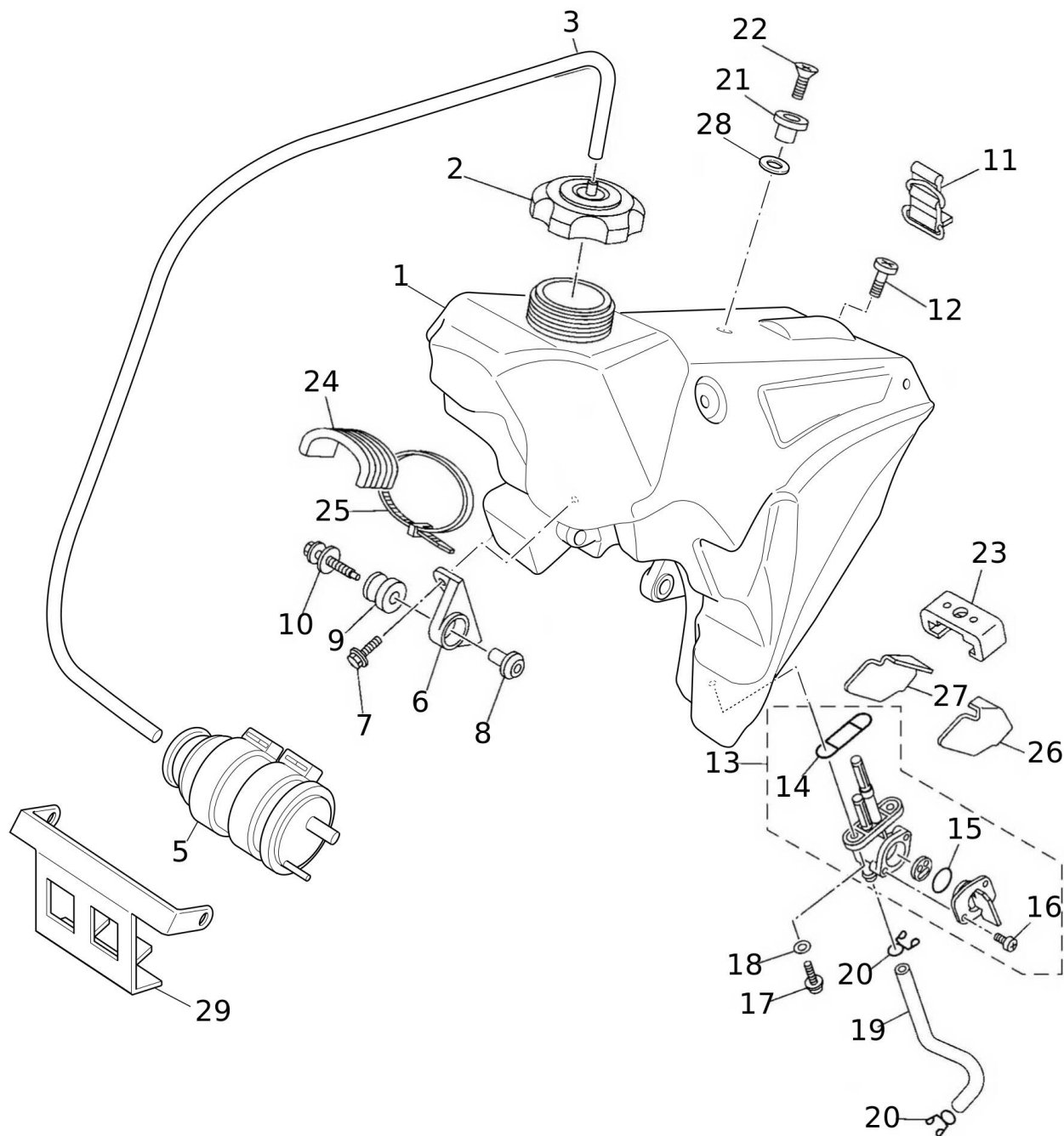
#	Code	Description	Specification	UM	Qty
41	06321005	CIRCLIP		pz	1
42	06364005	BOLT,HEX. SOCKET BUTTON		pz	2
43	06365005	TUBO FRENO 2		pz	1
44	06314005	BOLT UNION		pz	1
45	06313005	GASKET		pz	4
46	06368005	HOLDER BRAKE HOSE		pz	1
47	06369005	SCREW PAN HEAD		pz	2
48	06370005	HOLDER BRAKE HOSE 2		pz	1
49	06369005	SCREW PAN HEAD		pz	2
50	02112005	STOP SWITHC (BRAKING)	XE	pz	1



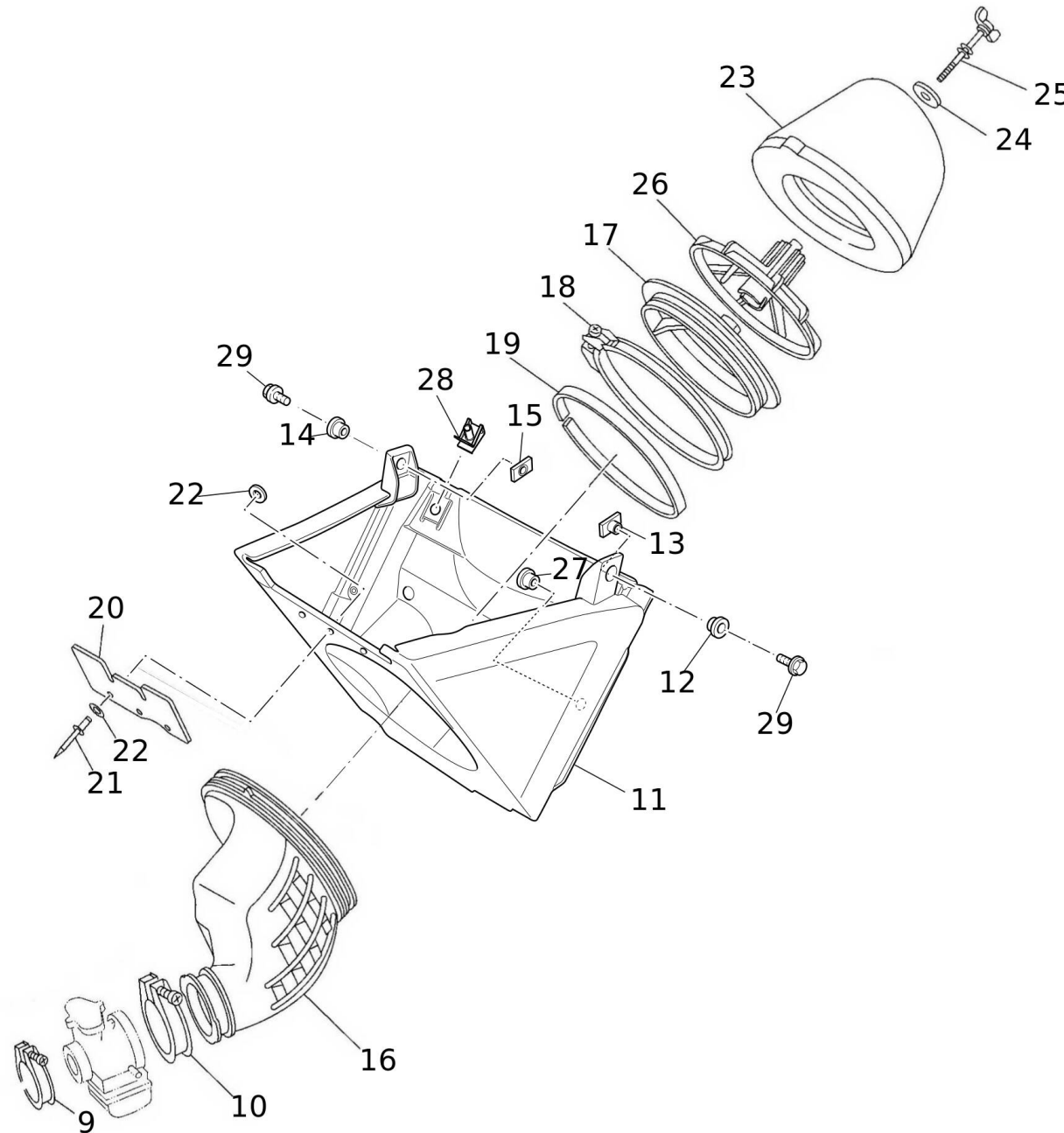
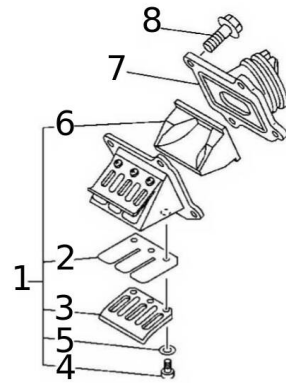
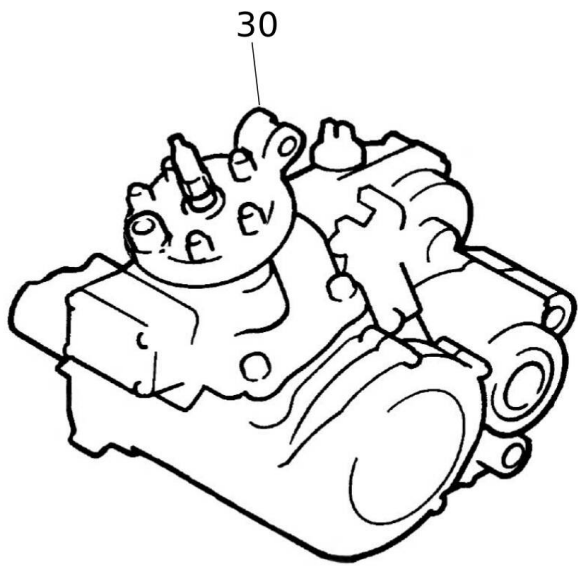




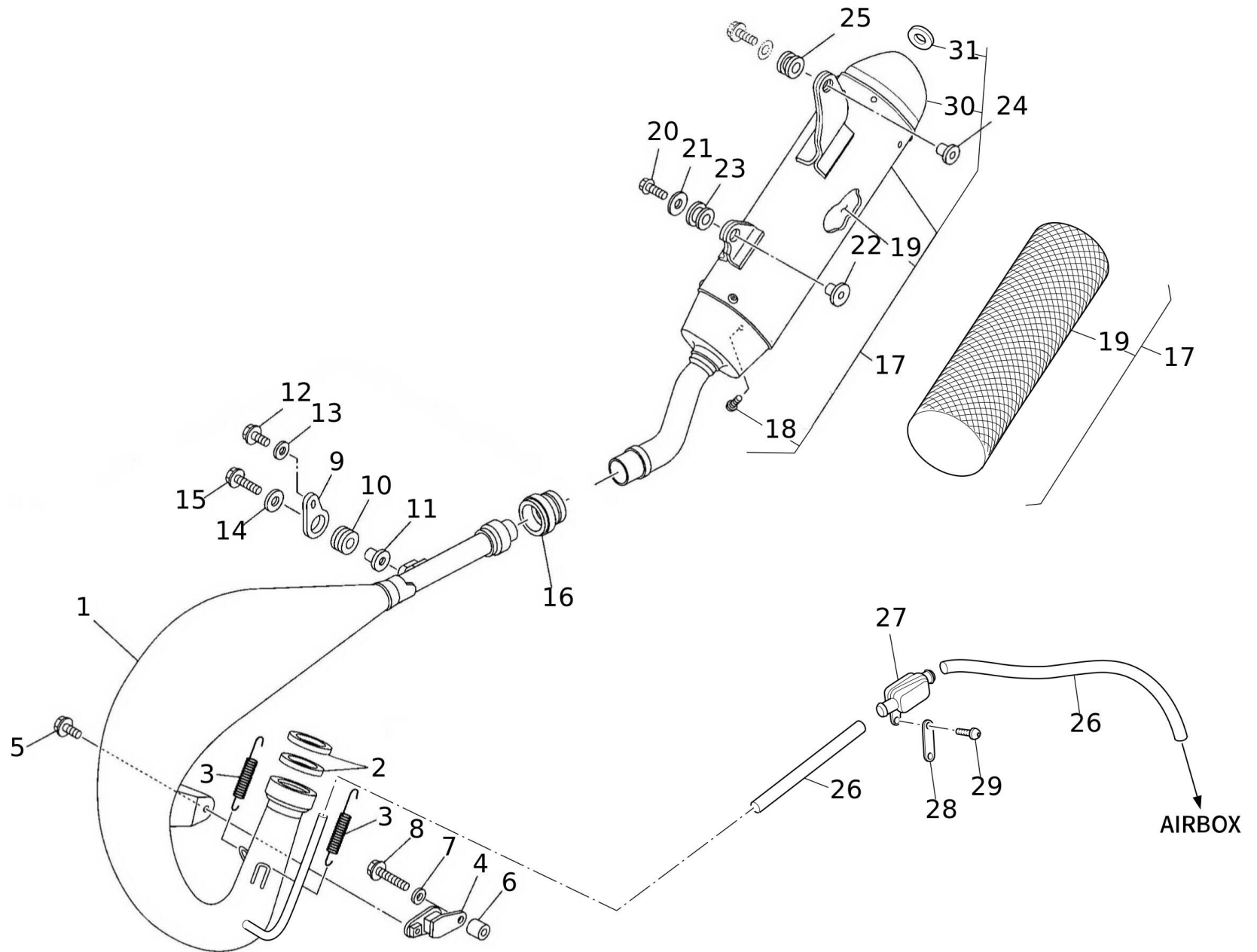
#	Code	Description	Specification	UM	Qty
1	05711005	RADIATOR ASSY		pz	1
2	05712005	DAMPER RADIATOR		pz	1
3	05713005	TUBO FLESSIBILE VINILE		pz	1
4	05714005	CLIP		pz	1
5	05715005	RADIATOR COMP		pz	1
6	05716005	CAP RADIATOR		pz	1
7	05712005	DAMPER RADIATOR		pz	1
8	05718005	HOSE 1		pz	1
9	05719005	TUBO 2		pz	1
10	05720005	HOSE 3		pz	1
11	05721005	TUBO 4		pz	1
12	05722005	HOSE CLAMP ASSY		pz	2
13	05723005	HOSE CLAMP ASSY		pz	4
14	05724005	HOSE CLAMP ASSY		pz	2
15	05725005	GROMMET		pz	6
16	05726005	COLLAR		pz	6
17	05727005	VITE M6X30 TE FLANGIATA		pz	6
18	05728005	WASHER PLATE		pz	6
19	05729005	BOLT FLANGE		pz	2



#	Code	Description	Specification	UM	Qty
1	06446005	FUEL TANK XX/XE		pz	1
2	06606005	FUEL TANK CAP XX/XE		pz	1
3	04082005	PIPE ROLLER BLACK		cm	1
4	07452005	T-JUNCTION 4 MM	XE	pz	4
5	NC450-0151	CANISTER NC450	XE	pz	1
6	06171005	HOLDER DAMPER		pz	2
7	06157005	BOLT FLANGE		pz	4
8	06173005	WASHER SPECIAL		pz	2
9	06174005	GROMMET		pz	2
10	06175005	BOLT		pz	2
11	06176005	BAND TANK FITTING 1		pz	1
12	00049005	SCREW-SOCKET CONVEX HEAD 6X40		pz	1
13	06178005	FUEL COCK ASSY 1	XX	pz	1
13	06194005	FUEL COCK ASSY 1	XE	pz	1
14	06179005	GASKET		pz	1
15	06180005	SEAL COCK		pz	1
16	06181005	SCREW PAN HEAD		pz	2
17	06182005	SCREW		pz	2
18	06183005	WASHER PLATE		pz	2
19	07412005	HOSE GREY COPOLAN UML 7 x 12		cm	1
20	06185005	CLIP		pz	2
21	06186005	BRACKET SEAT		pz	1
22	06187005	SCREW FLAT HEAD		pz	1
23	06188005	DAMPER LOCATING 1		pz	1
24	06189005	DAMPER LOCATING 2		pz	1
25	06190005	FASCETTA		pz	1
26	06191005	DAMPER LOCATING 3		pz	1
27	06192005	DAMPER LOCATING 4		pz	1
28	00807005	WASHER 6X12		pz	1
29	07435005	HOLDER	XE	pz	1

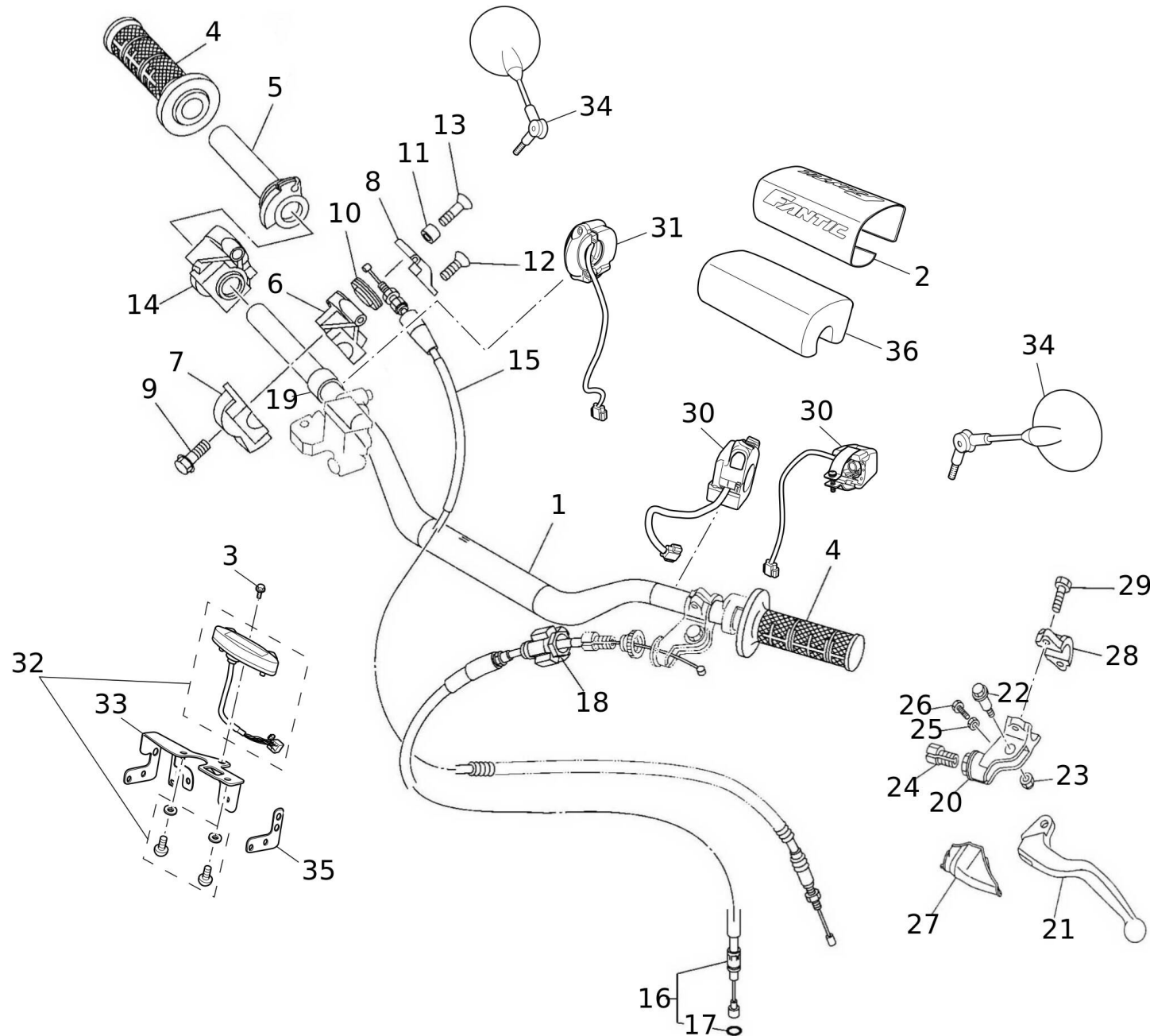


#	Code	Description	Specification	UM	Qty
1	05730005	REED VALVE ASSY		pz	1
2	05731005	REED VALVE		pz	2
3	05732005	STOPPER REED VALVE		pz	2
4	05733005	SCREW PAN HEAD		pz	6
5	05734005	WASHER		pz	6
6	05735005	SPACER REED VALVE		pz	1
7	05736005	JOINT CARBURETOR	XX	pz	1
7	07468005	MARKED JOINT CARBURETOR XE	XE	pz	1
8	05737005	BOLT FLANGE		pz	4
9	05738005	HOSE CLAMP ASSY		pz	1
10	05739005	HOSE CLAMP ASSY		pz	1
11	07461020	AIRBOX		pz	1
12	06566005	COLLAR		pz	1
13	06568005	NUT REAR FENDER		pz	1
14	06566005	COLLAR		pz	1
15	06568005	NUT REAR FENDER		pz	1
16	05745005	JOINT, AIR CLEANER 1		pz	1
17	05746005	HOLDER GUIDE		pz	1
18	05747005	HOSE CLAMP ASSY		pz	1
19	05748005	WASHER		pz	1
20	07406005	COVER - AIRBOX XE		pz	1
21	07411005	RIVET UNI 9200A 3X11 BLACK		pz	3
22	02544005	WASHER-GALVANIZED 3		pz	6
23	05752005	ELEMENT AIR CLEANER		pz	1
24	05753005	WASHER		pz	1
25	05754005	BOLT WING		pz	1
26	05755005	GUIDE	Accessory	pz	1
26	07382005	AIRBOX COVER XE125	STD XE	pz	1
27	05756005	GROMMET		pz	1
28	05757005	NUT SPRING		pz	2
29	05758005	BOLT FLANGE		pz	2
30	06549005	WHOLE ENGINE 125 2T	XX	pz	1
30	07690005	MOTOR	XE	pz	1



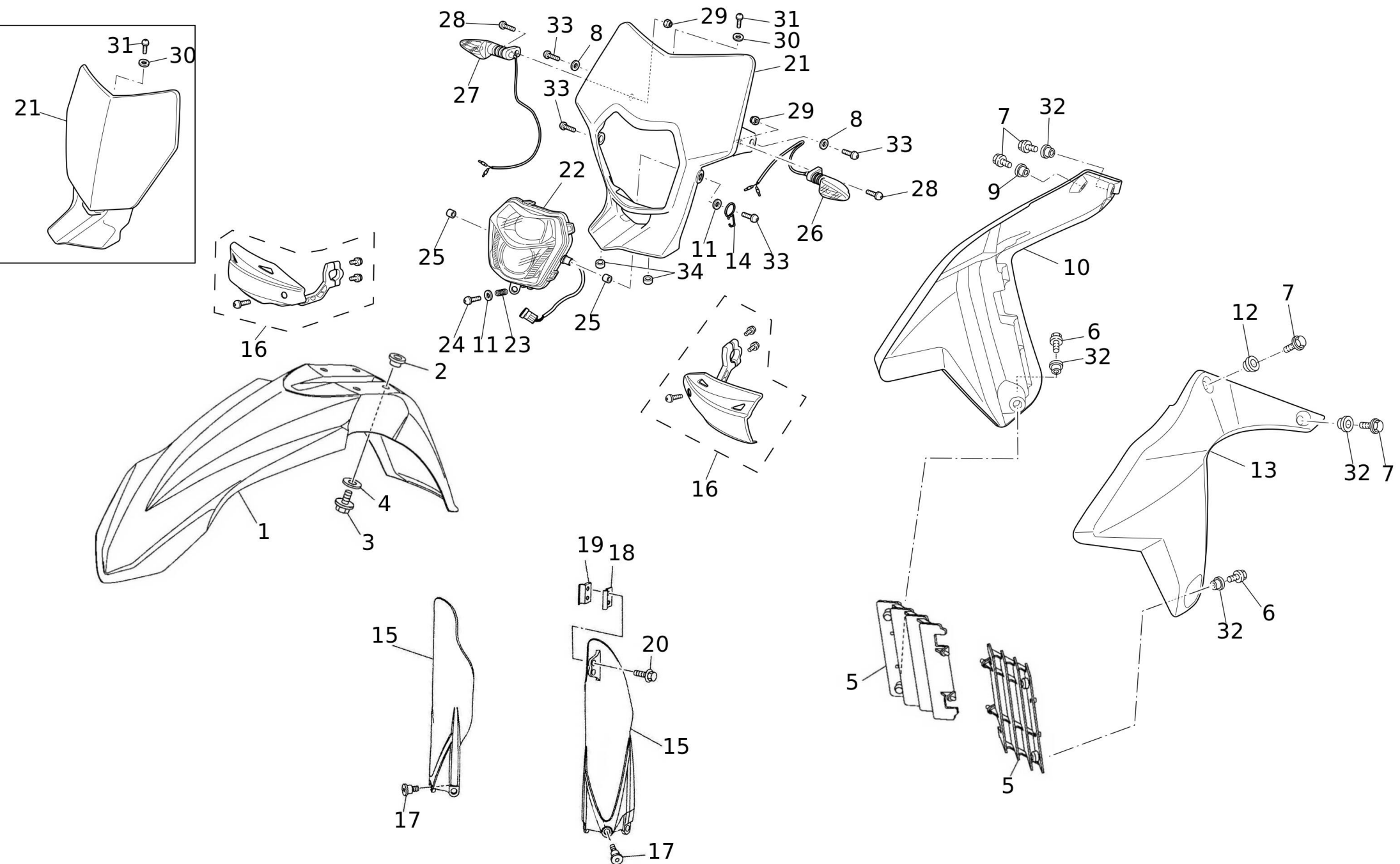
#	Code	Description	Specification	UM	Qty
1	07614005	EXHAUST XE125 2T EURO5 HOMOLOGATED	STD XE	pz	1
1	07653005	EXHAUST XX/XE 125 2T	Accessory XE	pz	1
2	07457005	O RING 45x3.5 FMP		pz	2
3	05827005	SPRING TENSION		pz	2
4	05828005	STAY MUFFLER 1		pz	1
5	05829005	BOLT FLANGE		pz	1
6	05830005	WASHER		pz	1
7	05831005	WASHER PLATE		pz	1
8	05710005	BOLT FLANGE		pz	1
9	05833005	STAY MUFFLER 2		pz	1
10	05834005	GROMMET		pz	1
11	05835005	COLLAR		pz	1
12	05836005	BOLT FLANGE		pz	1
13	05837005	WASHER PLATE		pz	1
14	05838005	WASHER PLATE		pz	1
15	05710005	BOLT FLANGE		pz	1
16	05840005	JOINT EXHAUST		pz	1
17	07654005	SILENCER XE 125 2T ENDURO	XE	pz	1
17	07655005	SILENCER XX 125 2T CROSS	XX	pz	1
18	07465005	SCREWES		pz	4
19	07463005	SOUND ABSORBENT	XX	pz	1
19	07464005	SOUND ABSORBENT	XE	pz	1
20	05844005	VITE M6X30 TE FLANGIATA		pz	1
21	05845005	WASHER PLATE		pz	1
22	05846005	COLLAR		pz	1
23	05847005	GROMMET		pz	1
24	05848005	COLLAR		pz	1
25	05849005	GROMMET		pz	1
26	04143005	SILICONE TUBE 10X16	XE	cm	1
27	00043005	AIS VALVE	XE	pz	1
28	07454005	AIS BRACKET	XE	pz	1
29	00582005	VITE 6X12 TBB UNI 7380	XE	pz	1
30	07409005	CAP SILENCER XE		pz	1
31	07456005	GASKET		pz	1



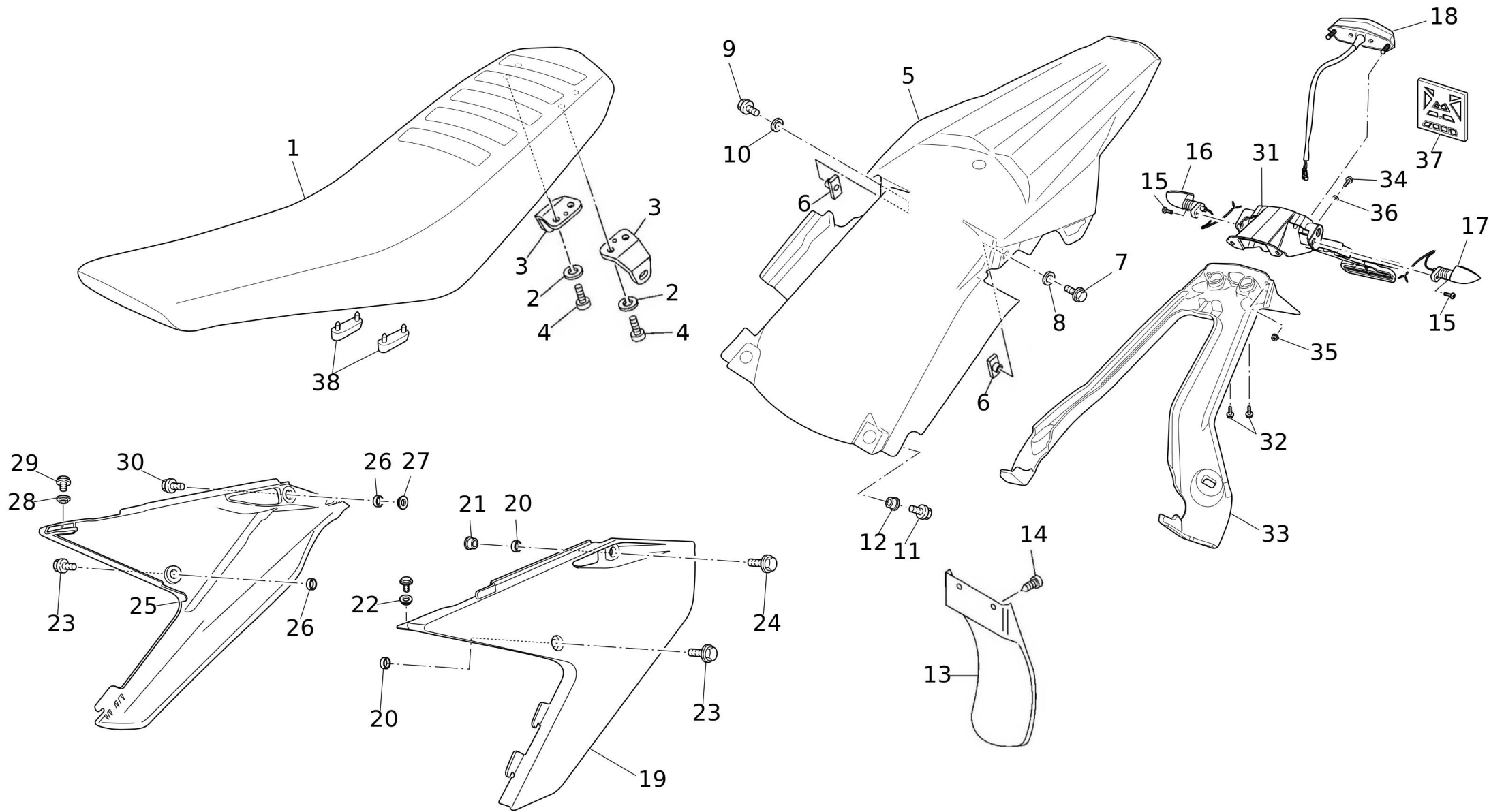




#	Code	Description	Specification	UM	Qty
1	06293005	HANDLEBAR		pz	1
2	07403005	BAR PAD COVER XX/XE		pz	1
3	07433005	VITE 6X10 TE FLANGIATA		pz	1
4	07437005	OFF-ROAD KNOB PAIR		pz	1
5	06297005	TUBE THROTTLE GUIDE		pz	1
6	06298005	CAP GRIP UPPER		pz	1
7	06299005	CAP GRIP UNDER		pz	1
8	06300005	CAP WIRE		pz	1
9	06301005	BOLT FLANGE		pz	2
10	06302005	ROTOR		pz	1
11	06303005	COLLAR		pz	1
12	06304005	SCREW OVAL HEAD		pz	1
13	06305005	SCREW OVAL HEAD		pz	1
14	06306005	COVER CAP GRIP		pz	1
15	06307005	CABLE THROTTLE 1		pz	1
16	06308005	CABLE CLUTCH		pz	1
17	06309005	O-RING		pz	1
18	06310005	BOOT CABLE		pz	1
19	06311005	COLLAR		pz	1
20	06377005	HOLDER LEVER 1		pz	1
21	06378005	LEVER 1		pz	1
22	06379005	BOLT		pz	1
23	06380005	NUT LENS FITTING		pz	1
24	06381005	VITE DI REGOLAZIONE		pz	1
25	06382005	NUT HEXAGON		pz	1
26	06383005	BOLT		pz	1
27	06384005	COVER HANDLE LEVER 1		pz	1
28	06385005	HOLDER LEVER LOWER 1		pz	1
29	05737005	BOLT FLANGE		pz	2
30	06531005	LEFT LIGHTS SWITCH E5	XE	pz	1
31	06387005	SWITCH HANDLE 1	XX	pz	1
31	07663005	ENGINE KILL SWITCH (RIGHT)	XE	pz	1
32	07660005	KOSO DB EX-02 METER	XE	pz	1
33	07396005	TACHYMETER SUPPORTING BRACKET XE	XE	pz	1
34	07407005	REAR-VIEW MIRROR E-141 WITH IRON CLAMP	XE	pz	2
35	07414005	BRACKET HEADLIGHT FAIRING XE	XE	pz	1
36	07470005	HANDLEBAR REINFORCEMENT		pz	1

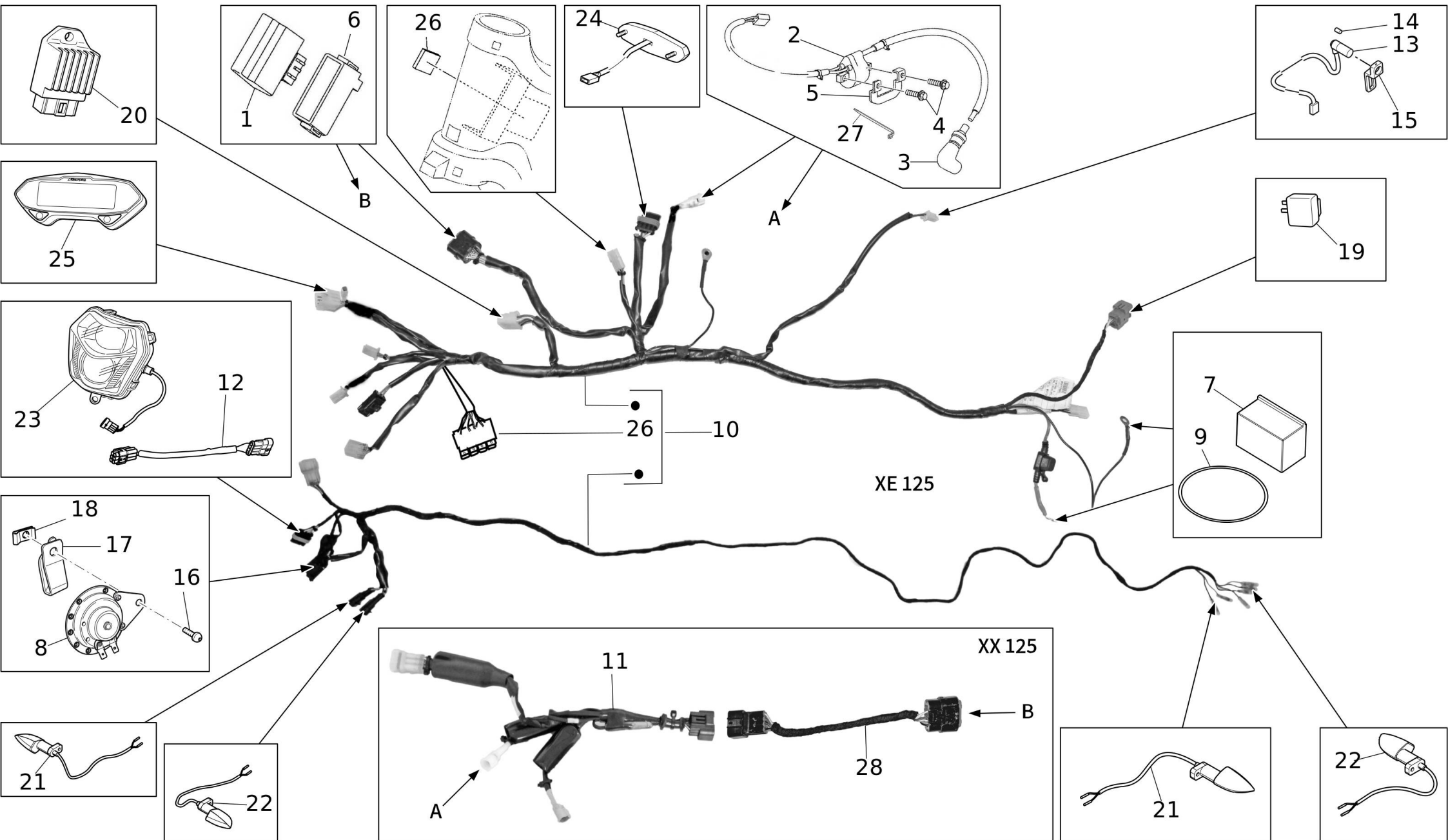


#	Code	Description	Specification	UM	Qty
1	05598005	FRONT FENDER OFF-ROAD WHITE		pz	1
2	06597005	COLLAR		pz	4
3	06598005	BOLT FLANGE		pz	4
4	06599005	WASHER PLATE		pz	4
5	06030005	PANEL 1		pz	2
6	06565005	SCREW WITH WASHER		pz	2
7	06564005	BOLT FLANGE		pz	4
8	00340005	WASHER-SPACE	XE	pz	2
9	06562005	COLLAR		pz	1
10	06485005	RIGHT SPOILER XX/XE 2T		pz	1
11	00807005	WASHER 6X12	XE	pz	2
12	06562005	COLLAR		pz	1
13	06484005	LEFT SPOILER XX/XE		pz	1
14	07460005	FAIRLEAD		pz	1
15	07662005	FORK SLIDER PROTECTORS (PAIR)		pz	1
16	02163005	HANDGUARD (WHITE) WITHOUT STICKER	XE	pz	1
17	06161005	BOLT		pz	6
18	06162005	CLAMP		pz	1
19	06163005	CLAMP		pz	1
20	05758005	BOLT FLANGE		pz	2
21	07656005	FRONT PLATE NUMBER OFF-ROAD	XX	pz	1
21	07659005	HEADLIGHT FAIRING XE/XEF	XE	pz	1
22	05466005	LED HEADLIGHT XE/XEF	XE	pz	1
23	07467005	SPRING	XE	pz	1
24	00049005	SCREW-SOCKET CONVEX HEAD 6X40	XE	pz	1
25	07694005	BUSHING	XE	pz	2
26	05120005	DIRECTION INDICATOR FRONT RH / REAR LH	XEF XE	pz	1
27	05121005	DIRECTION INDICATOR FRONT LH / REAR RH	XEF XE	pz	1
28	00042005	SCREW-FLANGED 5X16	XE	pz	2
29	00267005	DADO M5 AUTOBLOCC. BASSO	XE	pz	2
30	04686005	RONDELLA M6 CON COLLARINO H3	XX	pz	1
31	07433005	VITE 6X10 TE FLANGIATA	XX	pz	1
32	07455005	BUSHING		pz	4
33	02540005	SCREW-SOCKET CONVEX HEAD 6X16		pz	4
34	07389005	PVC FAIRLEAD KB 8-10-14-4 BLACK	XE	pz	2



#	Code	Description	Specification	UM	Qty
1	06540005	SEAT XX/XE		pz	1
2	06557005	WASHER SPRING		pz	4
3	06555005	BRACKET SEAT		pz	2
4	06556005	BOLT		pz	4
5	06498005	REAR FENDER XX/XE	XX	pz	1
5	07385005	REAR FENDER XX/XE	XE	pz	1
6	06568005	NUT REAR FENDER	XX	pz	2
7	03549005	SCREW	XX	pz	1
7	06569005	BOLT FLANGE	XE	pz	1
8	00058005	WASHER 6X18	XX	pz	1
8	06570005	WASHER PLATE	XE	pz	1
9	03549005	SCREW	XX	pz	1
9	06571005	VITE M6X30 TE FLANGIATA	XE	pz	1
10	00058005	WASHER 6X18	XX	pz	1
10	05838005	WASHER PLATE	XE	pz	1
11	06573005	BOLT WITH WASHER		pz	2
12	06562005	COLLAR		pz	2
13	08063005	GUARD FLAP		pz	1
14	06600005	SCREW TAPPING		pz	2
15	00042005	SCREW-FLANGED 5X16	XE	pz	2
16	05121005	DIRECTION INDICATOR FRONT LH / REAR RH	XE XEF	pz	1
17	05120005	DIRECTION INDICATOR FRONT RH / REAR LH	XE XEF	pz	1
18	05113005	TAILLIGHT WITH LED LICENSE PLATE LIGHT	XE	pz	1
19	06494005	LEFT SIDE REAR COVER XX/XE		pz	1
20	06558005	COLLAR		pz	1
21	06559005	COLLAR		pz	1
22	06973005	GROMMET		pz	2
23	06560005	BOLT		pz	1
24	06561005	BOLT WITH WASHER		pz	1
25	06495005	RIGHT SIDE REAR COVER XX/XE		pz	1
26	06558005	COLLAR		pz	1
27	06559005	COLLAR		pz	1
28	06973005	GROMMET		pz	1
29	06560005	BOLT		pz	1
30	06561005	BOLT WITH WASHER		pz	1
31	07388005	LICENSE PLATE HOMOLOGATED HOLDER XE/XEF	XE	pz	1
32	04203005	SCREW 5X16	XE	pz	3
32	07458005	SCREW	XE	pz	3

#	Code	Description	Specification	UM	Qty
33	07387005	LICENSE PLATE HOLDER XE	XE	pz	1
34	00042005	SCREW-FLANGED 5X16	XE	pz	3
35	00267005	DADO M5 AUTOBLOCC. BASSO	XE	pz	3
36	00056005	WASHER 5X10	XE	pz	3
37	07474005	PLATE	Accessory XE	pz	1
38	07469005	GROMMET		pz	2



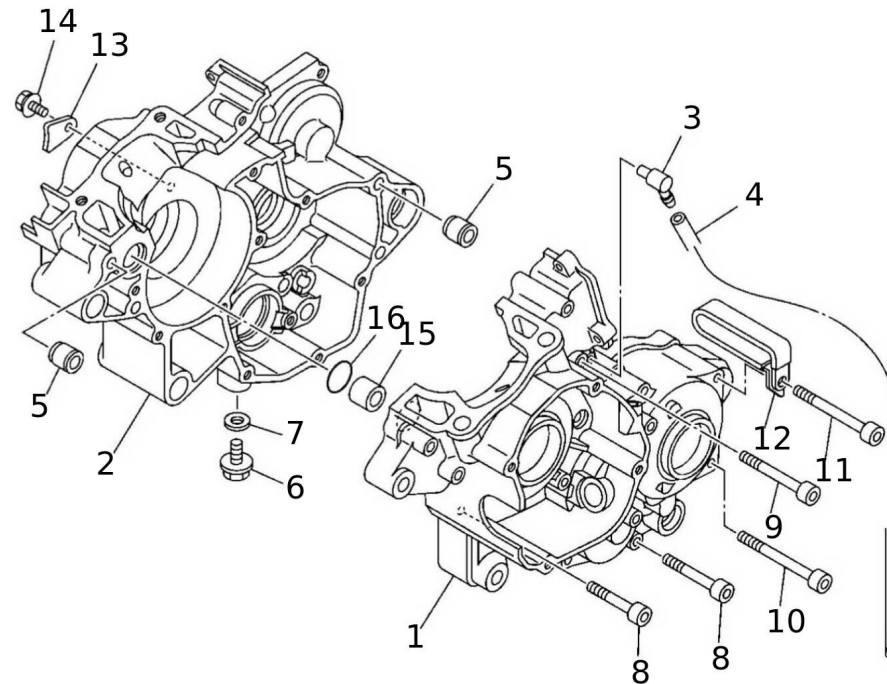
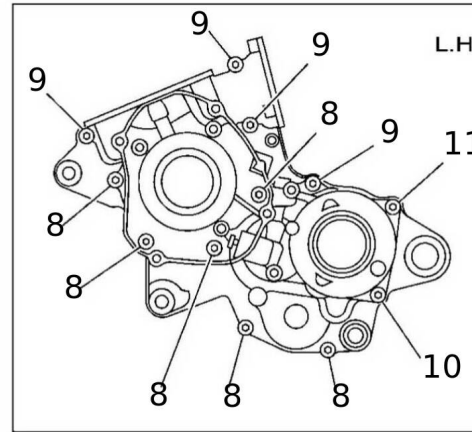


#	Code	Description	Specification	UM	Qty
1	V0157020	CDI XX125 MY21	XX	pz	1
1	V0158020	CDI XE125 MY21	XE	pz	1
2	06400005	IGNITION COIL ASSY		pz	1
3	06391005	PIPETTA CANDELA		pz	1
4	06392005	BOLT FLANGE		pz	2
5	06393005	CORE SIDE		pz	1
6	07410005	GROMMET		pz	1
7	00798005	MAINTENANCE-FREE 3 AH BATTERY	XE	pz	1
8	07436005	ADAPTER WIRE XX125	XX	pz	1
9	00998005	O RING BATTERY	XE	pz	1
10	06612005	WIRING XE125	XE	pz	1
11	06398005	WIRE HARNESS ASSY	XX	pz	1
12	07473005	ADAPTER	Accessory XE	pz	1
13	02524005	SENSOR ODOMETER VAPOR 2T	XE	pz	1
14	07447005	MAGNET SPEED SENSOR XE	XE	pz	1
15	07453005	SPEED SENSOR BRACKET	XE	pz	1
16	00898005	SWINGARM USD BEEPER	XE	pz	1
17	07397005	HORN SUPPORTING BRACKET XE	XE	pz	1
18	00070005	GRAFFETTA METALLICA 6X24	XE	pz	1
19	01199005	FLASHER RELAY (TURN SIGNAL RELAY) 10W	XE	pz	1
20	07425005	VOLTAGE REGULATOR XE	XE	pz	1
21	05120005	DIRECTION INDICATOR FRONT RH / REAR LH	XE XEF	pz	1
22	05121005	DIRECTION INDICATOR FRONT LH / REAR RH	XE XEF	pz	1
23	05466005	LED HEADLIGHT XE/XEF	XE	pz	1
24	05113005	TAILLIGHT WITH LED LICENSE PLATE LIGHT	XE	pz	1
25	07660005	KOSO DB EX-02 METER	XE	pz	1
26	05457005	RELAY		pz	1

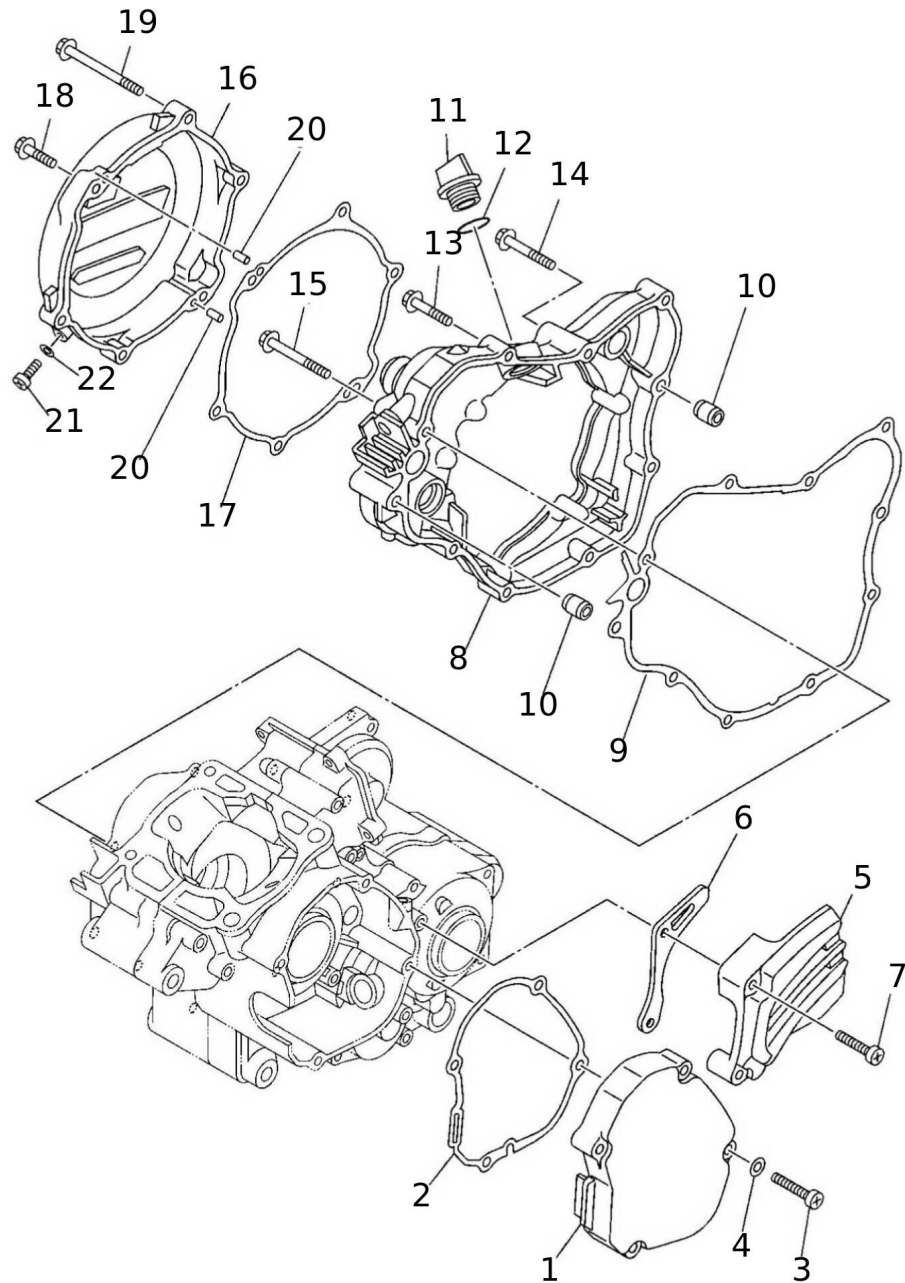




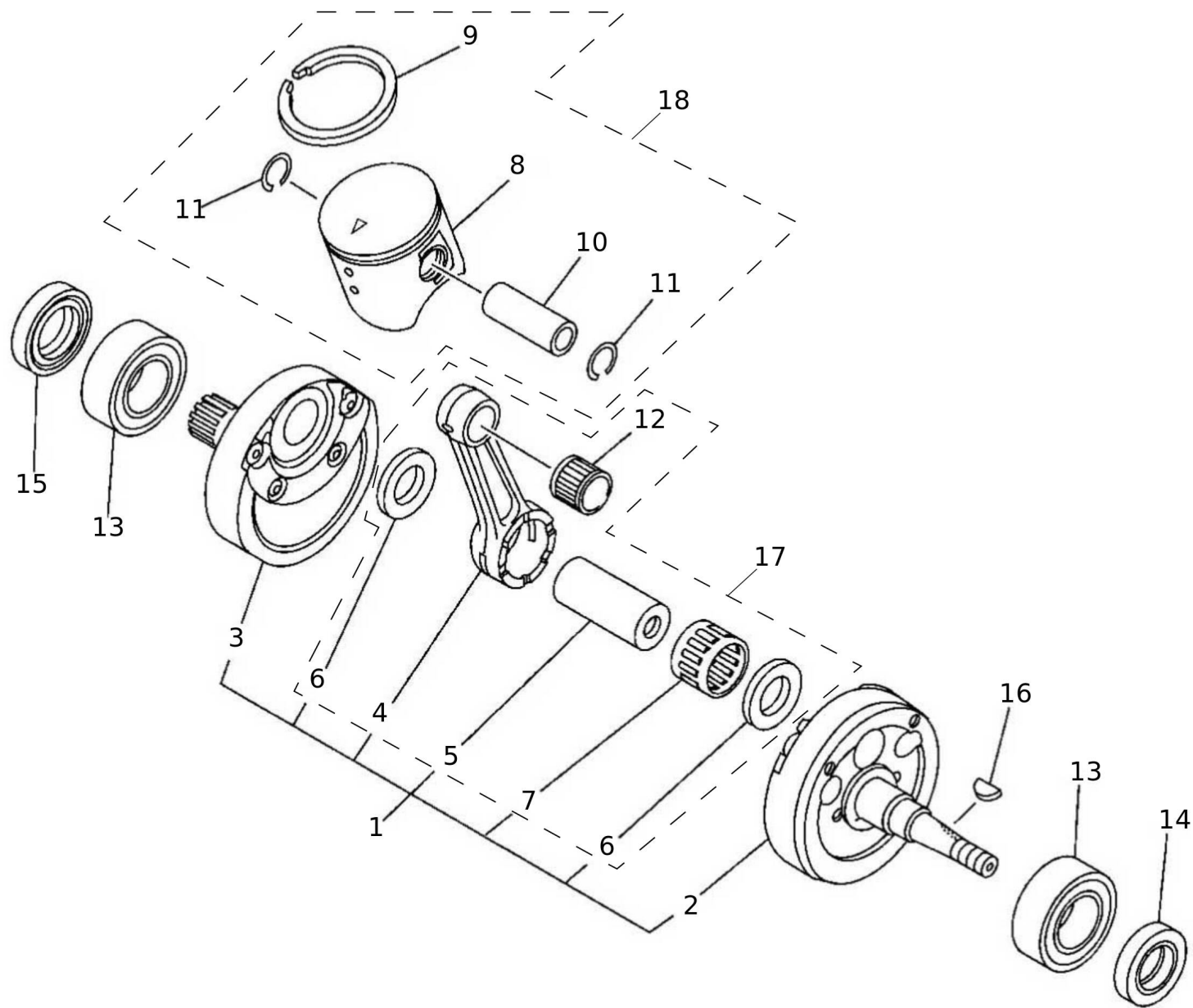
#	Code	Description	Specification	UM	Qty
1	07446005	SERVICE MANUAL XE125		pz	1
2	07438005	ADHESIVE SET	XE	pz	1
2	07439005	STICKER SET XX125 MY21	XX	pz	1
3	04311005	AMBER CURVED PERFORMANCE REFLECTOR	XE	pz	2
4	03990005	RED RECTANGULAR REFLECTOR	XE	pz	1
5	07441005	ADHESIVE	XE	pz	1



#	Code	Description	Specification	UM	Qty
1	05850005	CRANKCASE 1		pz	1
2	05851005	CRANKCASE 2		pz	1
3	05852005	CONNECTOR SUCTION PIPE		pz	1
4	05853005	HOSE		pz	1
5	05854005	PIN, DOWEL		pz	2
6	05855005	BOLT FLANGE		pz	1
7	05856005	GASKET		pz	1
8	05857005	BOLT HEXAGON SOCKET HEAD		pz	6
9	05858005	BOLT HEXAGON SOCKET HEAD		pz	4
10	05859005	BOLT HEXAGON SOCKET HEAD		pz	1
11	05860005	BOLT HEXAGON SOCKET HEAD		pz	1
12	05861005	GUIDE, CABLE		pz	1
13	05862005	HOLDER		pz	1
14	05863005	BOLT FLANGE		pz	1
15	05864005	PIN, DOWEL		pz	1
16	05865005	O-RING		pz	1



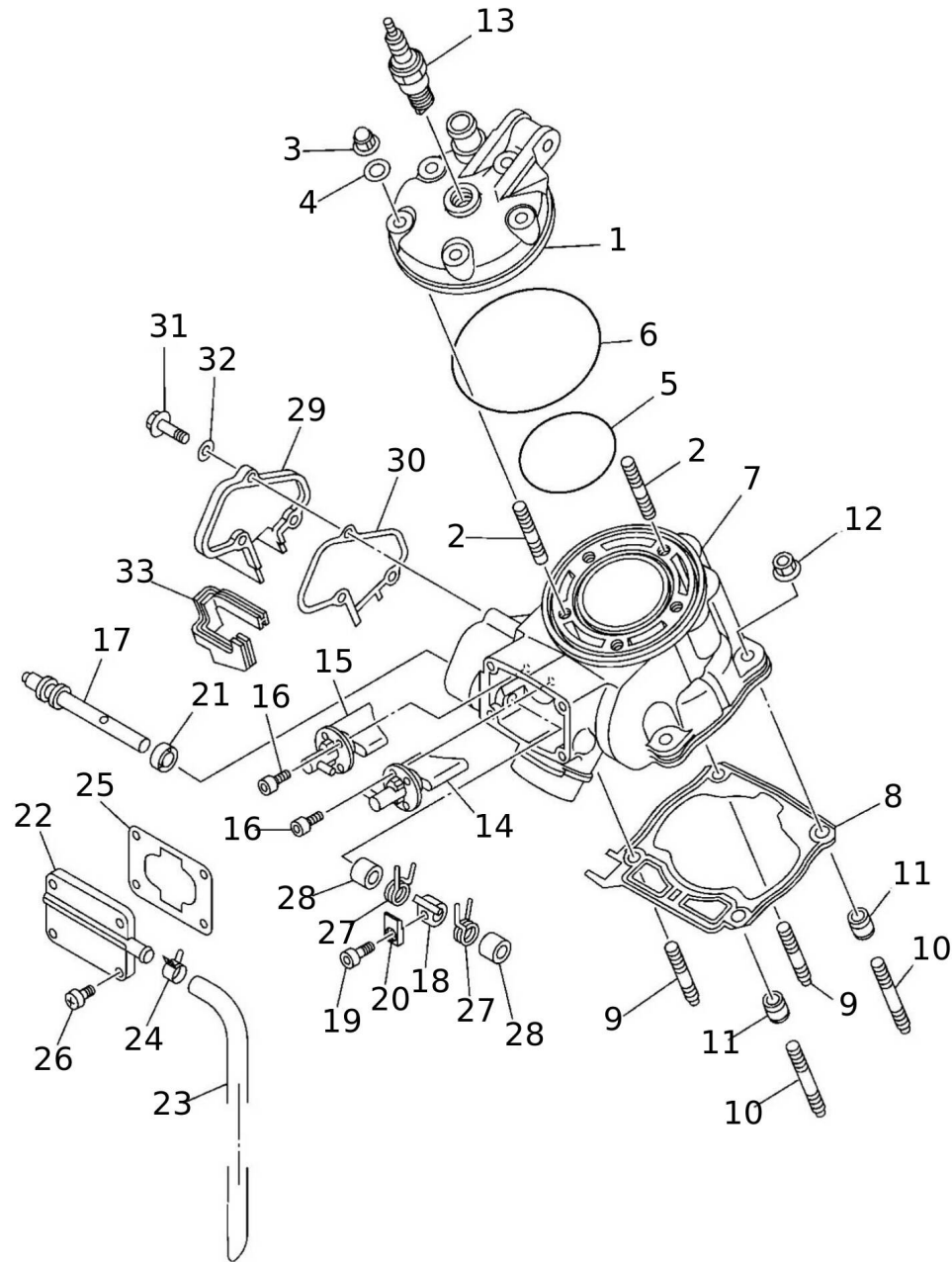
#	Code	Description	Specification	UM	Qty
1	05866005	LEFT CRANKCASE COVER		pz	1
2	05867005	GASKET CRANKCASE COVER LEFT		pz	1
3	05868005	SCREW PAN HEAD		pz	4
4	05869005	WASHER PLATE		pz	4
5	05870005	COVER CRANKCASE 2		pz	1
6	05871005	GUIDA CATENA		pz	1
7	05872005	SCREW PAN HEAD		pz	2
8	05873005	RIGHT CRANKCASE COVER		pz	1
9	05874005	GASKET CRANKCASE COVER RIGHT		pz	1
10	05875005	PIN DOWEL		pz	2
11	05876005	PLUG OIL		pz	1
12	05877005	O-RING		pz	1
13	05844005	VITE M6X30 TE FLANGIATA		pz	6
14	05879005	BOLT FLANGE		pz	1
15	05880005	BOLT FLANGE		pz	1
16	07462005	COVER CLUTCH		pz	1
17	05882005	GASKET CRANKCASE COVER		pz	1
18	05709005	BOLT FLANGE		pz	1
19	05710005	BOLT FLANGE		pz	5
20	05708005	PIN DOWEL		pz	2
21	05886005	BOLT BUTTON HEAD		pz	1
22	05705005	GASKET		pz	1



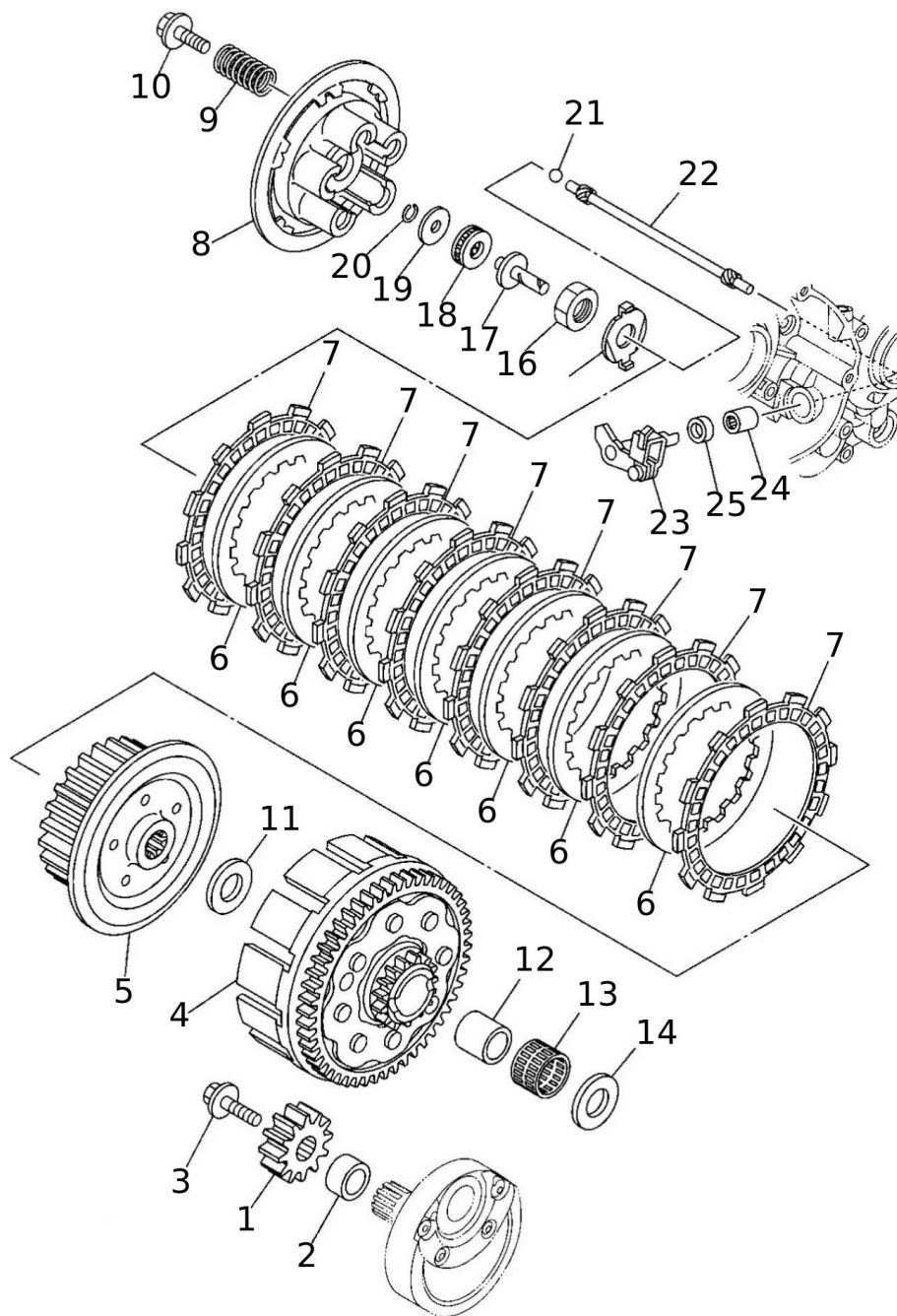


#	Code	Description	Specification	UM	Qty
1	05675005	CRANKSHAFT ASSY		pz	1
2	05676005	CRANKSHAFT ASSY		pz	1
3	05677005	CRANKSHAFT ASSY		pz	1
4	05678005	ROD CONNECTING		pz	1
5	05679005	PIN CRANK		pz	1
6	05680005	WASHER		pz	2
7	05681005	BEARING		pz	1
8	05682005	PISTON (STD)	RED	pz	1
8	05683005	PISTON (STD)	ORANGE	pz	1
8	05684005	PISTON (STD)	GREEN	pz	1
8	05685005	PISTON (STD)	PURPLE	pz	1
9	05686005	RING PISTON		pz	1
10	05687005	PIN, PISTON		pz	1
11	05688005	CIRCLIP		pz	2
12	05689005	BEARING		pz	1
13	05690005	BEARING		pz	2
14	05691005	OIL SEAL		pz	1
15	05692005	OIL SEAL		pz	1
16	05693005	KEY, WOODRUFF		pz	1
17	06429005	CONNECTING ROD ASSY		pz	1
18	06424005	PISTON ASSY (STD)	ORANGE	pz	1

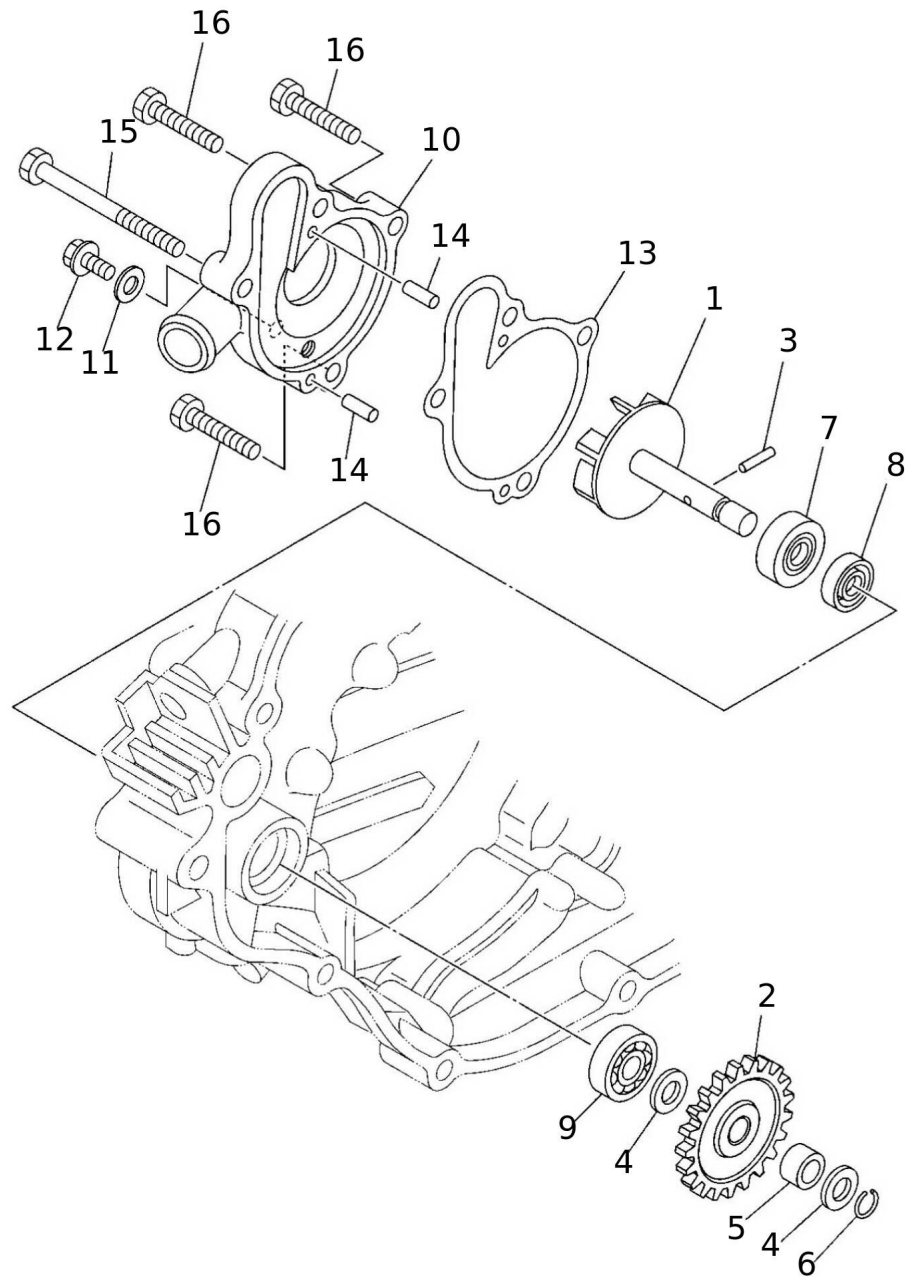




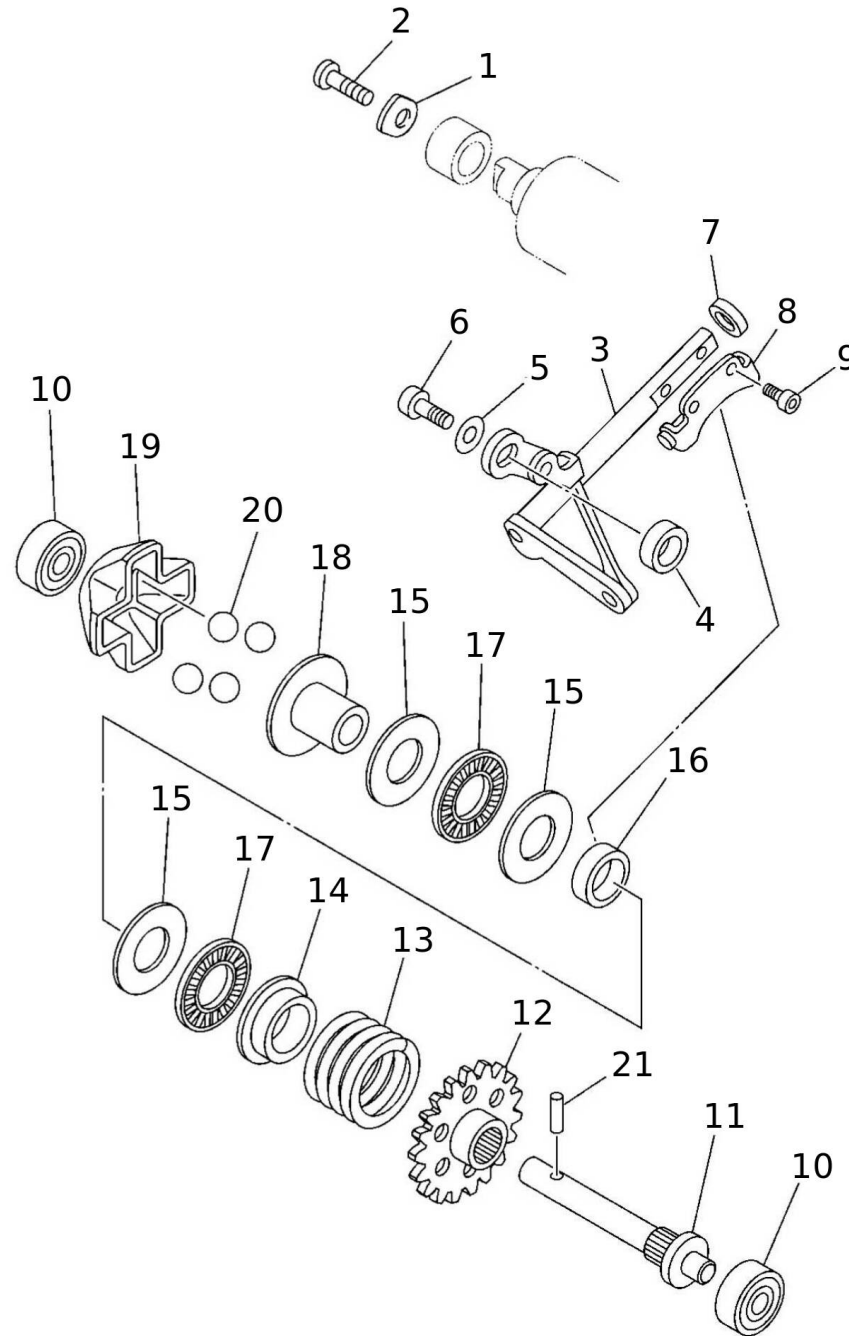
#	Code	Description	Specification	UM	Qty
1	05616005	HEAD CYLINDER	XX	pz	1
1	05649005	CYLINDER HEAD ASSY	XE	pz	1
2	05617005	BOLT, STUD		pz	5
3	05618005	NUT CROWN		pz	5
4	05619005	WASHER PLATE		pz	5
5	05620005	O-RING		pz	1
6	05621005	O-RING		pz	1
7	05622005	CYLINDER B	Type B	pz	1
8	05623005	GASKET CYLINDER		pz	1
9	05624005	BOLT STUD		pz	2
10	05625005	BOLT STUD		pz	2
11	05626005	PIN DOWEL		pz	2
12	05627005	NUT		pz	4
13	05628005	PLUG SPARK (NGK BR9EVX)		pz	1
14	05629005	VALVE ASSY	XX	pz	1
14	05650005	VALVE ASSY	XE	pz	1
15	05630005	VALVE ASSY 2	XX	pz	1
15	05651005	VALVE ASSY 2	XE	pz	1
16	05631005	BOLT HEXAGON SOCKET HEAD		pz	4
17	05632005	SHAFT		pz	1
18	05633005	LEVER LINK		pz	1
19	05634005	BOLT SOCKET		pz	1
20	05635005	HOLDER		pz	1
21	05636005	OIL SEAL		pz	1
22	05637005	COVER		pz	1
23	05638005	PIPE BREATHER		pz	1
24	05639005	CLIP		pz	1
25	05640005	GASKET		pz	1
26	05641005	SCREW BIND		pz	4
27	05642005	SPRING, TORSION		pz	2
28	05643005	COLLAR		pz	2
29	05644005	HOUSING 1		pz	1
30	05645005	GASKET		pz	1
31	05646005	BOLT		pz	3
32	05647005	WASHER PLATE		pz	3
33	05648005	SEAL HOUSING		pz	1



#	Code	Description	Specification	UM	Qty
1	05906005	GEAR, PRIMARY DRIVE		pz	1
2	05907005	COLLAR		pz	1
3	05908005	BOLT FLANGE		pz	1
4	05909005	GEAR PRIMARY DRIVEN		pz	1
5	05910005	BOSS, CLUTCH		pz	1
6	05911005	PLATE CLUTCH 2		pz	7
7	05912005	PLATE FRICTION		pz	8
8	05913005	PLATE PRESSURE 1		pz	1
9	05914005	SPRING, COMPRESSION		pz	5
10	05915005	SCREW WITH WASHER		pz	5
11	05916005	WASHER		pz	1
12	05917005	WASHER		pz	1
13	05918005	BEARING		pz	1
14	05916005	WASHER		pz	1
15	05920005	WASHER LOCK		pz	1
16	05921005	NUT		pz	1
17	05922005	ROD, PUSH 1		pz	1
18	05923005	BEARING		pz	1
19	05924005	WASHER		pz	1
20	05699005	CIRCLIP		pz	1
21	05926005	BALL		pz	1
22	05927005	ROD, PUSH 2		pz	1
23	05928005	PUSH LEVER ASSY		pz	1
24	05929005	BEARING		pz	1
25	05930005	OIL SEAL		pz	1

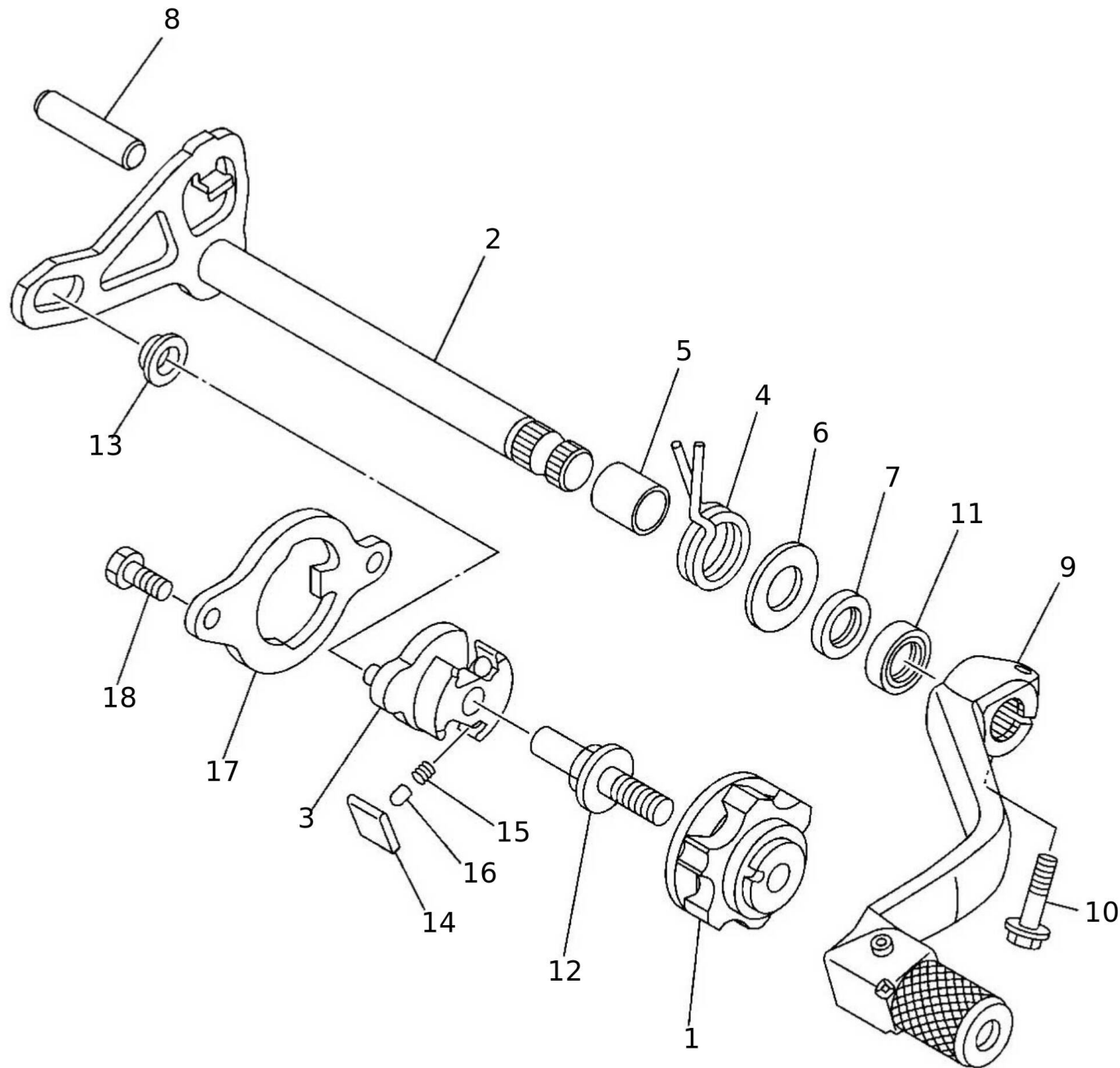


#	Code	Description	Specification	UM	Qty
1	05694005	IMPELLER SHAFT ASSY		pz	1
2	05695005	GEAR IMPELLER SHAFT		pz	1
3	05696005	PIN DOWEL		pz	1
4	05697005	WASHER		pz	2
5	05698005	COLLAR		pz	1
6	05699005	CIRCLIP		pz	1
7	05700005	OIL SEAL		pz	1
8	05701005	OIL SEAL		pz	1
9	05661005	BEARING		pz	1
10	05704005	COVER HOUSING		pz	1
11	05705005	GASKET		pz	1
12	05706005	BOLT FLANGE		pz	1
13	05707005	GASKET HOUSING COVER 2		pz	1
14	05708005	PIN DOWEL		pz	2
15	05709005	BOLT FLANGE		pz	1
16	05710005	BOLT FLANGE		pz	3

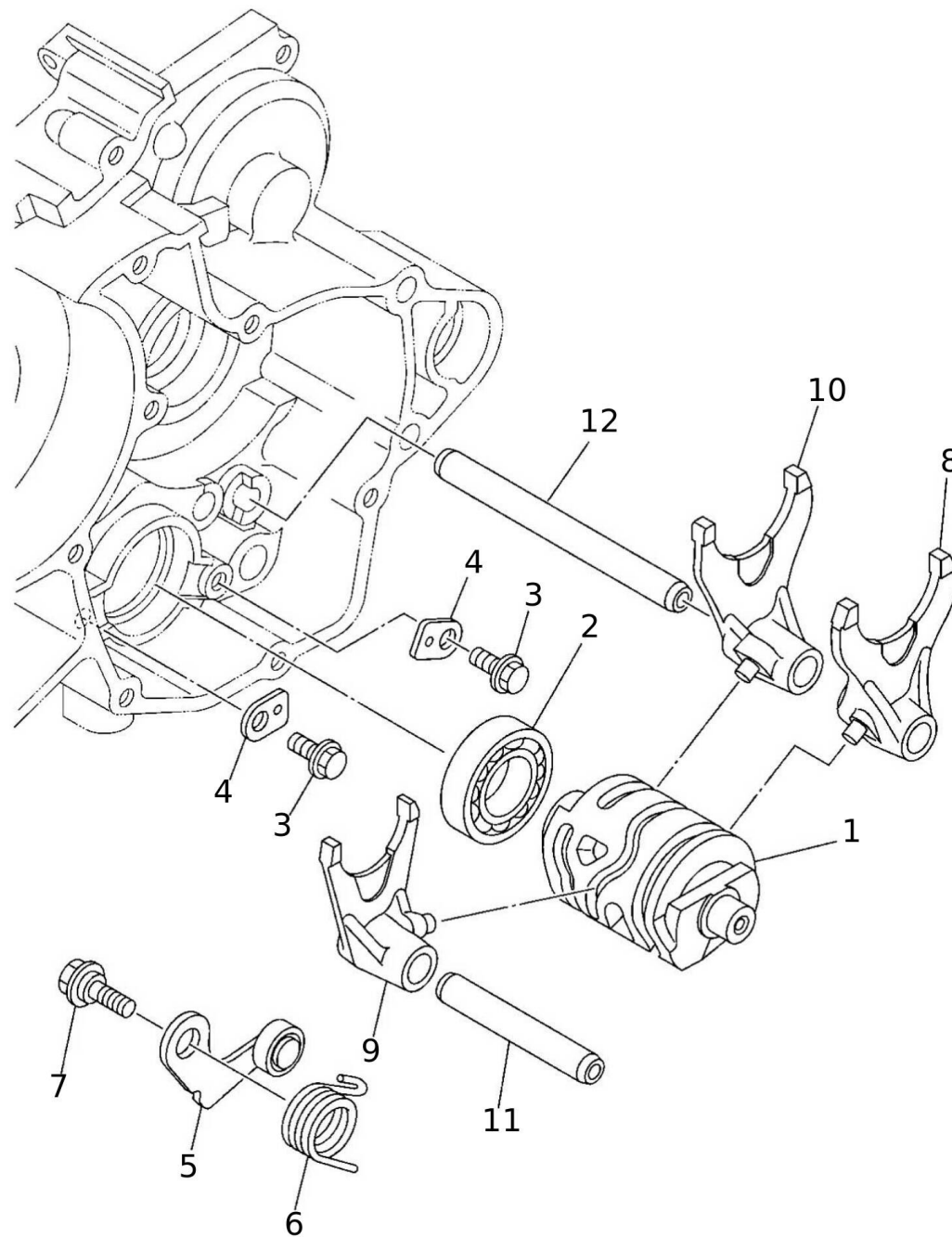


#	Code	Description	Specification	UM	Qty
1	05652005	PLATE		pz	1
2	05653005	SCREW PAN HEAD		pz	1
3	05654005	PUSH ROD ASSY		pz	1
4	05655005	COLLAR		pz	1
5	05656005	WASHER PLATE		pz	1
6	05657005	BOLT		pz	1
7	05636005	OIL SEAL		pz	1
8	05659005	FORK GOVERNOR		pz	1
9	05660005	BOLT HEXAGON SOCKET HEAD		pz	2
10	05661005	BEARING		pz	2
11	05662005	SHAFT GOVERNOR		pz	1
12	05663005	GEAR GOVERNOR		pz	1
13	05664005	SPRING, COMPRESSION	XX	pz	1
13	05674005	SPRING, COMPRESSION	XE	pz	1
14	05665005	COLLAR		pz	1
15	05666005	WASHER		pz	3
16	05667005	RING		pz	1
17	05668005	BEARING		pz	2
18	05669005	COLLAR		pz	1
19	05670005	HOLDER		pz	1
20	05671005	BALL		pz	4
21	05672005	PIN DOWEL		pz	1

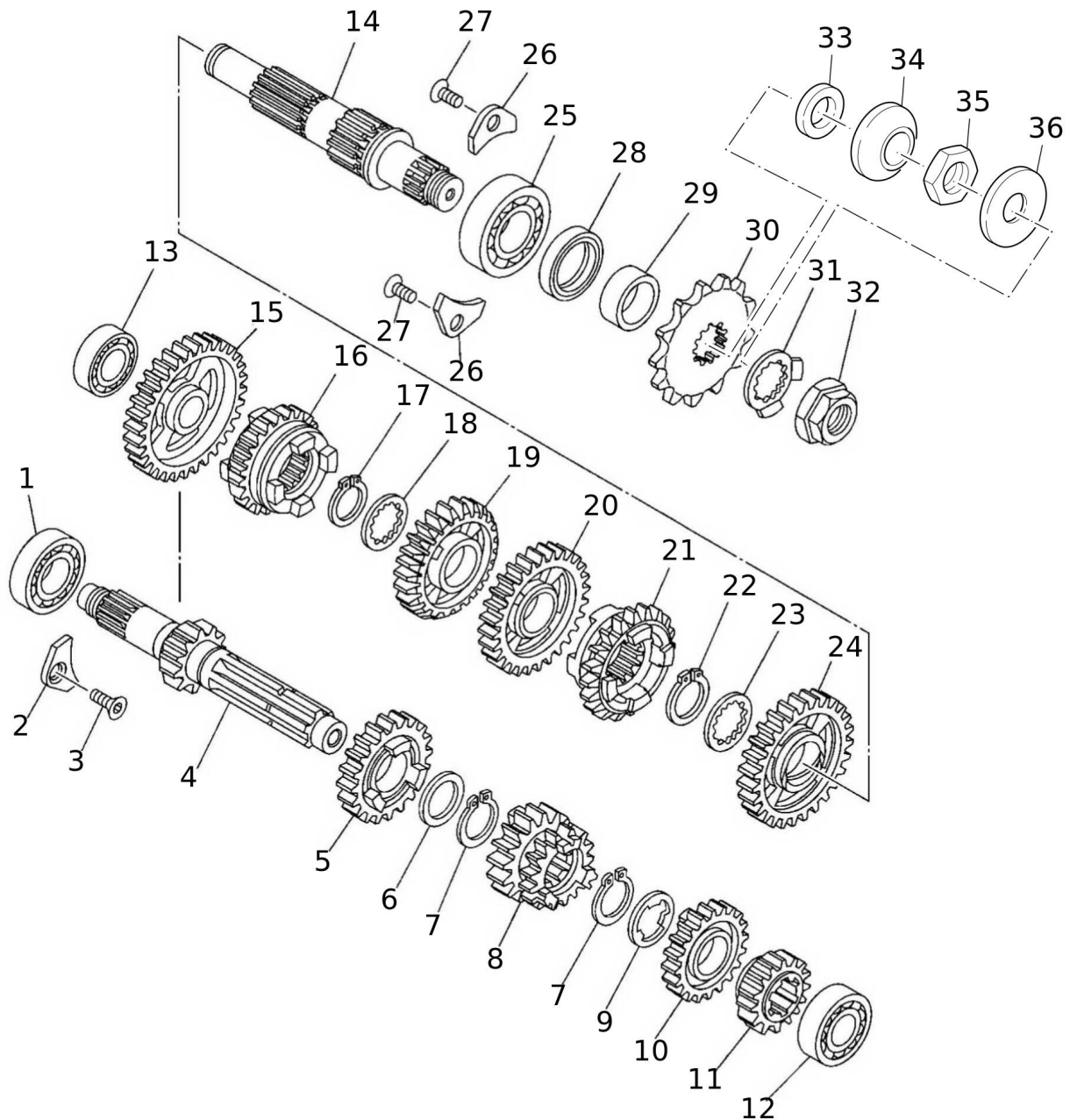




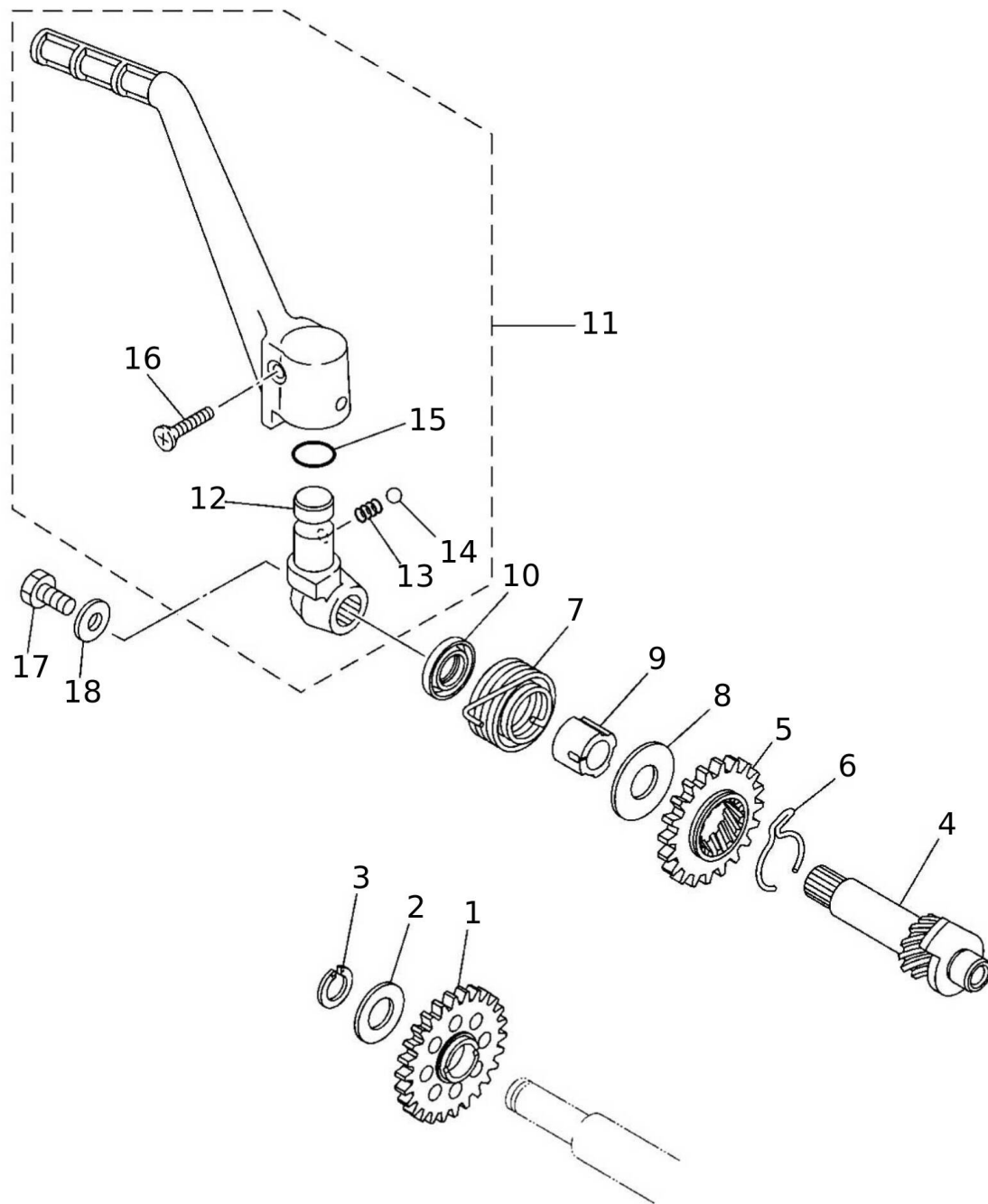
#	Code	Description	Specification	UM	Qty
1	05975005	SEGMENT		pz	1
2	05976005	SHIFT SHAFT ASSY		pz	1
3	05977005	LEVER SHIFT		pz	1
4	05978005	SPRING, TORSION		pz	1
5	05979005	WASHER		pz	1
6	05980005	WASHER		pz	1
7	05981005	OIL SEAL		pz	1
8	05982005	PIN DOWEL		pz	1
9	05983005	SHIFT PEDAL ASSY		pz	1
10	05737005	BOLT FLANGE		pz	1
11	05985005	OIL SEAL		pz	1
12	05986005	PIN SHIFT		pz	1
13	05987005	ROLLER SHIFT LEVER		pz	1
14	05988005	PAWL SHIFTER		pz	2
15	05989005	SPRING, COMPRESSION		pz	2
16	05990005	PIN PAWL		pz	2
17	05991005	GUIDE, SHIFT		pz	1
18	05992005	BOLT		pz	2



#	Code	Description	Specification	UM	Qty
1	05963005	CAM, SHIFT		pz	1
2	05964005	BEARING		pz	1
3	05965005	BOLT, WITH WASHER		pz	2
4	05966005	PLATE STOPPER		pz	2
5	05967005	STOPPER LEVER ASSY		pz	1
6	05968005	SPRING, TORSION		pz	1
7	05969005	BOLT		pz	1
8	05970005	FORK, SHIFT 1		pz	1
9	05971005	FORK, SHIFT 2		pz	1
10	05972005	FORK, SHIFT 3		pz	1
11	05973005	BAR SHIFT FORK GUIDE 1		pz	1
12	05974005	BAR SHIFT FORK GUIDE 1		pz	1

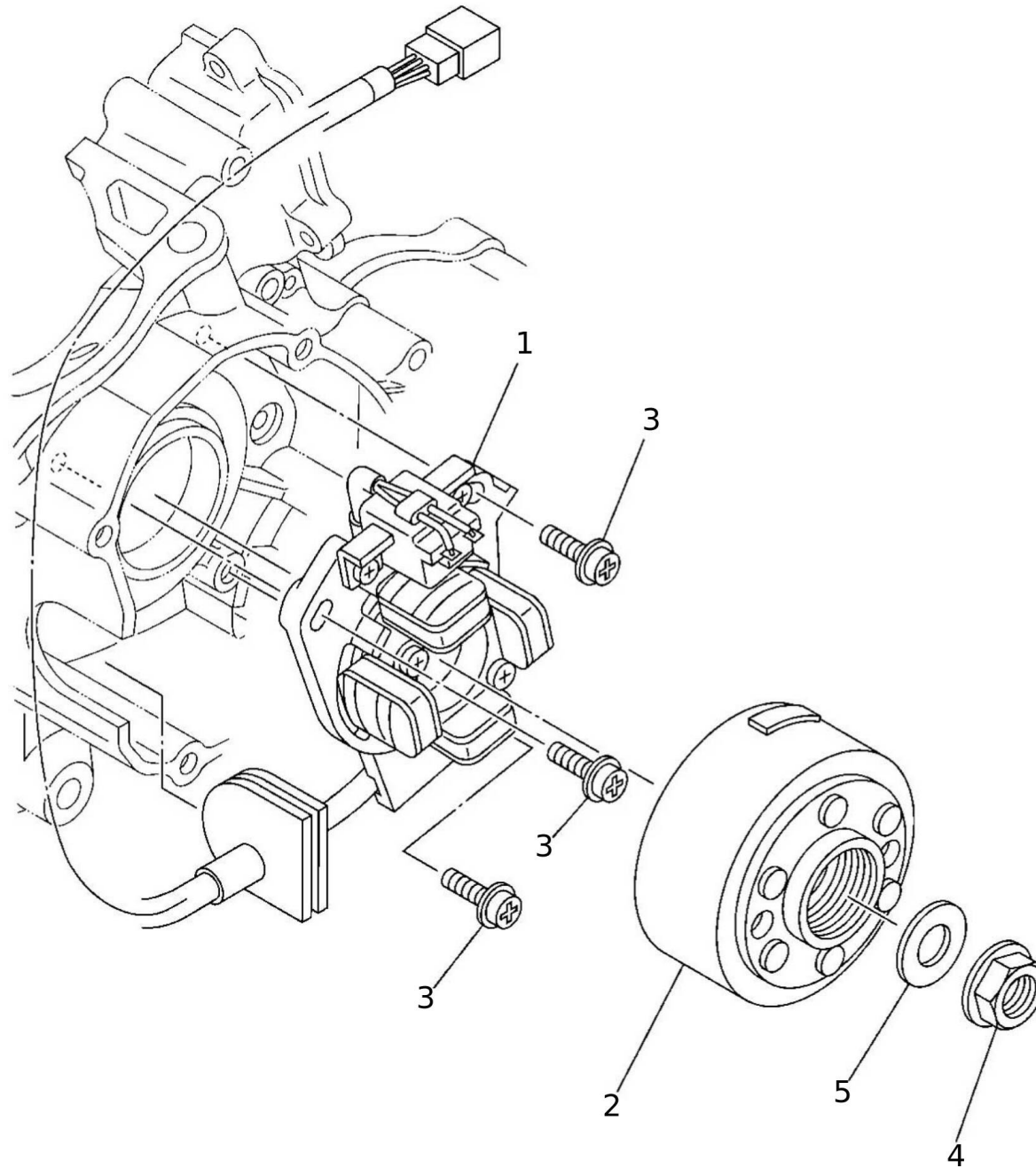


#	Code	Description	Specification	UM	Qty
1	05931005	BEARING		pz	1
2	05932005	PLATE, BEARING COVER		pz	1
3	05933005	SCREW, PAN HEAD		pz	1
4	05934005	AXLE MAIN (13T)		pz	1
5	05935005	GEAR 6TH PINION (21T)		pz	1
6	05936005	WASHER		pz	1
7	01770005	CIRCLIP		pz	2
8	05938005	GEAR 3RD PINION (17T/17T)		pz	1
9	05939005	WASHER		pz	1
10	05940005	GEAR 5TH PINION (20T)		pz	1
11	05941005	INGRANAGGIO MOVENTE 2A MARCIA (15T)		pz	1
12	05942005	BEARING		pz	1
13	05943005	BEARING		pz	1
14	05944005	AXLE DRIVE		pz	1
15	05945005	GEAR 1ST WHEEL (31T)		pz	1
16	05946005	GEAR 6TH WHEEL (23T)		pz	1
17	01770005	CIRCLIP		pz	1
18	05948005	WASHER		pz	1
19	05949005	GEAR 4TH WHEEL (23T)		pz	1
20	05950005	GEAR 3RD WHEEL (27T)		pz	1
21	05951005	GEAR 5TH WHEEL (24T)		pz	1
22	05952005	CIRCLIP		pz	1
23	05953005	WASHER		pz	1
24	05954005	GEAR 2ND WHEEL (29T)		pz	1
25	05955005	BEARING		pz	1
26	05932005	PLATE, BEARING COVER		pz	2
27	05933005	SCREW, PAN HEAD		pz	2
28	05958005	OIL SEAL		pz	1
29	05959005	COLLAR		pz	1
30	05960005	PINION Z13		pz	1
31	05961005	WASHER LOCK	Accessory	pz	1
32	05962005	NUT	Accessory	pz	1
33	07398005	FRONT SPROCKET RUBBER DISC XE	STD XE	pz	1
34	07392005	SPRING	STD XE	pz	1
35	07399005	LOWERED NUT M18x1	STD XE	pz	1
36	07400005	BUSHING	STD XE	pz	1

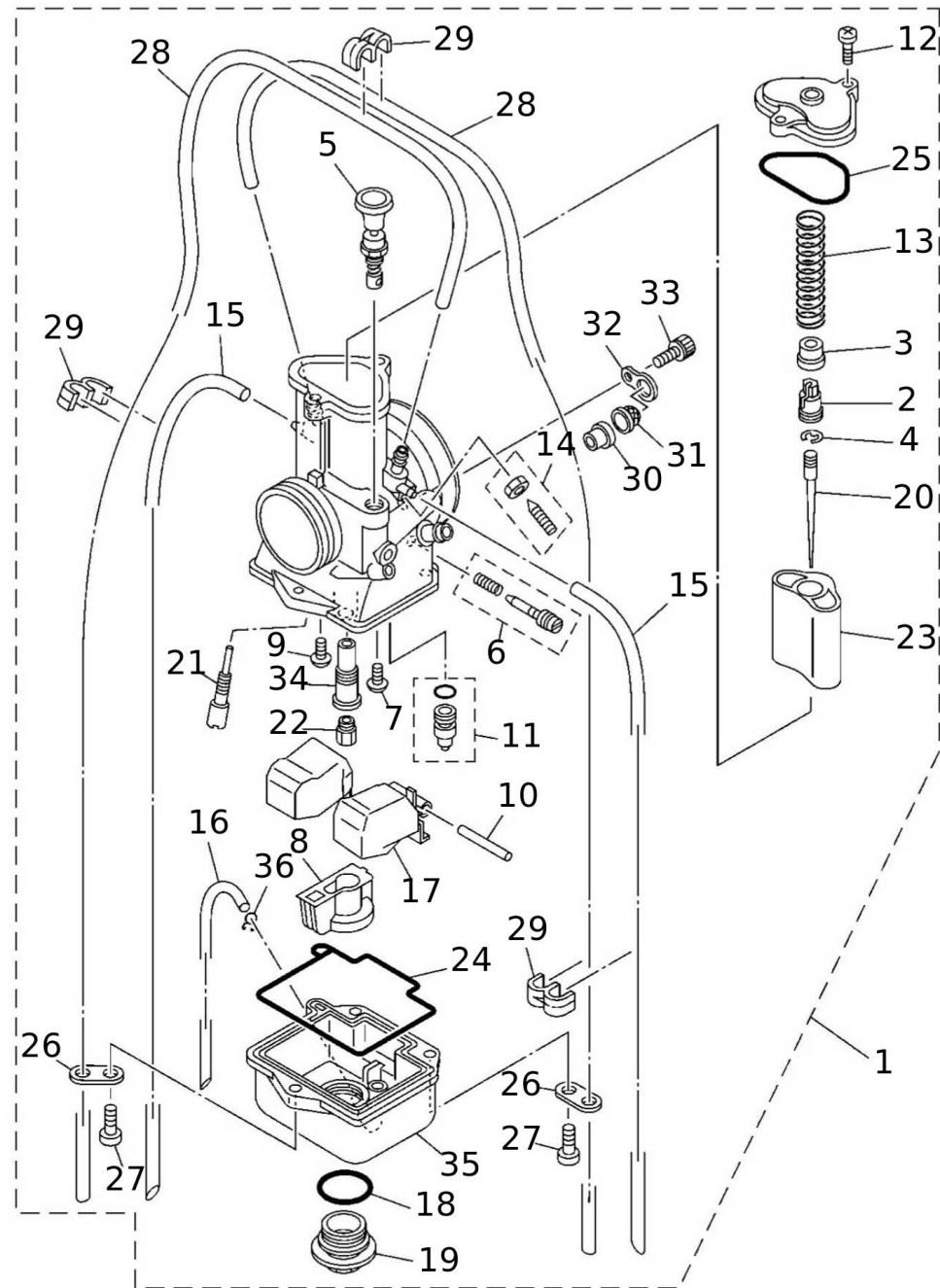


#	Code	Description	Specification	UM	Qty
1	05888005	GEAR KICK IDLE		pz	1
2	05889005	WASHER		pz	1
3	05890005	CIRCLIP		pz	1
4	05891005	KICK AXLE ASSY		pz	1
5	05892005	GEAR KICK		pz	1
6	05893005	CLIP		pz	1
7	05894005	SPRING, TORSION		pz	1
8	05895005	WASHER		pz	1
9	05896005	WASHER		pz	1
10	05897005	OIL SEAL		pz	1
11	05898005	KICK CRANK ASSY		pz	1
12	05899005	BOSS KICK CRANK		pz	1
13	05900005	SPRING, COMPRESSION		pz	1
14	05901005	BALL		pz	1
15	05902005	O-RING		pz	1
16	05903005	SCREW COUNTERSUNK		pz	1
17	05904005	BOLT		pz	1
18	05905005	WASHER PLATE		pz	1





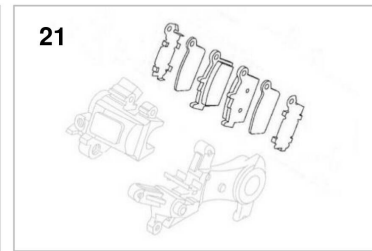
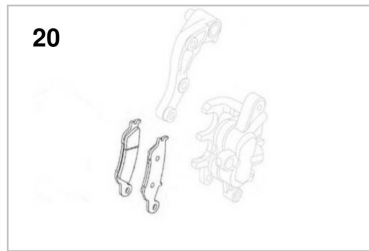
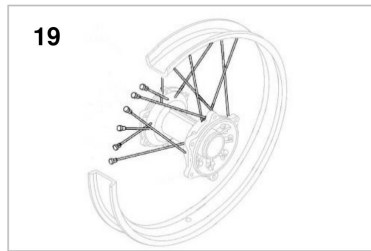
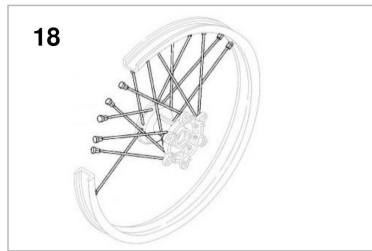
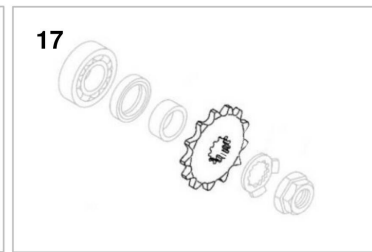
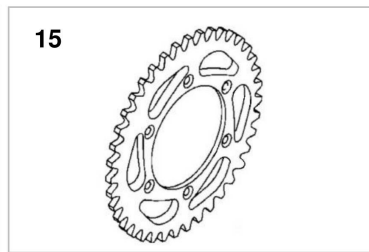
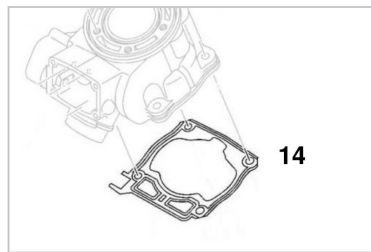
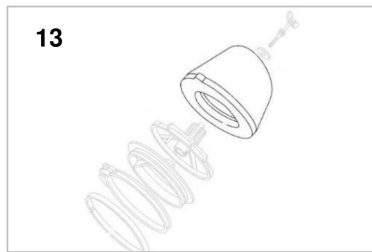
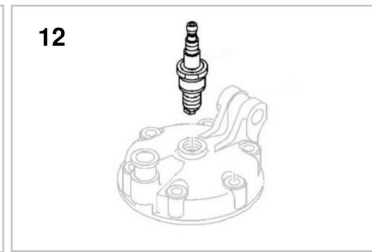
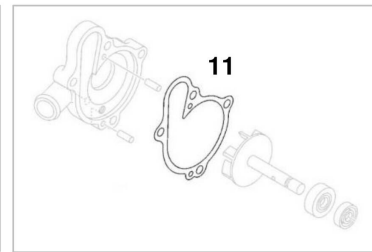
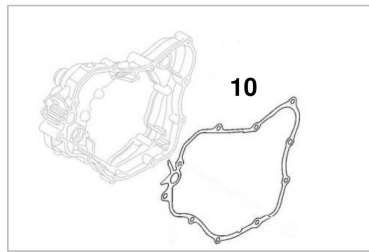
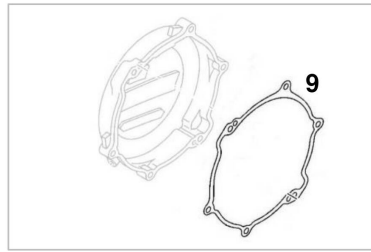
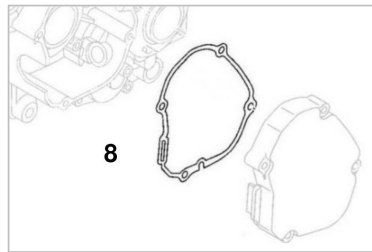
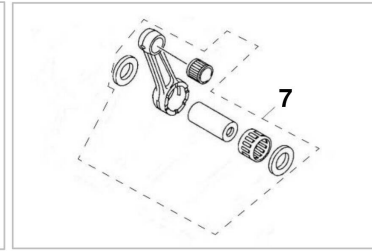
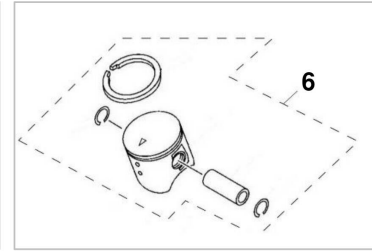
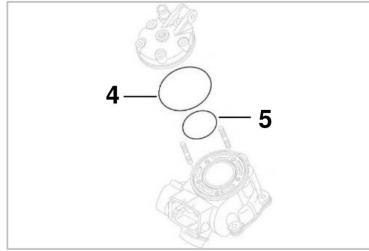
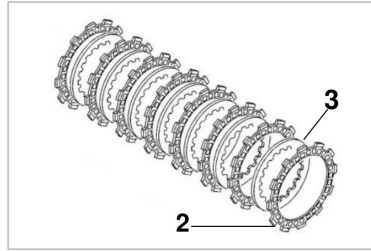
#	Code	Description	Specification	UM	Qty
1	06372005	STATOR ASSY	XX	pz	1
1	07381005	STATOR XE125	XE	pz	1
2	06373005	ROTOR ASSY		pz	1
3	06182005	SCREW		pz	3
4	06375005	NUT		pz	1
5	06376005	WASHER PLATE		pz	1



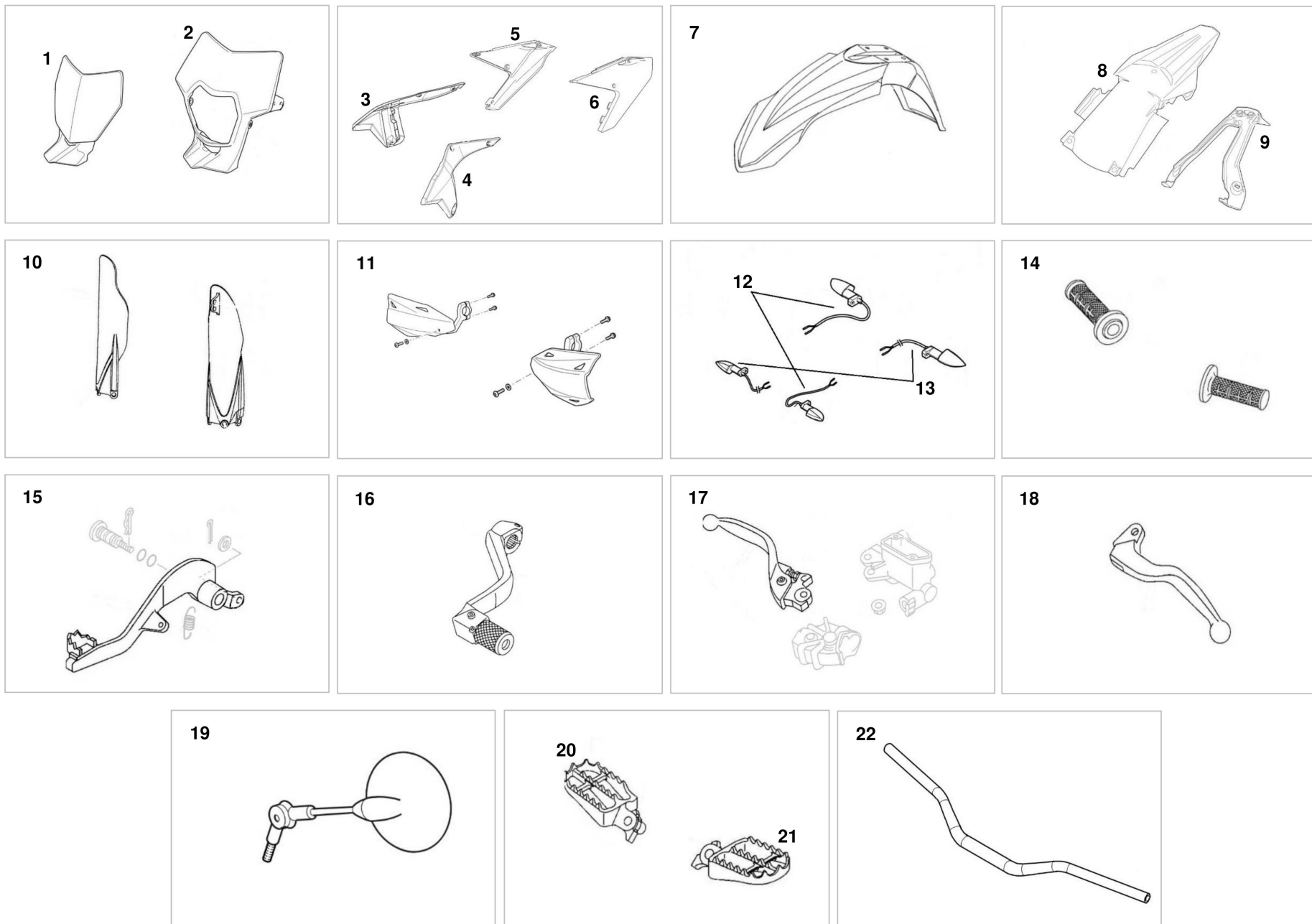
31 - Carburetor (XX-XE 125 2T MY21)

#	Code	Description	Specification	UM	Qty
1	05759005	CARBURETOR ASSY 1	XX	pz	1
1	05825005	CARBURETOR ASSY 1	XE	pz	1
2	05760005	HOLDER		pz	1
3	05761005	RING		pz	1
4	05762005	CLIP		pz	1
5	05763005	PLUNGER STARTER		pz	1
6	05764005	PILOT SCREW SET		pz	1
7	05765005	SCREW		pz	1
8	05766005	HOLDER		pz	1
9	05767005	SCREW PAN HEAD		pz	1
10	05768005	PIN FLOAT		pz	1
11	05769005	SEDE DELLA VALVOLA		pz	1
12	05770005	SCREW PAN HEAD		pz	2
13	05771005	SPRING THROTTLE VALVE		pz	1
14	05772005	THROTTLE SCREW SET		pz	1
15	05773005	TUBE		pz	2
16	05774005	PIPE OVER FLOW	STD	pz	1
17	05775005	FLOAT		pz	1
18	05776005	O-RING		pz	1
19	05777005	PLUG, STRAIGHT SCREW		pz	1
20	05778005	NEEDLE (6BFY43-74)	STD	pz	1
20	05779005	NEEDLE (6BFY42-72)	Accessory	pz	1
20	05780005	NEEDLE (6BFY42-73)	Accessory	pz	1
20	05781005	NEEDLE (6BFY42-74)	Accessory	pz	1
20	05782005	NEEDLE (6BFY42-75)	Accessory	pz	1
20	05783005	NEEDLE (6BFY42-76)	Accessory	pz	1
20	05784005	NEEDLE (6BFY43-72)	Accessory	pz	1
20	05785005	NEEDLE (6BFY43-73)	Accessory	pz	1
20	05786005	NEEDLE (6BFY43-75)	Accessory	pz	1
20	05787005	NEEDLE (6BFY43-76)	Accessory	pz	1
20	05788005	NEEDLE (6BFY44-72)	Accessory	pz	1
20	05789005	NEEDLE (6BFY44-73)	Accessory	pz	1
20	05790005	NEEDLE (6BFY44-74)	Accessory	pz	1
20	05791005	NEEDLE (6BFY44-75)	Accessory	pz	1
20	05792005	NEEDLE (6BFY44-76)	Accessory	pz	1
21	05793005	PILOT JET 45	STD XX	pz	1
21	05794005	PILOT JET 30	Accessory	pz	1
21	05795005	PILOT JET 32.2	Accessory	pz	1
21	05796005	PILOT JET 35	Accessory	pz	1
21	05797005	PILOT JET 37.5	Accessory	pz	1

#	Code	Description	Specification	UM	Qty
21	05798005	PILOT JET 40	Accessory	pz	1
21	05799005	PILOT JET 42.5	Accessory	pz	1
21	05800005	PILOT JET 47.5	Accessory	pz	1
21	05801005	PILOT JET 50	Accessory	pz	1
21	07451005	PILOT JET 20	STD XE	pz	1
22	05802005	MAIN JET 430	Accessory	pz	1
22	05803005	MAIN JET 400	Accessory	pz	1
22	05804005	MAIN JET 410	Accessory	pz	1
22	05805005	MAIN JET 420	Accessory	pz	1
22	05806005	MAIN JET 440	Accessory	pz	1
22	05807005	MAIN JET 450	Accessory	pz	1
22	05808005	MAIN JET 460	Accessory	pz	1
22	05809005	MAIN JET 470	Accessory	pz	1
22	07449005	MAIN JET 480	STD XX	pz	1
22	07450005	MAIN JET 180	STD XE	pz	1
23	05810005	VALVE THROTTLE (4.0)	STD	pz	1
23	05811005	RACING CARB SLIDE (4.25)	Accessory	pz	1
24	05812005	O-RING		pz	1
25	05813005	O-RING		pz	1
26	05814005	PLATE		pz	2
27	05815005	SCREW PAN HEAD		pz	3
28	05816005	TUBE		pz	2
29	05817005	CLIP		pz	3
30	05818005	RING		pz	1
31	05819005	NET FILTER		pz	1
32	05820005	PLATE		pz	1
33	05821005	SCREW		pz	1
34	05822005	HOLDER		pz	1
35	05823005	BODY FLOAT CHAMBER		pz	1
36	05824005	CLIP PIPE		pz	1



#	Code	Description	Specification	UM	Qty
1	06114005	SEAL DUST		pz	1
2	05912005	PLATE FRICTION		pz	8
3	05911005	PLATE CLUTCH 2		pz	7
4	05621005	O-RING		pz	1
5	05620005	O-RING		pz	1
6	06424005	PISTON ASSY (STD)		pz	1
7	06429005	CONNECTING ROD ASSY		pz	1
8	05867005	GASKET CRANKCASE COVER LEFT		pz	1
9	05882005	GASKET CRANKCASE COVER		pz	1
10	05874005	GASKET CRANKCASE COVER RIGHT		pz	1
11	05707005	GASKET HOUSING COVER 2		pz	1
12	05628005	PLUG SPARK (NGK BR9EVX)		pz	1
13	05752005	ELEMENT AIR CLEANER		pz	1
14	05623005	GASKET CYLINDER		pz	1
15	06242005	SPROCKET DRIVEN (48T)	XX	pz	1
15	07413005	REAR SPROCKET 520 Z46 XE 125		pz	1
16	06260005	CHAIN (DID520DMA4K-112LL)	XX	pz	1
16	06268005	CHAIN 520 114 LINKS WITH MASTER JOINT	XE	pz	1
17	05960005	PINION Z13		pz	1
18	06201005	SPOKE SET FRONT		pz	1
19	06236005	SET RAGGI POSTERIORE 19"	XE	pz	1
19	06263005	SPOKE SET REAR	XX	pz	1
20	06219005	BRAKE PAD KIT		pz	1
21	06277005	BRAKE PAD KIT 2		pz	1
22	09225020	KIT MINUTERIE OFF-ROAD		pz	1





#	Code	Description	Specification	UM	Qty
1	07656005	FRONT PLATE NUMBER OFF-ROAD		pz	1
2	07659005	HEADLIGHT FAIRING XE/XEF		pz	1
3	06485005	RIGHT SPOILER XX/XE 2T		pz	1
4	06484005	LEFT SPOILER XX/XE		pz	1
5	06495005	RIGHT SIDE REAR COVER XX/XE		pz	1
6	06494005	LEFT SIDE REAR COVER XX/XE		pz	1
7	05598005	FRONT FENDER OFF-ROAD WHITE		pz	1
8	06498005	REAR FENDER XX/XE		pz	1
8	07385005	REAR FENDER XX/XE		pz	1
9	07387005	LICENSE PLATE HOLDER XE		pz	1
10	07662005	FORK SLIDER PROTECTORS (PAIR)		pz	1
11	02163005	HANDGUARD (WHITE) WITHOUT STICKER		pz	1
12	05121005	DIRECTION INDICATOR FRONT LH / REAR RH	XEF	pz	2
13	05120005	DIRECTION INDICATOR FRONT RH / REAR LH	XEF	pz	2
14	07437005	OFF-ROAD KNOB PAIR		pz	1
15	06330005	PEDAL BRAKE		pz	1
16	05983005	SHIFT PEDAL ASSY		pz	1
17	06323005	LEVER 2		pz	1
18	06378005	LEVER 1		pz	1
19	07407005	REAR-VIEW MIRROR E-141 WITH IRON CLAMP		pz	2
20	06339005	FOOTREST 2		pz	1
21	06338005	FOOTREST 1		pz	1
22	06293005	HANDLEBAR		pz	1